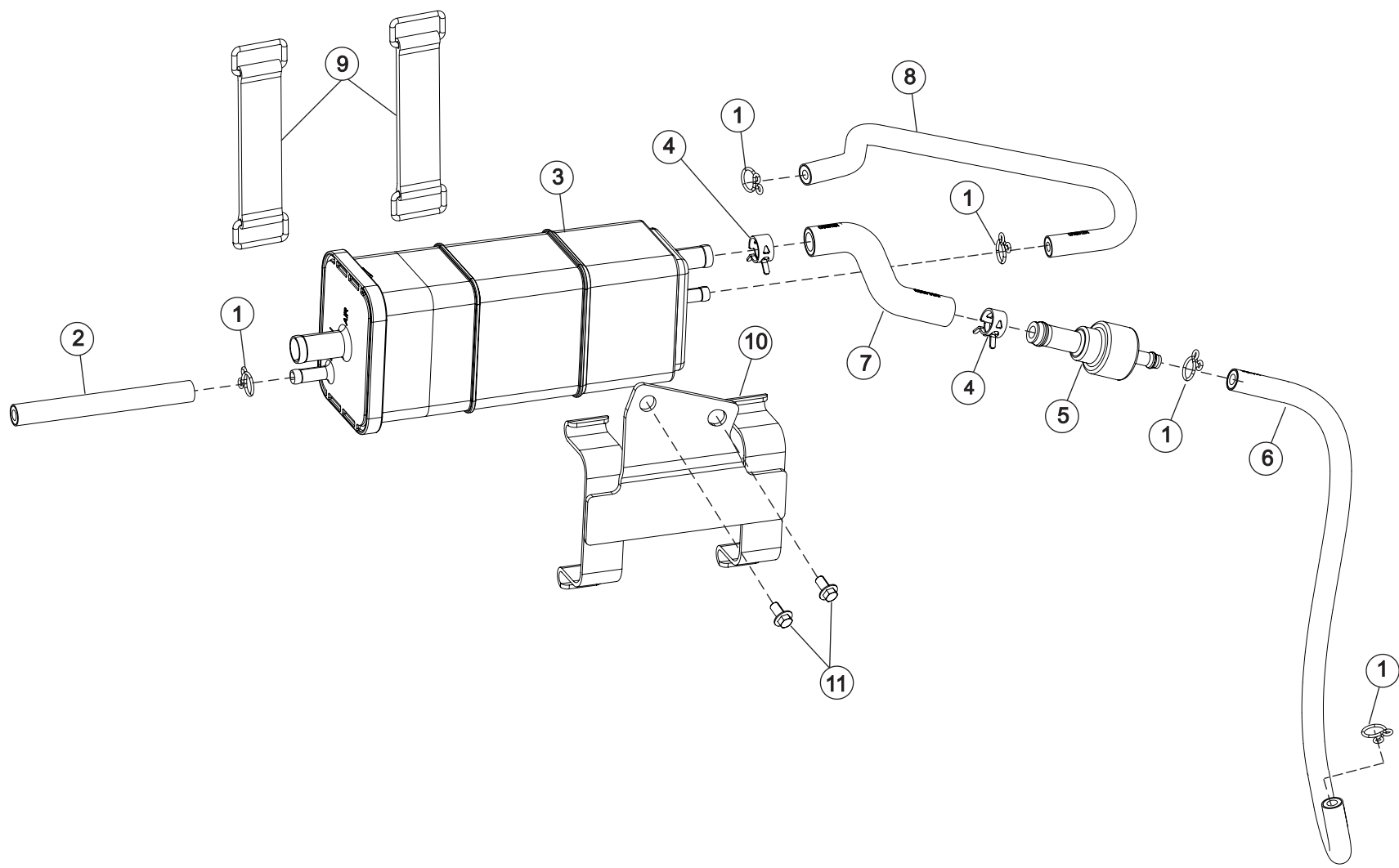


CLUTCH ASSEMBLY

SR. NO.	PART NO.	PART DESCRIPTION	FRT	QTY	
1	T0218BVG0010N	ASSEMBLY, CLUTCH	1.0	1	
2	T0218BUF0400N	HOUSING COMPLETE CLUTCH	1.4	1	
3	T0218BUF0410N	CLUTCH HUB	1.4	1	
4	T0218BUF0370N	DISK CLUTCH FRICTION MIDDLE SPD	1.0	3	
5	T0218BUF0380N	DISK CLUTCH FRICTION END SPD	1.0	2	
6	T0218BUF0390N	PLATE CLUTCH SPD	1.0	4	
7	T0218BUF0420N	PLATE CLUTCH PRESSURE	0.7	1	
8	T0218BUF0430N	SPRING CLUTCH	0.7	5	
9	T0218BUF0440N	BOLT WASHER 6X25	0.7	5	
10	T0218BUF0450N	BEARING BALL RADIAL 6001	0.9	1	
11	T0218BUF0460N	WASHER 20X40X2	1.0	1	
12	T0218BUF0470N	CLUTCH PLATE AND FRICTION DISC KIT	1.0	1	
13	T18050UF0300N	NEEDLE ROLLER BEARING (Ø28*Ø33*17)	1.4	1	
14	T0218BUF0210N	CLUTCH BUSHING E02 (NRB VERSION)	1.4	1	
15	T18010UF0170N	WASHER CONICAL (Ø16.2*Ø27.2*2)	0.7	1	
16	T0218BUF0320N	CLUTCH NUT (M16*1)	0.7	1	
17	T0218BUF0360N	CLUTCH PULL ROD	0.7	1	

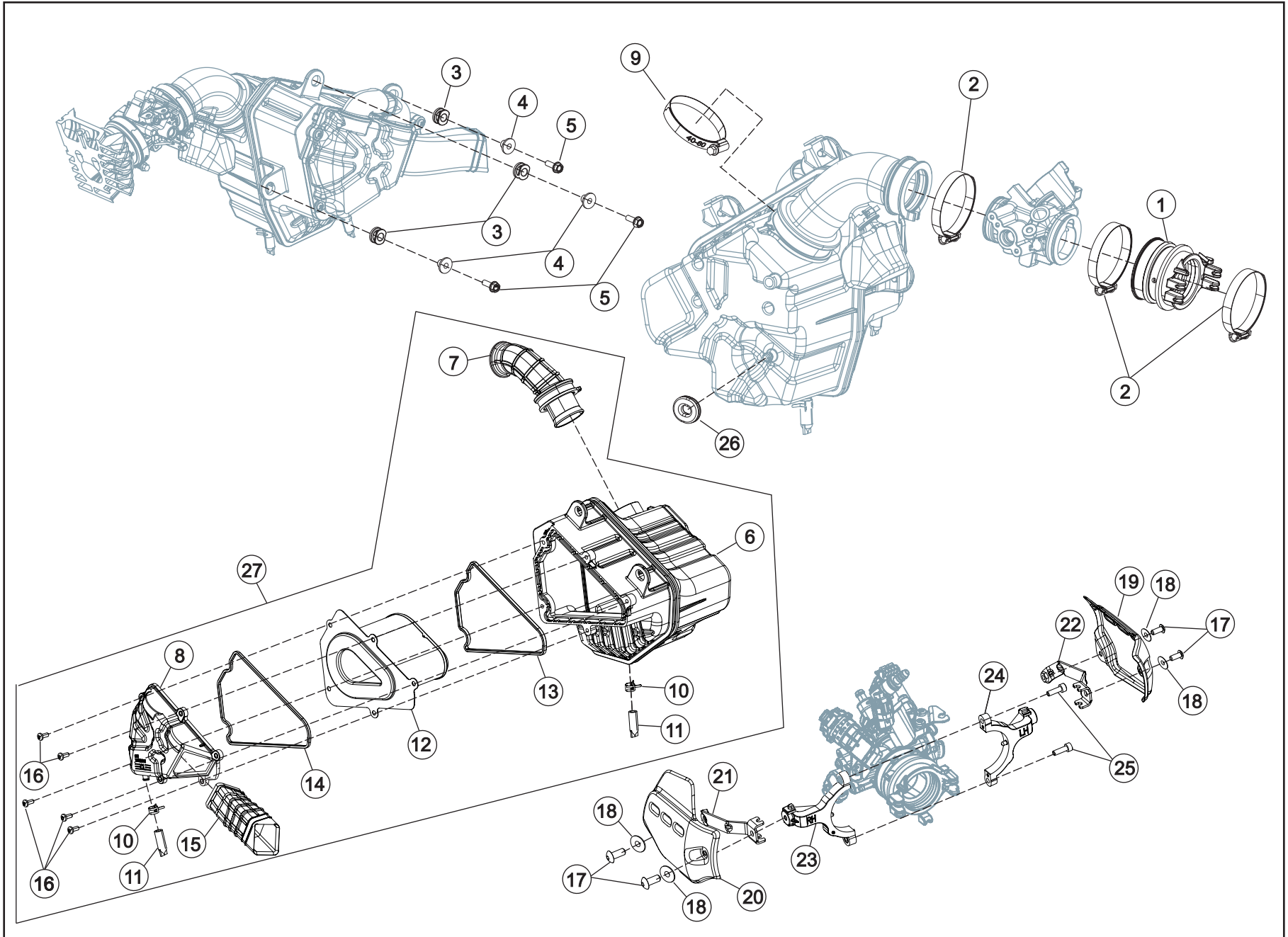
EVAPORATIVE EMISSION SYSTEM



EVAPORATIVE EMISSION SYSTEM

SR. NO.	PART NO.	PART DESCRIPTION	FRT	QTY	
1	95002-02080	CLIP TUBE B8	0.4	4	
2	T10000KW0090N	DRAIN TUBE CANISTER	0.4	1	
3	T10000KE0021N	CARBON CANISTER	0.4	1	
4	T10050KE0100N	SPRING BAND CLAMP DIA 11	0.4	2	
5	T10000KE0031N	CHECK VALVE	0.4	1	
6	T10000KW0120N	HOSE CHECK VALVE TO THROTTLE BODY	0.4	1	
7	T10000KW0110N	HOSE CANISTER TO CHECK VALVE	0.4	1	
8	T10010KW0190N	HOSE ROLLOVER VALVE TO CANISTER	0.4	1	
9	T14010KE0010N	TOOL KIT BAND	0.3	2	
10	T10000KW0070N	BRACKET BS-IV CANISTER MOUNTING LOOSE	0.4	1	
11	SP0906041	FLANGED HEADBOLT M6X12	0.4	2	

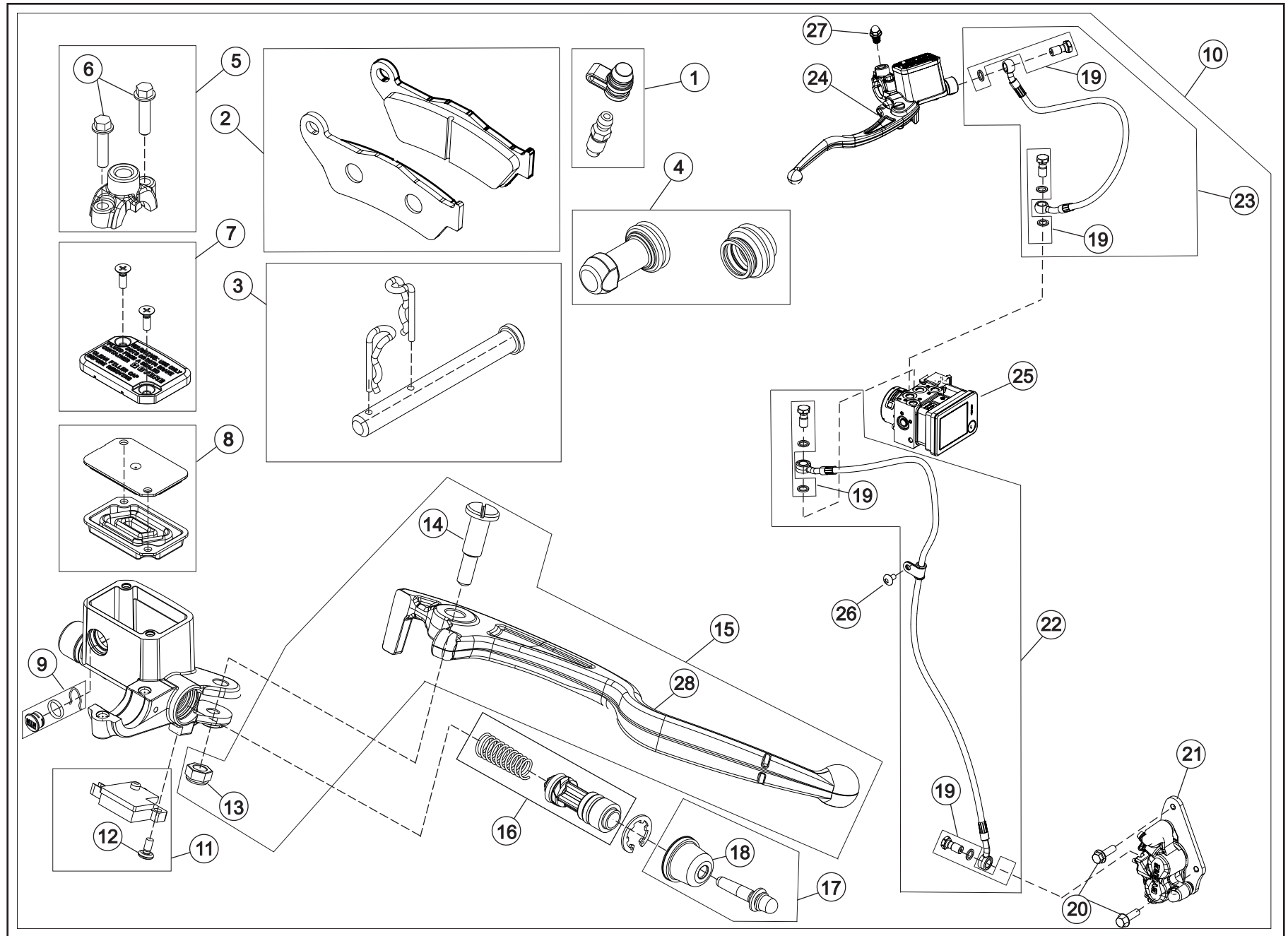
AIR FILTER ASSEMBLY



AIR FILTER ASSEMBLY

SR. NO.	PART NO.	PART DESCRIPTION	FRT	QTY
1	T0101FJ20020N	INLET MANIFOLD	0.5	1
2	SF0700025	CLAMP SPECIAL M60X0.7X9	0.3	3
3	T13160KG0130N	GROMMET STRUCTURE MOUNTING	0.5	3
4	T13160KG0210N	COLLAR FAIRING MOUNTING	0.5	3
5	95801-06018-07	HEX FLANGE BOLT M6*18	0.5	3
6	T01010J30020N	TOP AND BOTTOM CASE ASSEMBLY	0.8	1
7	T01010J30030N	OUTLET DUCT	0.5	1
8	T01010J30070N	INLET COVER ASSEMBLY	0.4	1
9	SF0700042	CLAMP SPECIAL 70X0.65X9	0.2	1
10	T0101AKW0070N	HOSE CLIP	0.2	2
11	T0101AKW0060N	DRAIN TUBE WATER	0.4	2
12	T0102DJ30010N	FILTER ELEMENT ASSEMBLY	0.4	1
13	T01010J30050N	GASKET B	0.4	1
14	T01010J30060N	GASKET A	0.4	1
15	T01010J30080N	INLET DUCT MAIN	0.5	1
16	TSF0212010	SCREW M5	0.5	5
17	SF0212024	SCREW RDSKT M5X0.8X12XA2-70	0.2	4
18	MF01700001300	NYLON WASHER	0.2	4
19	T13010KW0230E	COVER THROTTLE BODY LH MATT BLACK	0.2	1
20	T13010KW0240E	COVER THROTTLE BODY RH MATT BLACK	0.2	1
21	T13010KW0190N	BKT COVER THROTTLE BODY MTG RH	0.2	1
22	T13010KW0180N	BKT COVER THROTTLE BODY MTG LH	0.2	1
23	T13010KW0150N	HOLDER COVER THROTTLE BODY RH	0.2	1
24	T13010KW0140N	HOLDER COVER THROTTLE BODY LH	0.2	1
25	SF0105067	HEX SOC CAP HEAD SCREW M5*16*0.8	0.2	2
26	T13010KT0140N	GROMMET SIDE COVER FRONT	0.2	1
27	T01010J30010N	AIR FILTER BOX ASSY	0.4	1

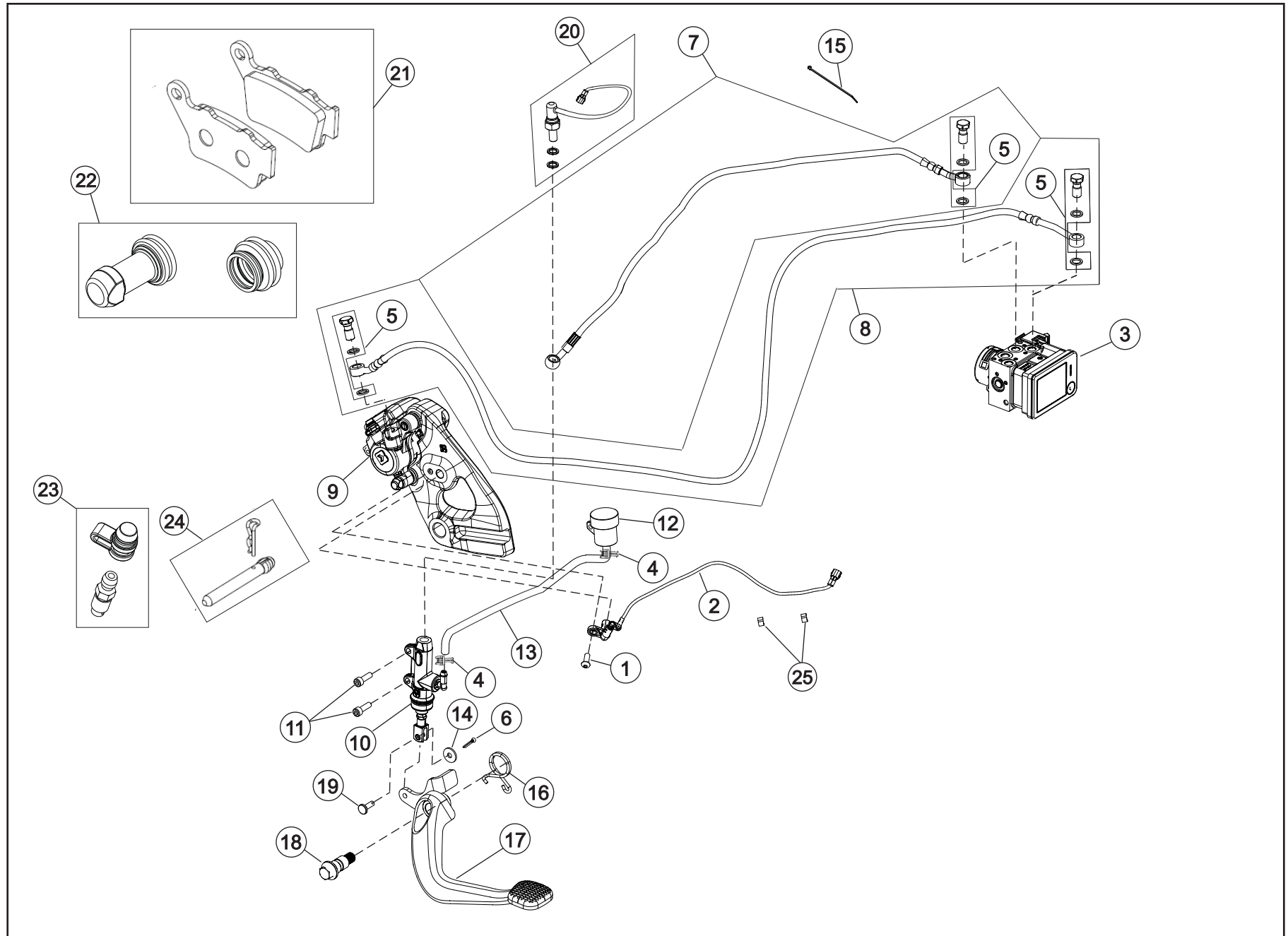
BRAKE SYSTEM - FRONT



BRAKE SYSTEM - FRONT

SR. NO.	PART NO.	PART DESCRIPTION	FRT	QTY	
1	T1901KKW0020N	BLEEDER KIT	0.5	1	
2	T2501BJ30010N	FRONT BRAKE PAD KIT	0.3	1	
3	T1901KKW0030N	PAD SPRING KIT	0.3	1	
4	T1901KKW0060N	BOOT KIT	0.4	1	
5	T1901HKW0060N	MASTER CYLINDER UPPER HOLDER	0.1	1	
6	T1901HKW0050N	BOLT MASTER CYLINDER	0.1	2	
7	T1901HKW0020N	RESERVOIR KIT	0.2	1	
8	T1901HKW0100N	DIAPHRAM KIT	0.2	1	
9	T1901HKW0090N	OIL LEVEL WINDOW KIT	0.3	1	
10	T1901OKW0010N	BRAKE ASSY FRONT COMPLETE	0.8	1	
11	T1901HKW0070N	FRONT BRAKE SWITCH ASSY	0.2	1	
12	T1901HKW0080N	BRAKE SWITCH SCREW	0.1	1	
13	T1901CKW0030N	FRONT BRAKE LEVER NUT	0.1	1	
14	T1901CKW0020N	FRONT BRAKE LEVER BOLT	0.1	1	
15	T2501DJ30020N	FRONT BRAKE LEVER KIT	0.1	1	
16	T1901HKW0030N	MASTER CYLINDER PISTON KIT	0.8	1	
17	T1901KKW0100N	PUSH ROD ASSLY KIT	0.8	1	
18	T1901HKW0110N	RUBBER_MASTER CYLINDER	0.8	1	
19	T1901JKW0020N	BANJO BOLT KIT	0.7	4	
20	SF0102343	BOLT HEX FL M8X1.25X35X8.8	0.2	2	
21	T1901KJ30010N	CALIPER FRONT BRAKE RH J3	0.8	1	
22	T2501HKW0040N	HOSE FRONT ABS TO CALIPER_KIT	0.9	1	
23	T2501HKW0030N	HOSE FRONT M/C TO ABS_KIT	0.9	1	
24	T2501DJ30010N	FRONT MASTER CYLINDER, J3	0.5	1	
25	T2501AKW0021N	WET ABS UNIT_J1 DUAL CHANNEL	0.5	1	
26	SF0212023	SCREW RDSKT M6X1X12XA2-70	0.2	1	
27	T0701CJ30020N	PLUG CAP RH	0.1	1	
28	T2501DJ30030N	BRAKE LEVER, FRONT_J3	0.2	1	

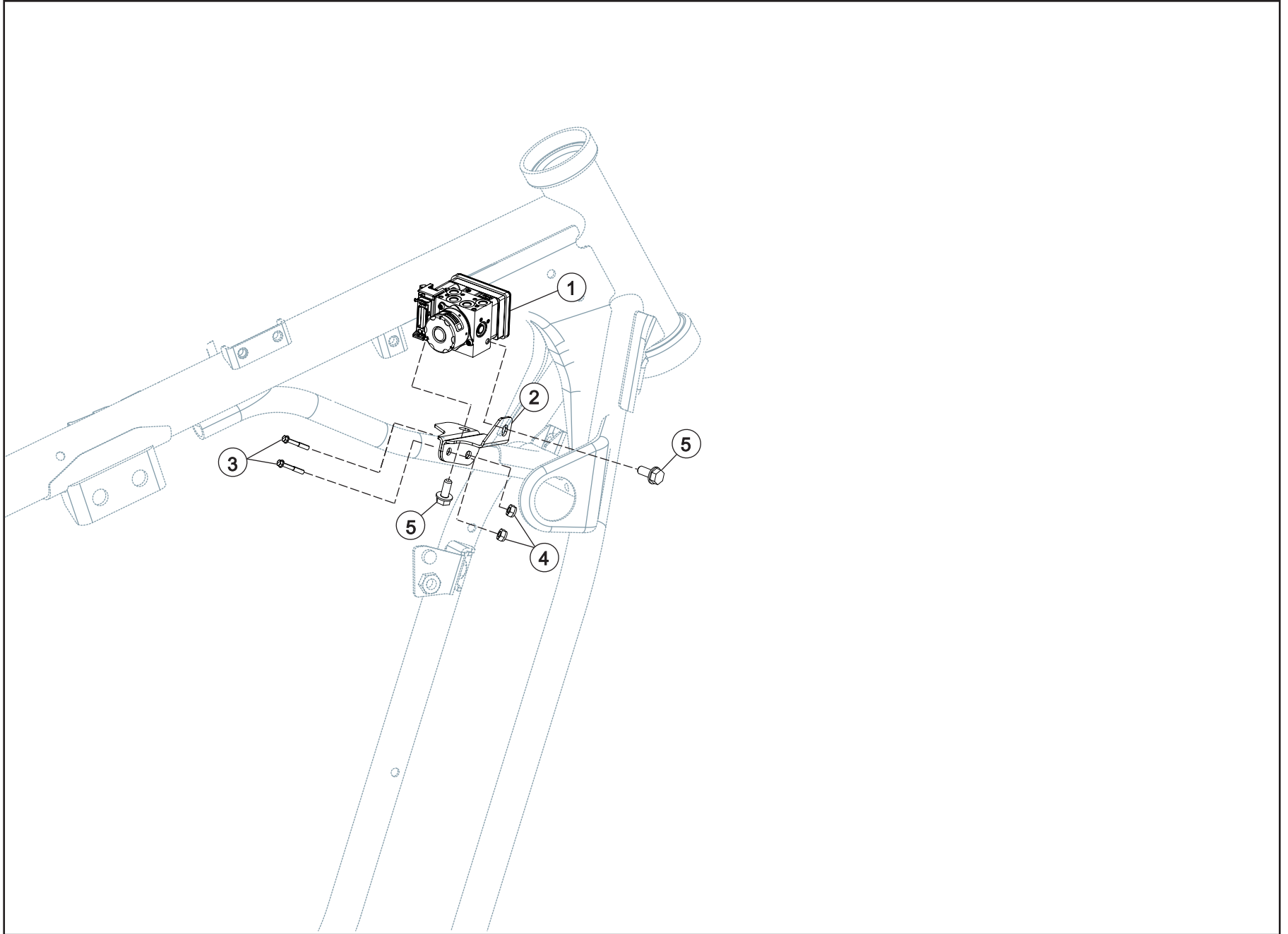
BRAKE SYSTEM - REAR



BRAKE SYSTEM - REAR

SR. NO.	PART NO.	PART DESCRIPTION	FRT	QTY	
1	TSF0224080	SOCKET HEAD SCREW M6x16 BLACK (LOCKTITE)	0.2	1	
2	T0602FKE0010N	SPEED SENSOR FRONT WHEEL_M104	0.6	1	
3	T2501AKW0021N	WET ABS UNIT_J1 DUAL CHANNEL	0.5	1	
4	T25000KW0010N	REAR RESERVOIR HOSE CLIP	0.1	2	
5	T1901JKW0020N	BANJO BOLT KIT	0.7	3	
6	MF01920001500	A02-SPLIT PIN 2 x 16 IS:549	0.2	1	
7	T2501HJ30050N	HOSE, ABS TO REAR MASTER CYLINDER_KIT_J3	0.8	1	
8	T2501HJ30060N	HOSE, ABS TO REAR CALIPER_KIT_J3	0.8	1	
9	T2001CKW0040N	CALIPER ASSY, REAR BRAKE RH	0.8	1	
10	T2001EKE0021N	REAR MASTER CYL ASSY (DIA 12)	0.8	1	
11	TSF0102271	SCREW HEX FL M6X1X18X8.8	0.5	2	
12	T25010KE0030N	RESERVOIR ABS (J101)	0.2	1	
13	T2501EJ30030N	HOSE, RESERVOIR_J3	0.2	1	
14	SF0401213	Washer Plain M6x13x1	0.2	1	
15	T1501AKE2050E	CABLE STRAP 200MM	0.2	4	
16	T20000KW0170N	TORSION RETURN SPRING, REAR BRAKE PEDAL	0.4	1	
17	T20010J30010N	REAR BRAKE LEVER SUB ASSY_J3	0.4	1	
18	T20010KW0100N	PIN PIVOT, REAR BRAKE PEDAL	0.2	1	
19	T25000KE0310N	LOCKING PIN	0.1	1	
20	T2501EKW0020N	REAR MASTER CYL PRESSURE SWITCH KIT	0.5	1	
21	T2001KKW0020N	REAR BRAKE PAD KIT	0.3	1	
22	T2001KKW0040N	BOOT KIT	0.4	1	
23	T2001KKW0010N	BLEEDER SCREW KIT	0.5	1	
24	T2001KKW0030N	PAD PIN KIT	0.2	1	
25	T1501AKW0070N	DOUBLE CABLE CLIP_REV0_L1_A2	0.1	2	

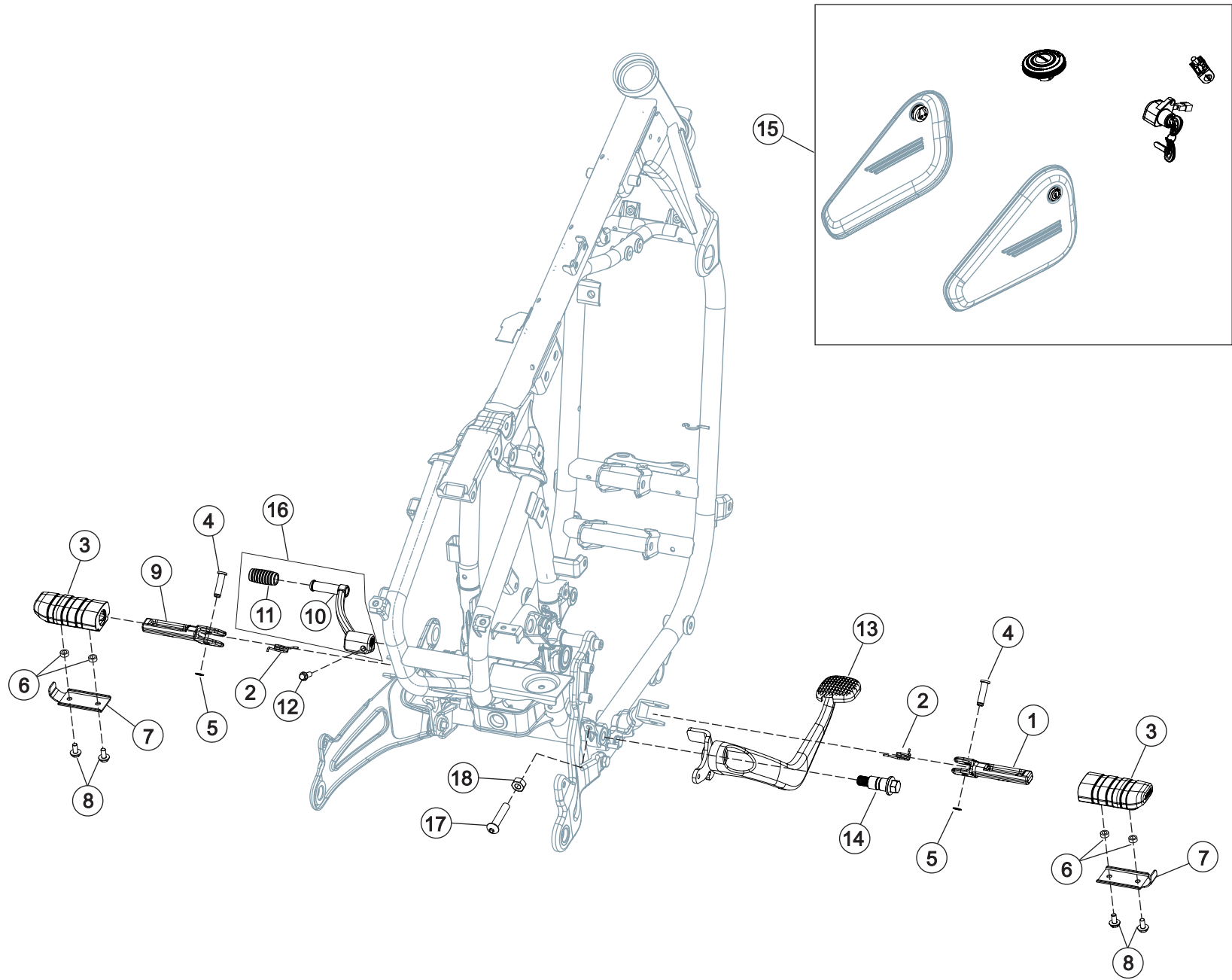
ANTI-LOCK BRAKING SYSTEM (ABS)



ANTI-LOCK BRAKING SYSTEM (ABS)

SR. NO.	PART NO.	PART DESCRIPTION	FRT	QTY	
1	T2501AKW0021N	WET ABS UNIT_J1 DUAL CHANNEL	0.5	1	
2	T08000KW0380N	DUAL CHANNEL ABS MOUNTING BRACKET	0.5	1	
3	SP0906032	FLANGE BOLT SH - M6 X 40	0.2	2	
4	TSF0318007	M6 NYLOC NUT (BLACK)	0.2	2	
5	TSF0102282	FLANGE BOLT M6*14	0.2	2	

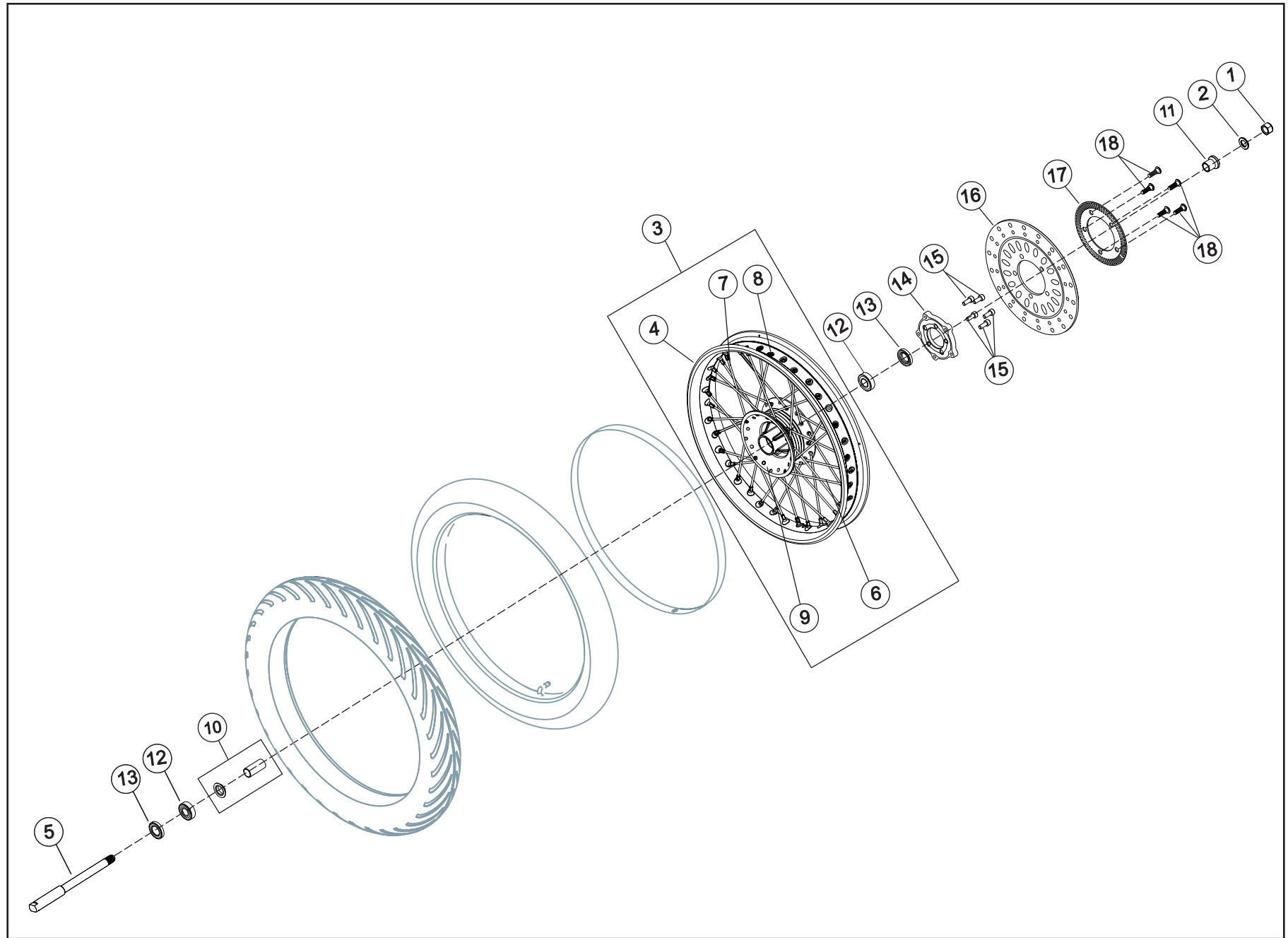
FOOT REST ASSEMBLY/ REAR BRAKE PEDAL/ GEAR SHIFT LEVER / LOCK SET



FOOT REST ASSEMBLY/ REAR BRAKE PEDAL/ GEAR SHIFT LEVER / LOCK SET

SR. NO.	PART NO.	PART DESCRIPTION	FRT	QTY
1	T2201AKW0090N	TUBE FRONT FOOT REST RH	0.3	1
2	T2201AKW0130E	SPRING TORSION RIDER FOOTREST	0.1	2
3	T2201BKW0060N	FOOT REST GRIP	0.3	2
4	T2201AKW0140B	FOOTREST ROD PIVOT	0.1	2
5	MH01890000800	SEEGER DIAMETER 5 UNI 7434	0.2	2
6	T2201AKW0110N	SPACER FOOTREST GRIP	0.2	4
7	T2201AKW0100N	BRACKET FOOTREST GRIP	0.2	2
8	95701-06012-00	BOLTFLANGE6X12(WHITE)	0.2	4
9	T2201AKW0040N	TUBE FRONT FOOT REST LH	0.3	1
10	T0215DKW0020E	GEAR SHIFT LEVER COMPLETE	0.1	1
11	MH00590000400	GRIP GEAR LEVER	0.1	1
12	SP0906029	FLANGE BOLT M6 x 20 (WHITE)	0.2	1
13	T20010J30010N	REAR BRAKE LEVER SUB ASSY_J3	0.4	1
14	T20010KW0100N	PIN PIVOT, REAR BRAKE PEDAL	0.2	1
15	T08000KW0200N	LOCK SET KIT	0.8	1
16	T0215DKW0010E	GEAR SHIFT LEVER ASSLY(SUB ASSEMBLY)	0.2	1
17	TSF0212012	BUTTON HEAD SOCKET SCREW M6X30	0.1	1
18	Sf0301005	NUT HEX M6X1X5X8	0.2	1

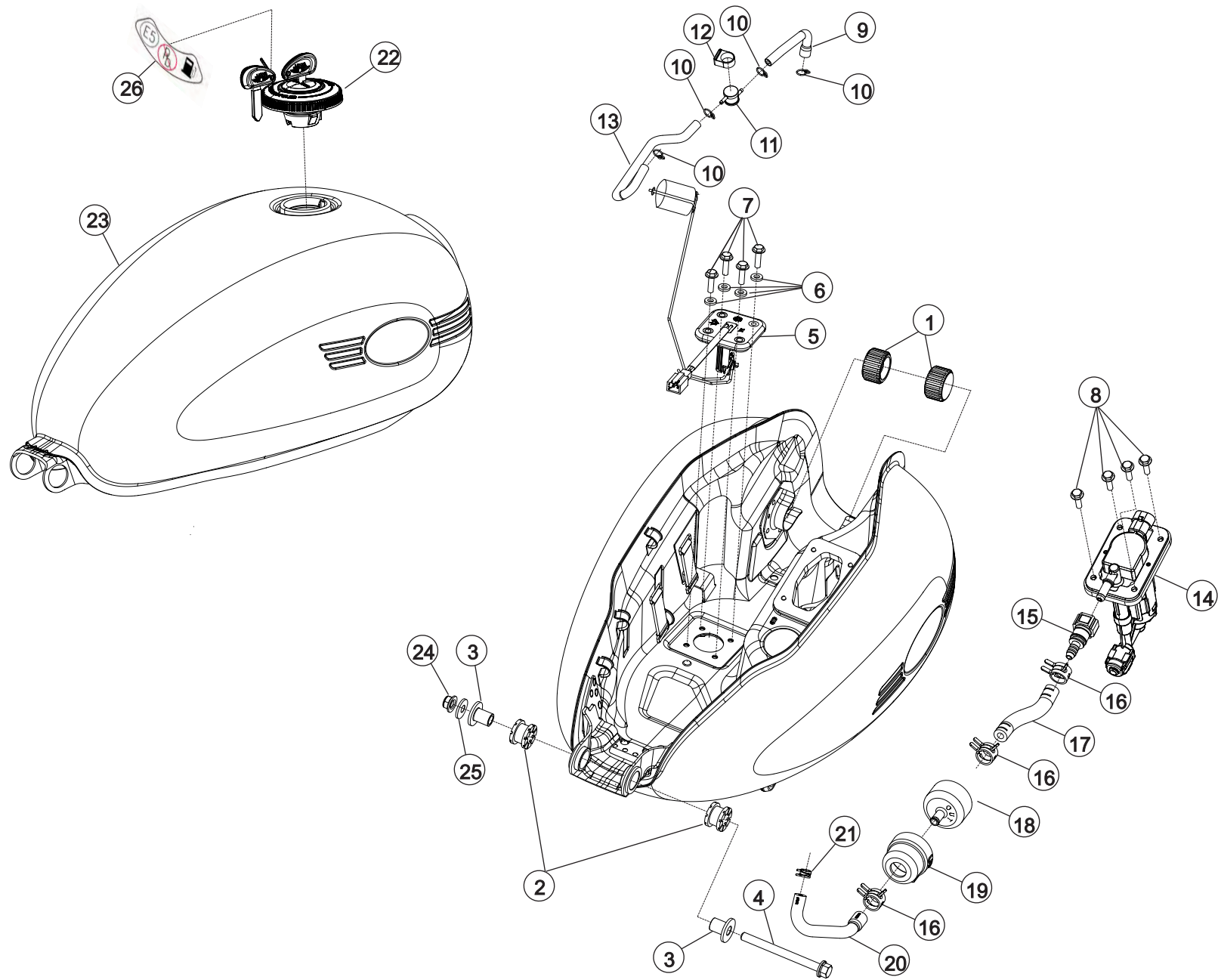
FRONT WHEEL ASSEMBLY



FRONT WHEEL ASSEMBLY

SR. NO.	PART NO.	PART DESCRIPTION	FRT	QTY
1	TSF0318003	SELF LOCK NUT M16	0.2	1
2	TSF0400010	WASHER 16 MM	0.2	1
3	T06010J30020N	RIM ASSY, FRONT, J3	1.0	1
4	T0601AB10010N	ALLOY RIM, SPOKE WHEEL FRONT (MT2.50X18)	1.0	1
5	T0601GKW0020N	AXLE, FRONT WHEEL	0.2	1
6	T0601JJ30010N	INNER SPOKE, FRONT_J3	1.0	18
7	T0601JJ30020N	OUTER SPOKE, FRONT_J3	1.0	18
8	T0601JKW0030D	SPOKE NIPPLE	1.0	36
9	T0601HKW0020E	FRONT WHEEL HUB COMP, MACHINING	1.0	1
10	T0601CKW0050N	SPACER ASSY INNER, FRONT WHEEL	0.2	1
11	T0601CKW0020N	EXTERNAL SPACER RH	0.3	1
12	T0601DKW0021N	WHEEL BEARING 6203 (17x40x12)	0.9	2
13	T0601EKW0021N	FRONT DUST SEAL (A22x40x7)	0.5	2
14	T0601HKW0030E	COUPLER FOR FRONT HUB & DISC, MACHINING	0.6	1
15	SP0308009	SOCKET HEAD SCREW M8X20 (10.9 GRADE)	0.2	5
16	T0601AKW0020N	FRONT DISC (RH, D=280)	0.8	1
17	T0602LKE0010N	TONER WHEEL FRONT	0.6	1
18	SF0200097	SCREW SPECIAL M8X1.25X28XA2-70	0.2	5

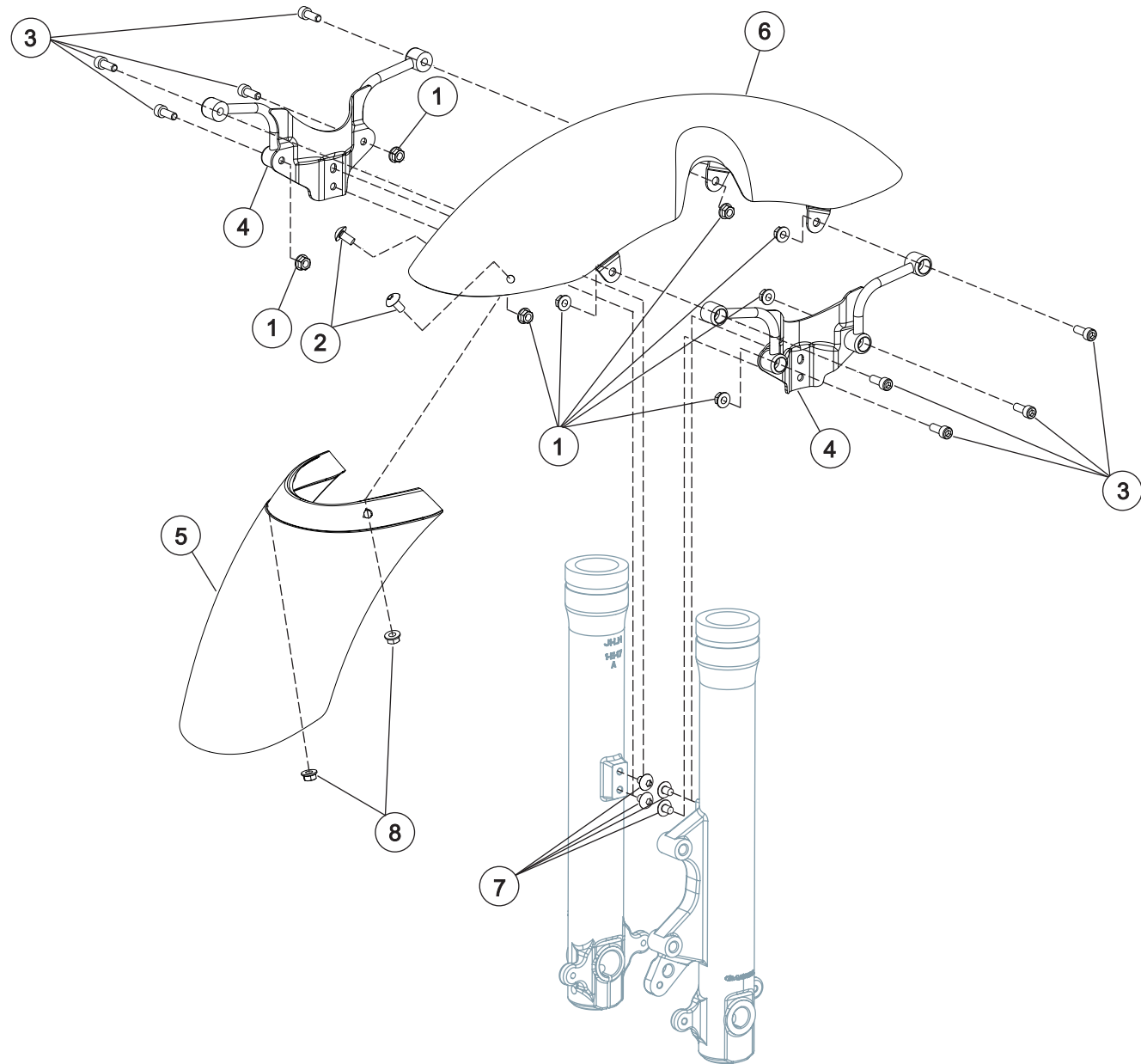
FUEL TANK ASSEMBLY



FUEL TANK ASSEMBLY

SR. NO.	PART NO.	PART DESCRIPTION	FRT	QTY	
1	T10010KW0180N	DAMPER TANK FRONT MOUNTING	0.6	2	
2	T10010J30040N	GROMMET TANK MOUNTING BRACKET REAR	0.6	2	
3	T10000J30010N	COLLAR FUEL TANK MOUNTING	0.6	2	
4	SF0105021	BOLT SOCKET M8X1.25X90X8.8	0.4	1	
5	T1501PKW0010N	FUEL SENSOR UNIT	0.6	1	
6	T10030KM0060N	WASHER (FUEL GAUGE ASSY)	0.5	4	
7	2W_SF0102046	HEX FLANGE BOLT M5X18	0.5	4	
8	TSF0102272	FUEL GAUGE-FLANGE BOLT (M5×12)	0.5	4	
9	T10000KW0100N	HOSE TANK TO ROLLOVER VALVE	0.5	1	
10	95002-02080	CLIP TUBE B8	0.5	4	
11	T10000KW0040N	ROLL OVER VALVE	0.5	1	
12	T10000KW0170N	ROLL OVER VALVE GROMMET	0.5	1	
13	T10010KW0190N	HOSE ROLLOVER VALVE TO CANISTER	0.5	1	
14	T10050KW0010N	FUEL PUMP PLASTIC	0.6	1	
15	T10050KE0050N	QUICK FUEL CONNECTOR 2	0.5	1	
16	T10050KE0030N	SPRING BAND CLAMP DIA 14	0.6	3	
17	T10000KW0020N	FUEL TUBE OUTLET	0.5	1	
18	MH00340000100	FUEL FILTER	0.5	1	
19	MH00900000800	SUPPORT FILTER	0.5	1	
20	T10010KW0140N	FUEL TUBE INLET	0.5	1	
21	T10050KE0100N	SPRING BAND CLAMP DIA 11	0.5	1	
22	T10020KW0050N	FUEL TANK CAP WITH KEY – JAWA J1B	0.1	1	
23	T10010J30100L	FUEL TANK ASSLY E5 MATT CHARCOAL GREY	0.8	1	
24	SF0300075	NUT SPECIAL M8X1.25X17X8	0.4	1	
25	TSF0401129	WASHER M8 (8.4X17X1.6)	0.4	1	
26	T10020KW0020N	FUEL TYPE LABEL STICKER	0.1	1	

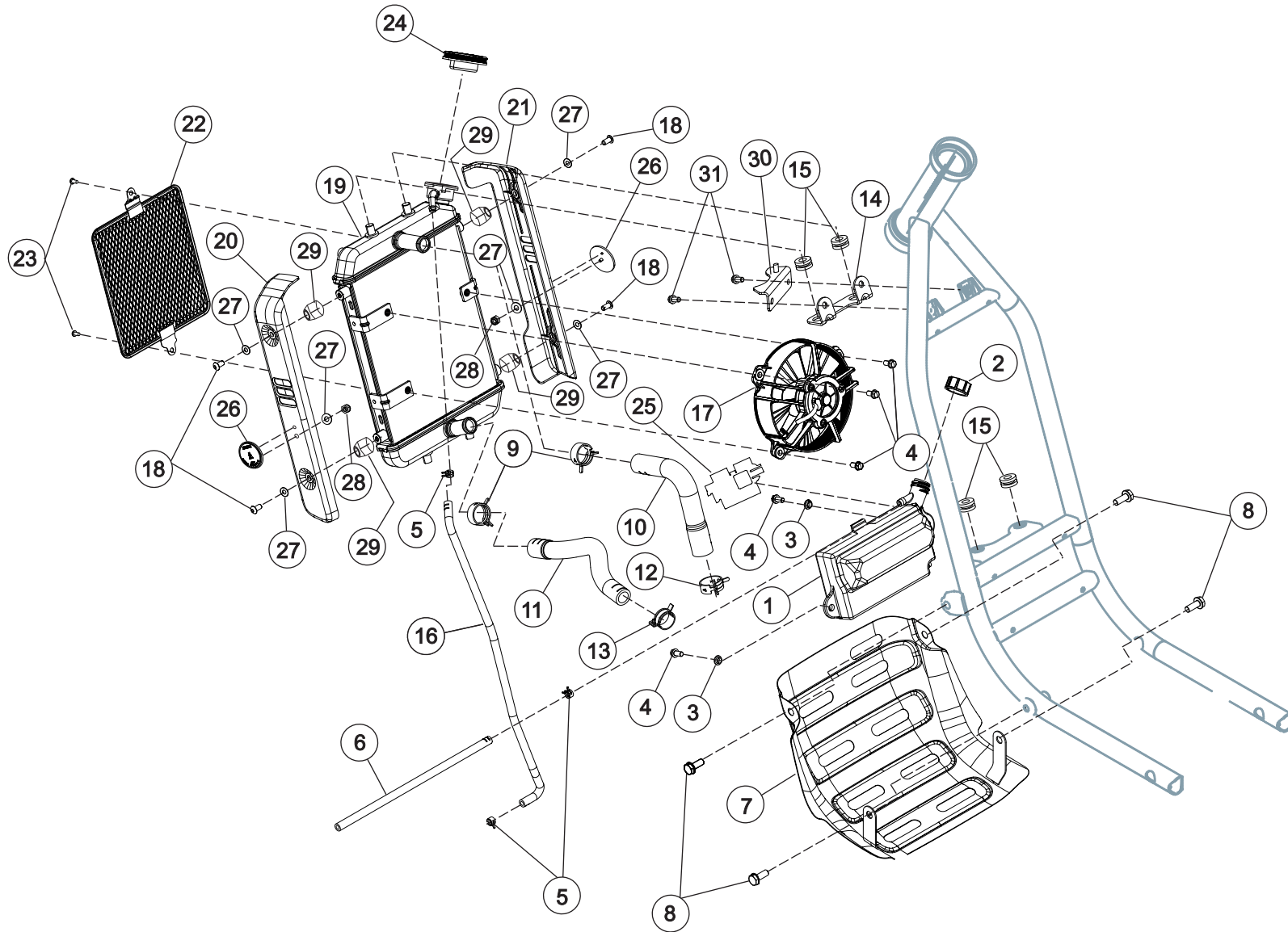
FRONT MUDGUARD ASSEMBLY



FRONT MUDGUARD ASSEMBLY

SR. NO.	PART NO.	PART DESCRIPTION	FRT	QTY	
1	65538380	NUT FLANGE 6 MM	0.3	8	
2	SF0212026	SCREW RDSKT M6X1X12XA2-70	0.2	2	
3	SP0306008	SOCKET HEAD SCREW M6X20	0.2	8	
4	T13060J30030N	FRONT FENDER STAY	0.3	2	
5	T13060J30010N	FRONT FENDER MUD FLAP	0.3	1	
6	T13060J30020L	FRONT FENDER MATT CHARCOAL GREY	0.8	1	
7	SF0212030	SCREW RDSKT M6X1X8X8.8	0.3	4	
8	TSF0318007	M6 NYLOC NUT (BLACK)	0.3	2	

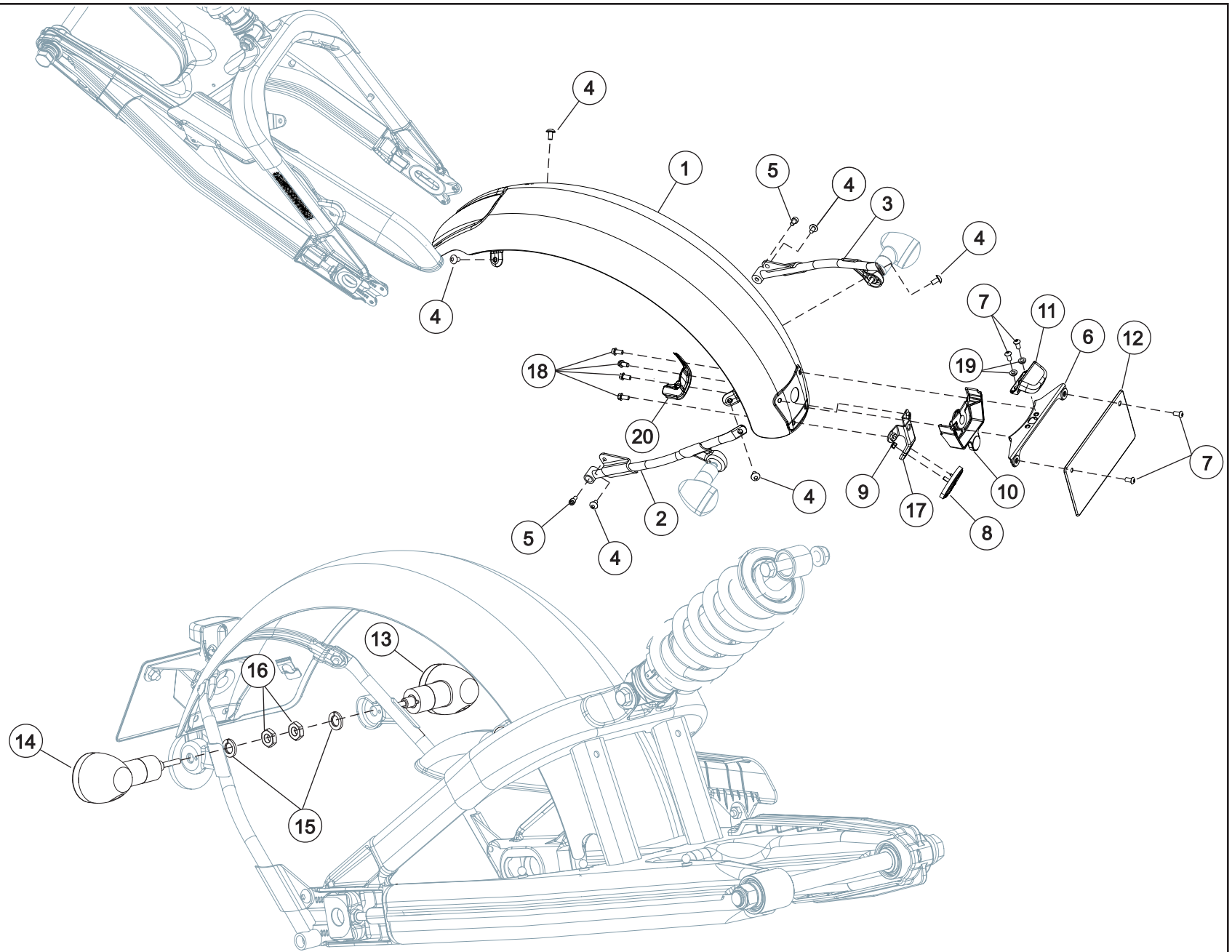
RADIATOR



RADIATOR

SR. NO.	PART NO.	PART DESCRIPTION	FRT	QTY	
1	T0401DKW0010N	TANK RECOVERY - COOLING SYSTEM	0.7	1	
2	T04000KW0130N	CAP COOLANT TANK	0.3	1	
3	MH01790003300	SPACER H=4 FOR M6	0.7	2	
4	SP0906041	FLANGED HEAD BOLT-SH M6X12	0.7	5	
5	T10050KE0100N	SPRING BAND CLAMP DIA 11	0.4	3	
6	T04000KW0060N	HOSE BREATHER RECOVERY TANK	0.8	1	
7	T08000KW0300F	BASH PLATE	0.5	1	
8	SF0202054	SCREW HEX FL SL M8X1.25X20X8.8	0.4	4	
9	T0401DKE0290N	SPRING BAND CLAMP DIA 24	0.8	2	
10	T04000KW0030N	HOSE THERMOSTAT TO RADIATOR	0.8	1	
11	T04000KW0040N	HOSE RADIATOR TO PUMP	0.8	1	
12	T0401DKE0300N	SPRING BAND CLAMP DIA 26MM (BLACK)	0.8	1	
13	SF0705038	CLAMP SPRING BAND 22X12X1.3	0.8	1	
14	T04000KW0090E	UPPER BRACKET RADIATOR LOOSE MATT BLACK	0.4	1	
15	MH01610001700	GROMMET FOR M6	0.4	4	
16	T04000KW0020N	HOSE RADIATOR TO RECOVERY TANK	0.4	1	
17	T0401FJ30010N	RADIATOR FAN J301	0.5	1	
18	SF0212019	SCREW RDSKT M6X1X28XA2-70	0.2	4	
19	T04000KW0010N	RADIATOR SUB ASSEMBLY	0.9	1	
20	T13000KW0030E	COVER RADIATOR LH MATT BLACK	0.2	1	
21	T13000KW0050E	COVER RADIATOR RH MATT BLACK	0.2	1	
22	T0401AKW0010N	GRILL RADIATOR FRONT	0.2	1	
23	TSF0224080	BUTTON HEAD SOCKET SCREW M6X16 BLACK (LOCKTITE)	0.2	2	
24	T0401AKW0020N	PRESSURE CAP	0.1	1	
25	T13200KW0240N	STICKER RECOVERY TANK	0.2	1	
26	T1501FKW0070N	SIDE REFLEX REFLECTOR	0.2	2	
27	TSF0401123	WASHER M5X12	0.2	6	
28	SF0302015	NYLOC NUT M5	0.2	2	
29	T0401BJ30010N	BUSH - RADIATOR	0.2	4	
30	T08010KW0490N	ADD-ON BRACKET FOR STEERING LOCK - EUIV	0.4	1	
31	TSF0102271	HEX FLANGE BOLT M6*18	0.3	2	

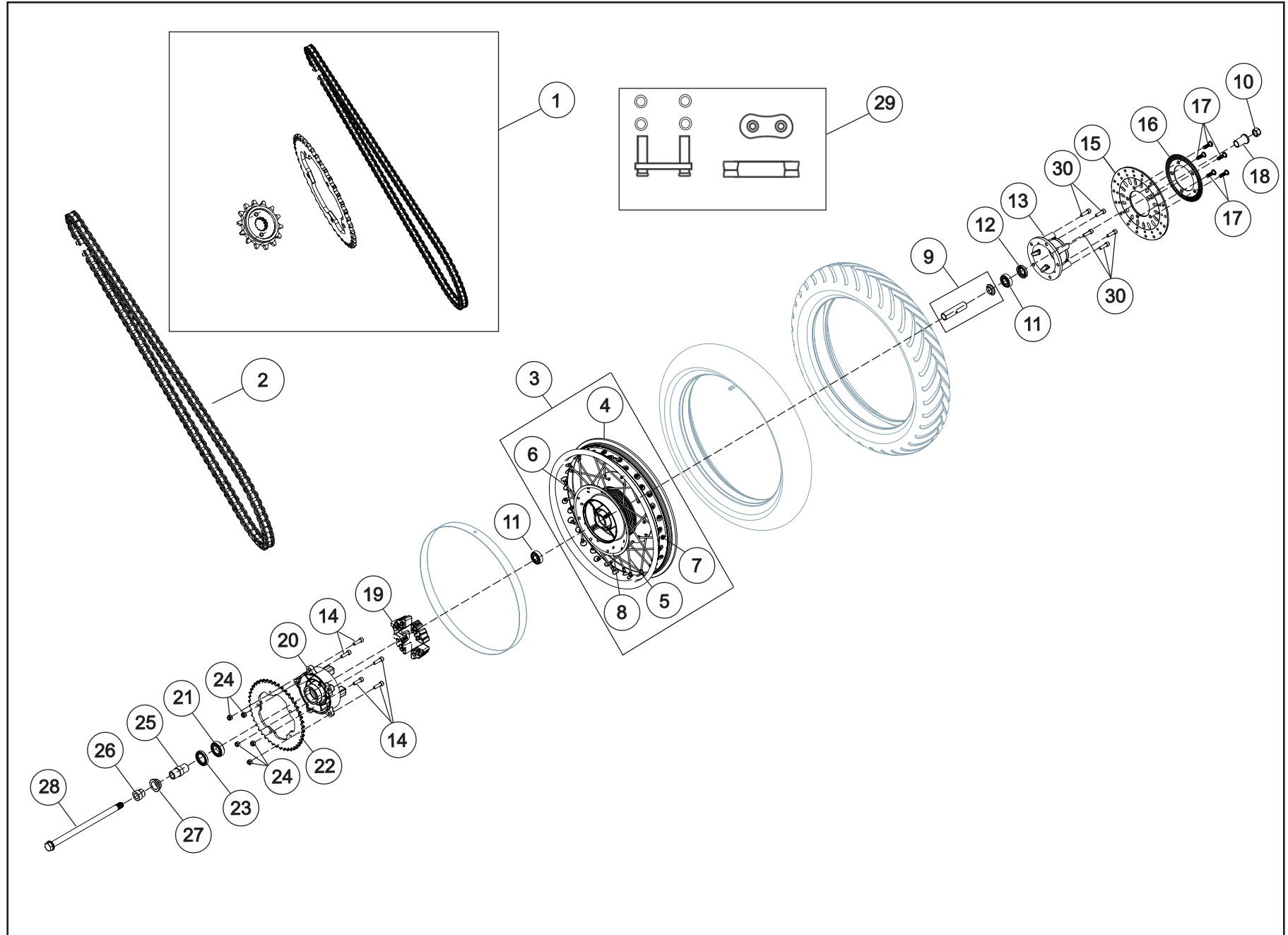
REAR FENDER ASSEMBLY



REAR FENDER ASSEMBLY

SR. NO.	PART NO.	PART DESCRIPTION	FRT	QTY	
1	T13070J30010L	REAR FENDER	0.8	1	
2	T13070J30020N	REAR FENDER STAY LH	0.3	1	
3	T13070J30030N	REAR FENDER STAY RH	0.3	1	
4	SF0212023	SCREW RDSKT M6X1X12XA2-70	0.2	6	
5	SP0306002	HEX SOC HD CAP SCREW (M6X1.0PX25L)	0.2	2	
6	T13070KW0100W	REAR NUMBER PLATE MTG BKT GLOSSY BLACK	0.4	1	
7	SF0212026	M6X1X12XA2-70	0.2	4	
8	T1501FKW0060N	REAR REFLEX REFLECTOR	0.3	1	
9	SF0302015	NYLOC NUT M5	0.2	1	
10	T15000KW0040N	REAR MUDGUARD COUPLER	0.2	1	
11	T1501TKW0010N	LICENSE LAMP ASSEMBLY	0.4	1	
12	T14000AB0430B	NUMBER PLATE, REAR	0.2	1	
13	T1501GKW0030E	TURN SIGNAL INDICATOR_REAR LH	0.3	1	
14	T1501GKW0040E	TURN SIGNAL INDICATOR_REAR RH SPRING WASHER	0.3	1	
15	93910007	B10 IS:3063	0.3	2	
16	SF0301023	NUT HEX M10X1.25X5X8XZN	0.3	2	
17	T13070KW0110W	REFLEX REFLECTOR MTG BKT BLACK GLOSSY	0.4	1	
18	95701-06012-00	BOLTFLANGE6X12(WHITE)	0.2	4	
19	MH01790003300	SPACER H=6 FOR M6	0.2	2	
20	T13070J30090N	REAR FENDER WIRING ROUTING BRACKET	0.2	1	

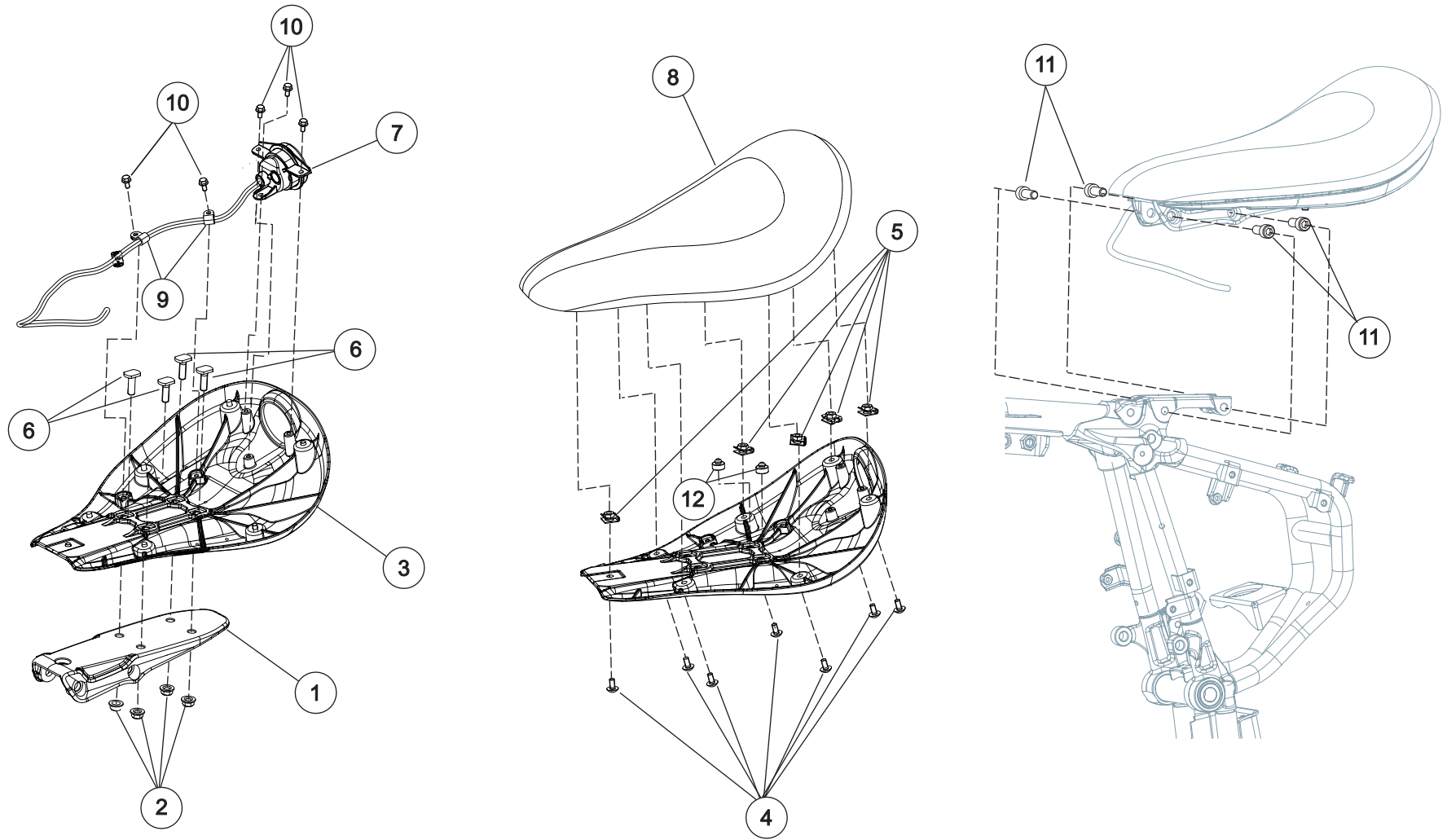
REAR WHEEL ASSEMBLY



REAR WHEEL ASSEMBLY

SR. NO.	PART NO.	PART DESCRIPTION	FRT	QTY	
1	T0215GJ30010N	KIT DRIVE CHAIN SPROCKET - J301	1.6	1	
2	T14080J30010N	CHAIN, FINAL DRIVE - 114 LINKS	1.2	1	
3	T12010J30010N	RIM ASSEMBLY, REAR, J3	0.9	1	
4	T1201KB10010N	ALLOY RIM, REAR SPOKE WHEEL (4.25x17)	2.0	1	
5	T1201KJ30010N	INNER SPOKE, REAR_J3	2.0	18	
6	T1201KJ30020N	OUTER SPOKE, REAR_J3	2.0	18	
7	T0601JKW0030D	SPOKE NIPPLE (YELLOW)	2.0	36	
8	T1201HKW0020E	REAR WHEEL HUB FOR DISC, MACHINING_J1	2.0	1	
9	T1201CKW0050N	SPACER ASSY INNER, REAR WHEEL	0.7	1	
10	TSF0318003	SELF LOCK NUT M16	0.2	1	
11	T0601DKW0021N	WHEEL BEARING 6203 (17x40x12)	1.0	2	
12	T0601EKW0021N	FRONT DUST SEAL (A22x40x7)	0.6	1	
13	T1201HKW0030E	COUPLER FOR REAR HUB & DISC, MACHINING	0.6	1	
14	SP0308023	SOCKET HEAD SCREW M8X28	0.2	5	
15	T2501GKW0010N	REAR DISC (RH, D=240)	0.8	1	
16	T0602LKE0010N	TONER WHEEL FRONT	0.6	1	
17	SF0200097	SCREW SPECIAL M8X1.25X28XA2-70	0.6	5	
18	T1201CKW0060N	SPACER REAR WHEEL (RH SIDE)_J1 REAR DISC	0.3	1	
19	MH01270000500	CUSH DRIVE	0.8	4	
20	T12010KW0040E	CUSH DRIVE HOUSING, MACHINED	0.8	1	
21	T1201DKW0031N	CUSH DRIVE HOUSING BEARING 6005(25X47X12)	0.8	1	
22	T1201MKW0010N	CHAIN SPROCKET (REAR 45T)	0.8	1	
23	T1201EKW0021N	REAR LH DUST SEAL A31x47x7	0.6	1	
24	MH01680001700	SELF-TAPPING NUT FOR M8 (WHITE)	0.8	5	
25	T1201CKW0080N	SPACER CUSH DRIVE HOUSING RH	0.6	1	
26	T1201CKW0070N	SPACER CUSH DRIVE HOUSING LH	0.3	1	
27	T1201CKW0020N	SPACER REAR WHEEL (LH SIDE)	0.4	1	
28	SF0100083	BOLT SPECIAL M16X1.5X305X10.9	0.3	1	
29	T14000KE0180N	CHAIN LINK KIT	0.6	1	
30	SP0308023	SOCKET HEAD SCREW M8X28 (WHITE)	0.4	5	

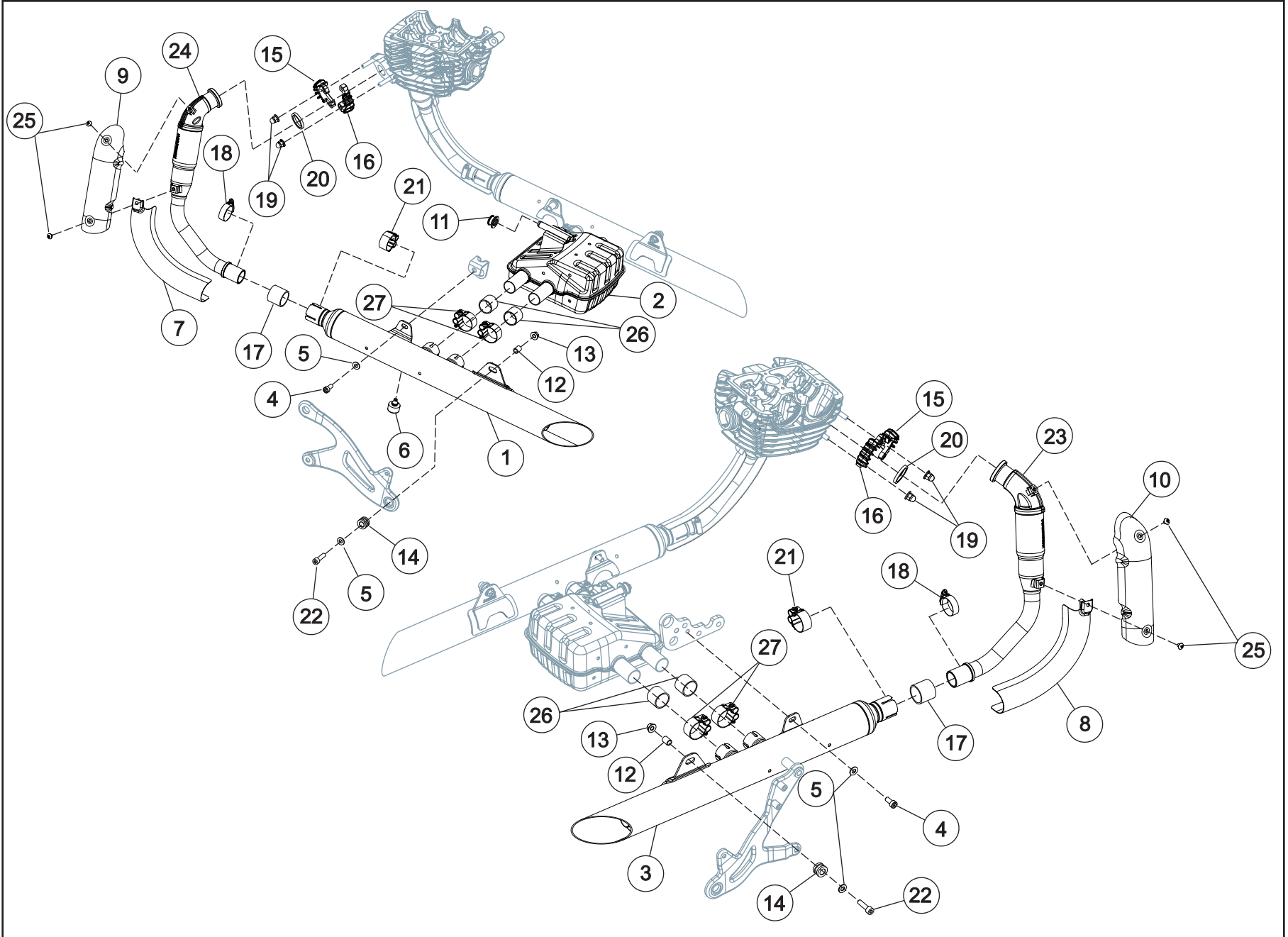
SEAT AND TAIL LAMP ASSEMBLY



SEAT AND TAIL LAMP ASSEMBLY

SR. NO.	PART NO.	PART DESCRIPTION	FRT	QTY	
1	T09000J30010N	SEAT MOUNTING BRACKET	0.6	1	
2	TSF0318005	SELF LOCK NUT M8	0.4	4	
3	T0901AJ30020N	SEAT PAN	0.4	1	
4	SF0212023	SCREW RDSKT M6X1X12XA2-70	0.5	7	
5	90305-GK8-0001	CLIP NUT 6MM (BLACK)	0.5	6	
6	T09000J30030N	SEAT MOUNTING STUD	0.5	4	
7	T1501EJ30010N	TAIL LAMP - J301	0.5	1	
8	T09010J30020N	SEAT ASSEMBLY	0.5	1	
9	T1501AJ30030N	WIRING HOLDER CLAMP	0.4	2	
10	SF0102080	FLANGE BOLT M5X10	0.4	5	
11	SF0224168	SOCKET HEAD SCREW M10X25L	0.2	4	
12	T0901EKE1910N	SEAT DAMPER 9 MM	0.6	2	

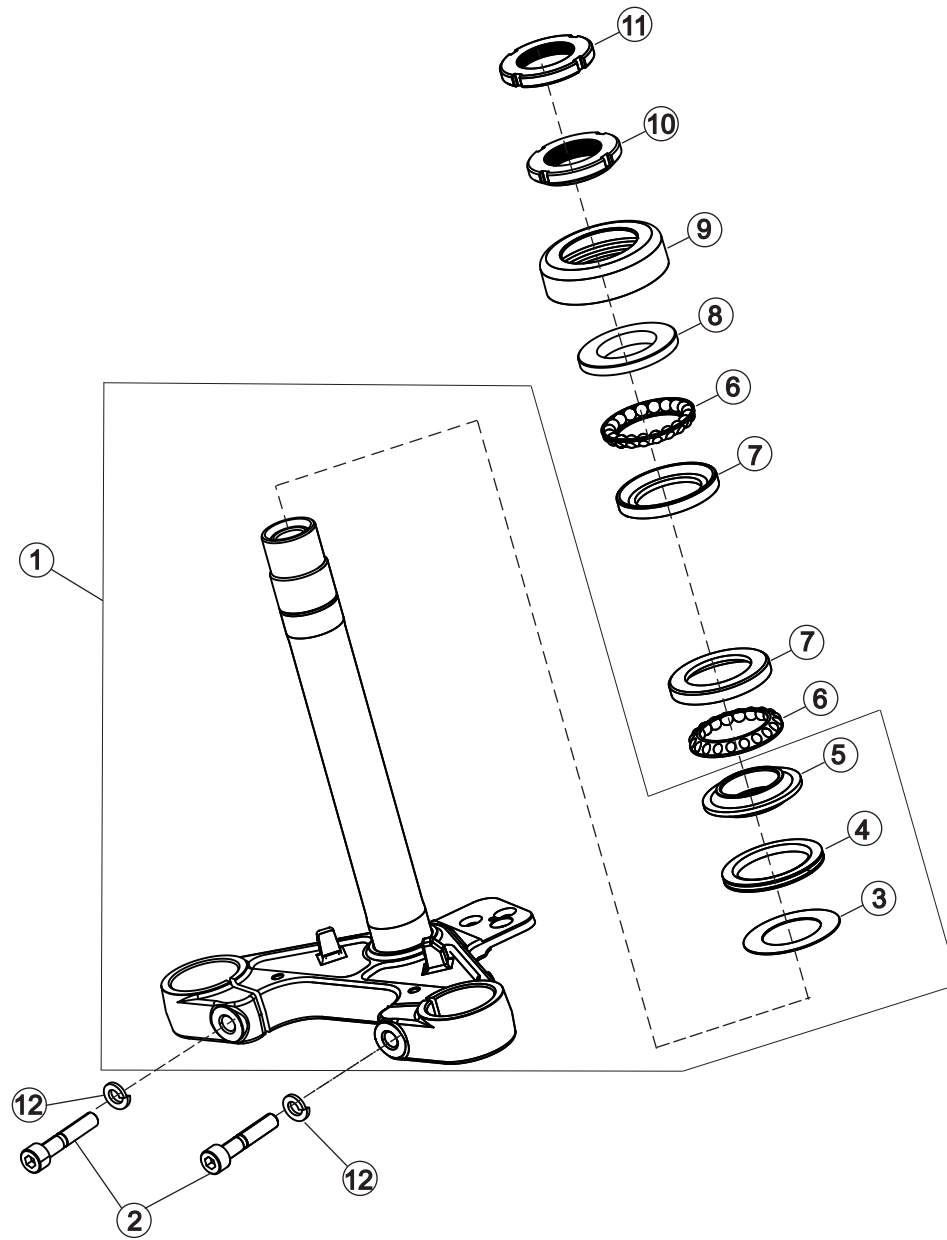
SILENCER ASSEMBLY



SILENCER ASSEMBLY

SR. NO.	PART NO.	PART DESCRIPTION	FRT	QTY
1	T0302AJ30310N	BODY MUFFLER ASSY LH	1.0	1
2	T0302AJ30300N	EXPANSION CHAMBER ASSY	1.0	1
3	T0302AJ30360N	BODY MUFFLER ASSY RH	1.0	1
4	SP0224002	SOCKET HEAD SCREW M8X18 (BLACK)	0.1	2
5	TSF0401129	WASHER M8 (8.4X17X1.6)	0.1	4
6	T0901HAE1900N	RUBBER STOPPER FOR MAIN STAND	0.2	1
7	T0302BJ30020N	STYLE SHIELD BOTTOM LH	0.4	1
8	T0302BJ30010N	STYLE SHIELD BOTTOM RH	0.4	1
9	T03000KW0540E	STYLE SHIELD TOP LH	0.4	1
10	T03000KW0550E	STYLE SHIELD TOP RH	0.4	1
11	T0302CJ30030N	GROMMET GUIDE SUPPORT	1.0	1
12	T0302CKU0030N	SLEEVE SILENCER MOUNTING REAR (M102)	0.2	2
13	SF0303059	NUT HEX FL PR M8X1.25X8X8	0.2	2
14	T0302CKU0020N	GROMMET SILENCER MOUNTING REAR (M102)	0.2	2
15	T0304CKW0070E	EXHAUST FLANGE BOTTOM	0.2	2
16	T0304CKW0060E	EXHAUST FLANGE TOP	0.2	2
17	T0302BKE0450N	GASKET	1.0	2
18	SF0703002	HOSE CLIP W M35X0.7X12.7XSS PL	0.8	2
19	Sf0300075	NUT SPECIAL M8X1.25X17X8	0.2	4
20	T0304BKW0010N	EXHAUST GASKET	0.5	2
21	T0302CKW0250N	EXHAUST CLAMP M40	0.5	2
22	SP0308023	SOCKET HEAD SCREW M8X28	0.1	2
23	T03000J30050N	HEADER PIPE RH ASSY	1.0	1
24	T03000J30040N	HEADER PIPE LH ASSY	1.0	1
25	SP0705003	SCREW TBEI M5X8 UNI-ISO 7380	0.4	4
26	T0304BKW0020N	GRAPHITE GASKET	0.7	4
27	T0302CJ30040N	EXHAUST CLAMP M36	0.7	4

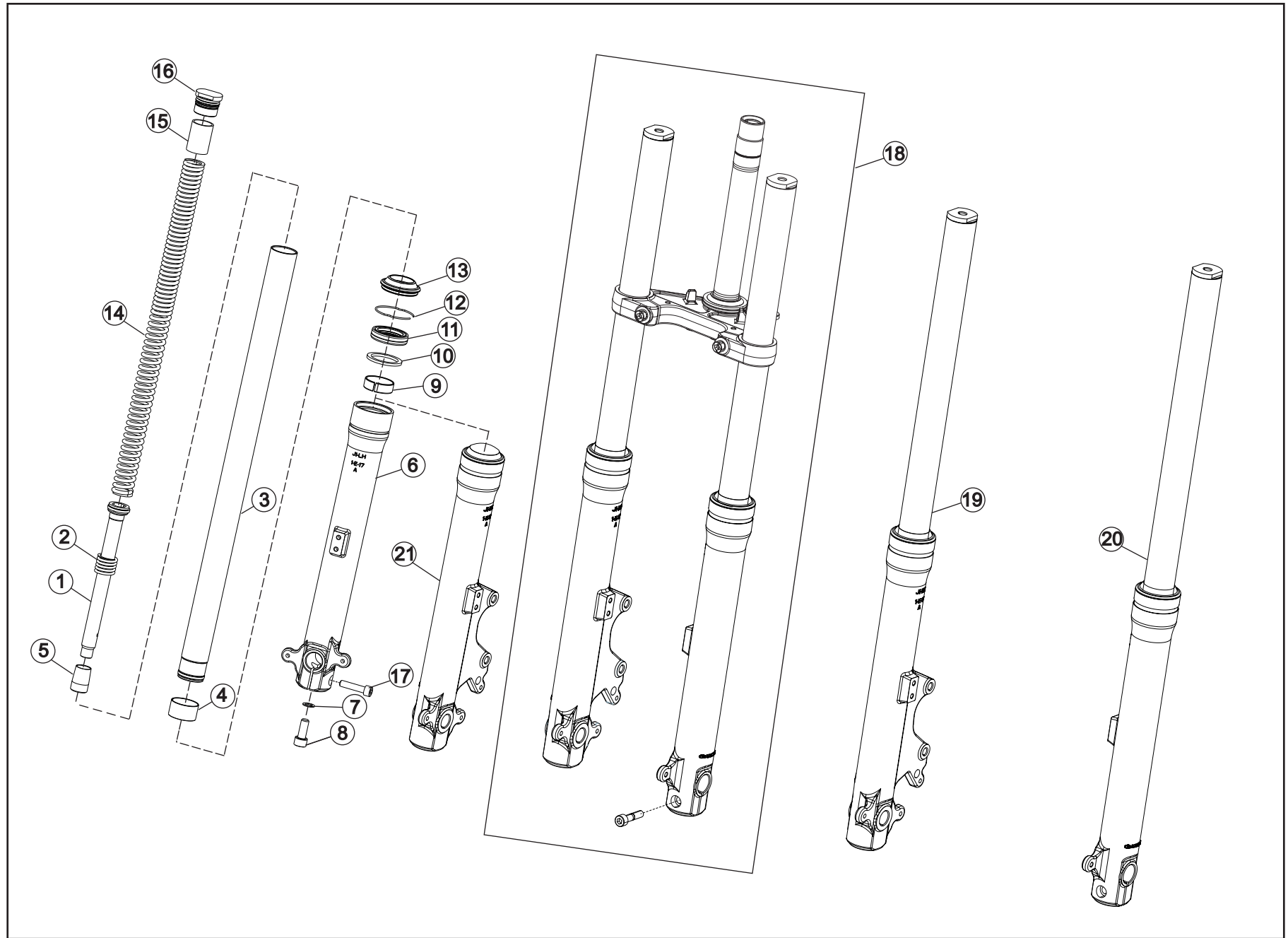
STEERING



STEERING

SR. NO.	PART NO.	PART DESCRIPTION	FRT	QTY	
1	T05000KW0050N	UNDER BRACKET ASSEMBLY	1.0	1	
2	T0502BKW0040N	SOCKET HEAD BOLT(M8X1.25X42)	0.4	2	
3	T0505BKW0010N	STEERING DUST SEAL	2.0	1	
4	T0505BKW0020N	STEERING DUST SEAL WASHER	2.0	1	
5	T05000KW0070N	BOTTOM INNER BALL RACE	2.0	1	
6	T0505NKW0010N	STEERING BALL (DIA 6.35) WITH CAGE	2.0	2	
7	T05010KW0020N	OUTER BALL RACE	2.0	2	
8	T05000KW0090N	TOP INNER BALL RACE	2.0	1	
9	T05010KW0010N	DUST CAP TOP STEERING BEARING	2.0	1	
10	T0505CKW0010N	STEERING NUT	1.0	1	
11	T0505CKW0020N	STEERING LOCK NUT	1.0	1	
12	T0502BKW0030N	SPRING WASHER M8	0.3	2	

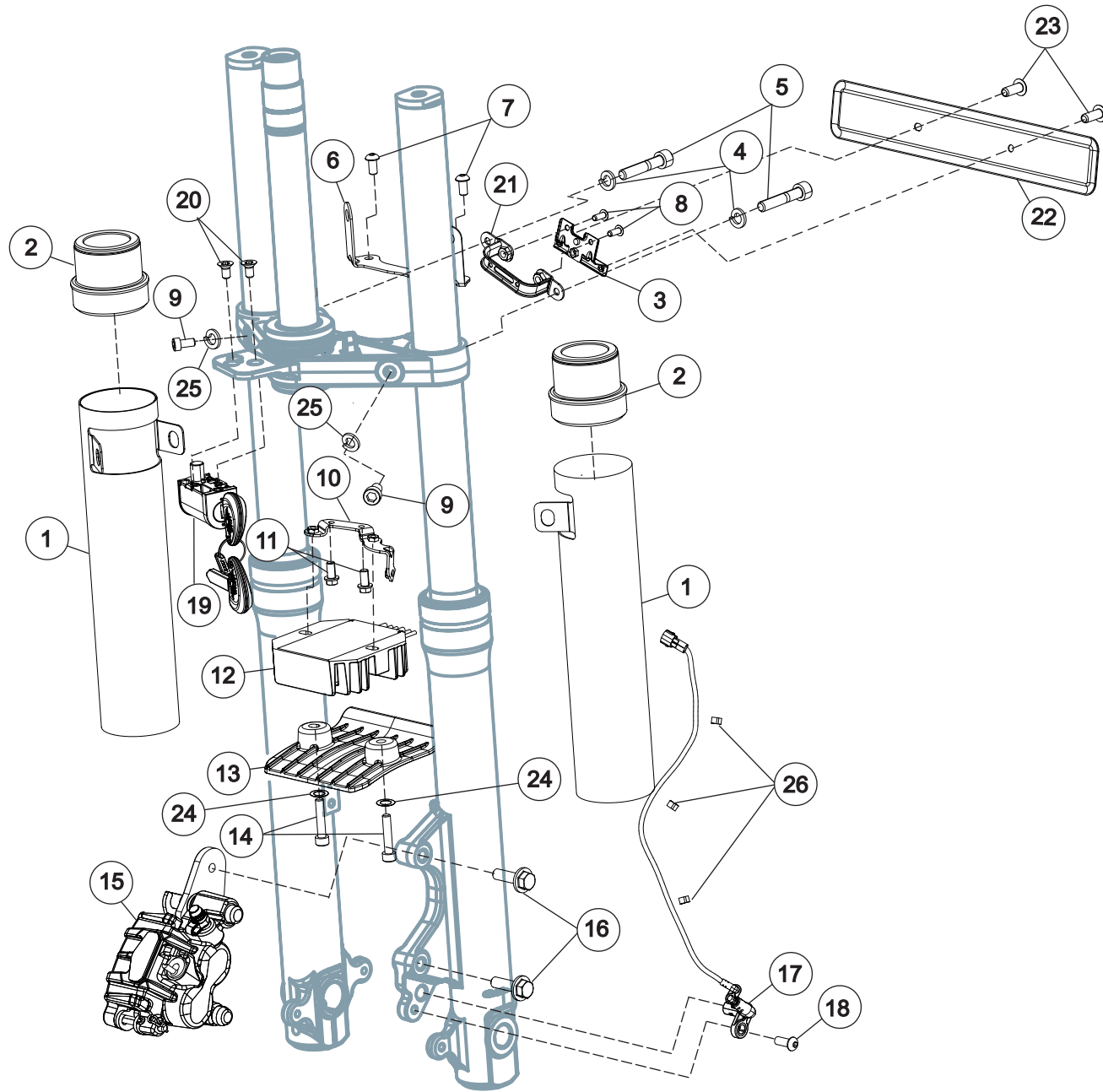
FRONT FORK ASSEMBLY



FRONT FORK ASSEMBLY

SR. NO.	PART NO.	PART DESCRIPTION	FRT	QTY	
1	T05010J30030N	PISTON(PISTON+PISTON RING)	1.3	1	
2	T05010J30040N	FRONT FORK REBOUND SPRING	1.3	1	
3	T05010KW0090N	INNER TUBE ASSEMBLY	1.3	1	
4	T05010KW0110N	SLIDE BUSH	1.3	1	
5	T05010KW0120N	SPINDLE TAPER	1.3	1	
6	T05010J30070N	OUTER TUBE LH	1.3	1	
7	T05010KW0140N	GASKET	1.3	1	
8	T05010KW0150N	BOLT M10X1	1.3	1	
9	T05010KW0160N	GUIDE BUSH	1.3	1	
10	T05010KW0170N	DU BUSH WASHER	1.3	1	
11	T05010KW0180N	OIL SEAL	1.3	1	
12	T05010KW0190N	CIRCLIP(SANP-RING)	1.3	1	
13	T05010KW0200N	DUST SEAL	1.0	1	
14	T05010J30050N	SPRING-1	0.8	1	
15	T05010J30060N	SPACER	0.8	1	
16	T05010KW0250N	BOLT CAP ASSLY	0.6	1	
17	T05010KW0260N	SOCKET HEAD BOLT(M8X1.25X35)	0.2	1	
18	T05010J30010N	FRONT FORK ASSY	1.5	1	
19	T05030J30010N	FORK LEG ASSY LH	1.3	1	
20	T05040J30010N	FORK LEG ASSY RH	1.3	1	
21	T05010J30080N	OUTER TUBE RH	1.3	1	

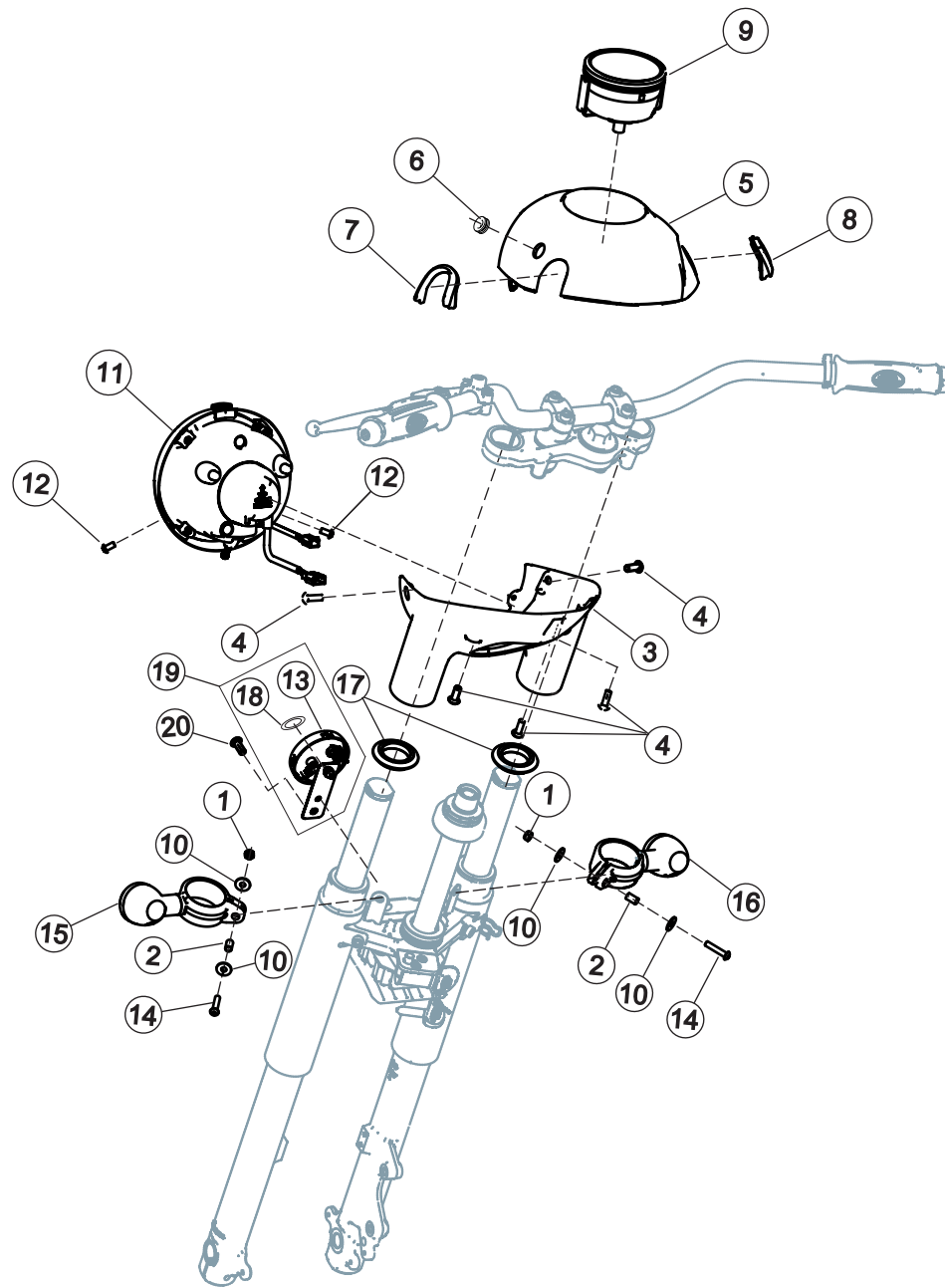
FRONT FORK MOUNTINGS



FRONT FORK MOUNTINGS

SR. NO.	PART NO.	PART DESCRIPTION	FRT	QTY	
1	T05010J30020L	FRONT FORK COVER TUBE MATT CHARCOAL GREY	1.0	2	
2	T05010KW0040N	GUIDE, FRONT FORK COVER TUBE	1.0	2	
3	T08020KW0120W	FRONT NUMBER PLATE HOLDER_J1A	0.6	1	
4	SF0402030	WASHER SPRING L M8x14.8x2xZG	0.2	2	
5	SP0708010	SOCKET HEAD SCREW M8x16	0.2	2	
6	T13160KW0070N	BRACKET INDICATOR MOUNTING FRONT	0.5	1	
7	SP0706018	SCREW TBEI M6X12 UNI 7380	0.4	2	
8	TSF0100005	SPECIAL, BOLT 8mm	0.5	2	
9	SP0708010	SOCKET HEAD SCREW M8x16	0.2	2	
10	T08000KW0440N	RR MOUNTING BRACKET	0.4	1	
11	95701-06012-00	BOLT FL.6 X 12	0.4	2	
12	T1501CKW0010N	REGULATOR RECTIFIER-J1	0.3	1	
13	T13000KW0060N	AIR DEFLECTOR RR MNTG	0.3	1	
14	95701-06030-00	BOLT FLANGE 6X30	0.3	2	
15	T1901KJ30010N	CALIPER FRONT BRAKE RH J3	0.8	1	
16	SF0102125	BOLT HEX FL M8X1.25X35X8.8	0.3	2	
17	T0602FKE0010N	SPEED SENSOR FRONT WHEEL_M104	0.6	1	
18	TSF0224080	SOCKET HEAD SCREW M6x16 BLACK (LOCKTITE)	0.2	1	
19	T08000KW0230N	STEERING LOCK MINDA	0.4	1	
20	SF0211020	SCREW FTCS CR SL M6X1X11.5X8.8	0.3	2	
21	T05010KW0280N	HOLDER NO PLATE MTG	0.5	1	
22	T14060KG0060N	FRONT NUMBER PLATE	0.2	1	
23	SF0212024	SCREW RDSKT M5X0.8X12XA2-70	0.1	2	
24	SF0401090	WASHER PLAIN M6X18X1.6	0.3	2	
25	SF0402030	WASHER SPRING L M8x14.8x2xZG	0.2	2	
26	T1501AKW0070N	DOUBLE CABLE CLIP_REV0_L1_A2	0.1	6	

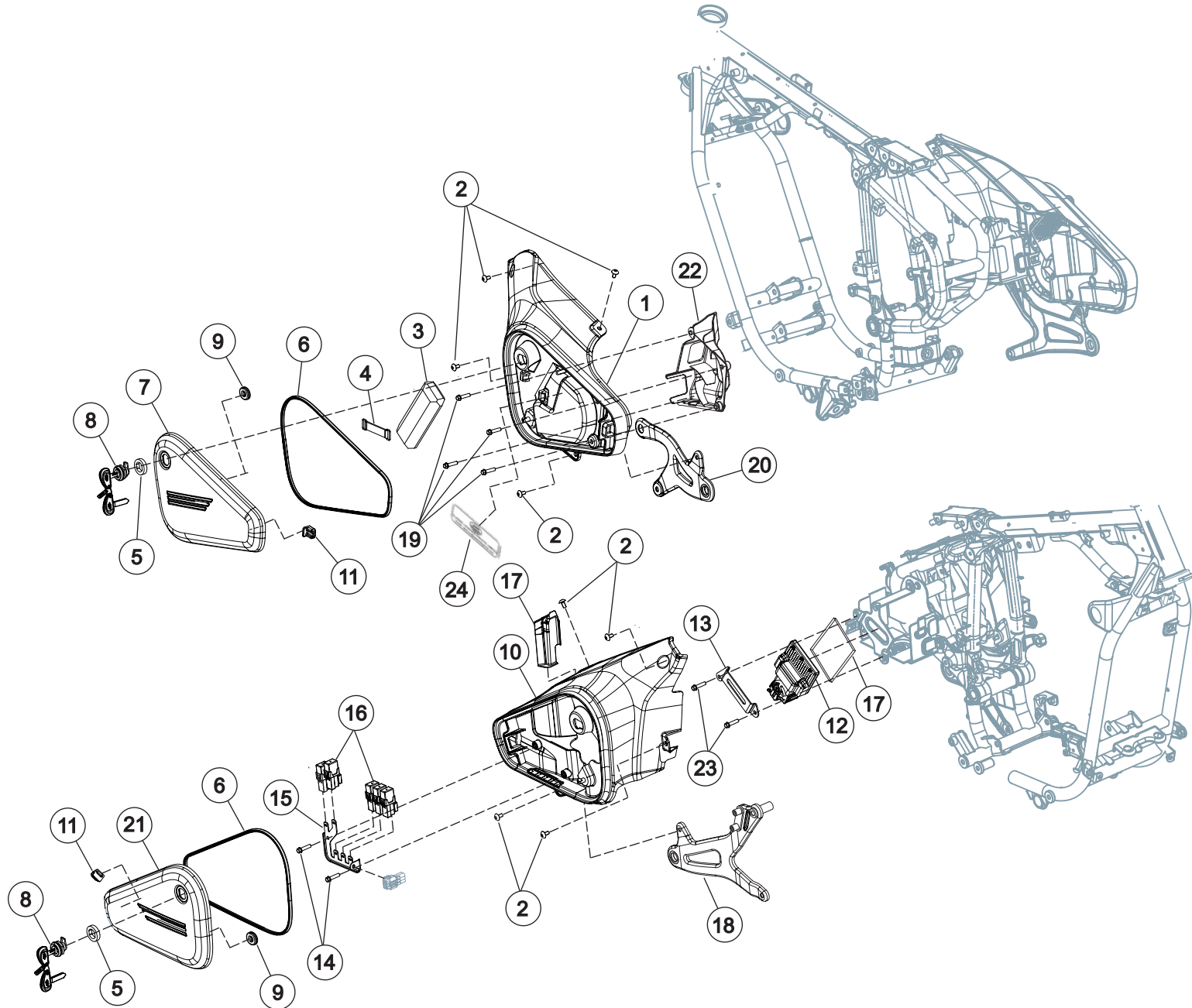
FAIRING ASSEMBLY



FAIRING ASSEMBLY

SR. NO.	PART NO.	PART DESCRIPTION	FRT	QTY	
1	TSF0318007	M6 NYLOC NUT (BLACK)	0.2	2	
2	MF01730000300	COLLAR TAIL LAMP MTG	0.2	2	
3	T08020J30010L	FR FAIRING LOWER COWL MATT CHARCOAL GREY	0.7	1	
4	SF0212025	SCREW RDSKT M8X1.25X16XA2-70	0.2	6	
5	T08020J30020L	FR FAIRING UPPER COWL MATT CHARCOAL GREY	0.5	1	
6	T13030KG0130N	GROMMET TAIL COVER	0.3	1	
7	T13160KW0010N	PLUG HANDLE BAR LH	0.2	1	
8	T13160KW0020N	PLUG HANDLE BAR RH	0.2	1	
9	T1501HJ30010N	SPEEDOMETER ASSEMBLY - J301	0.8	1	
10	SF0401090	WASHER PLAIN M6X18X1.6	0.3	4	
11	T1501DKW0010E	HEAD LAMP ASSEMBLY	0.2	1	
12	SF0212026	SCREW RDSKT M6X1X12XA2-70	0.2	2	
13	T1501BKW0010L	HORN ASSEMBLY - J301	0.4	1	
14	TSF0214019	SCREW M6 X 25	0.4	2	
15	T1501GKW0010E	TURN SIGNAL INDICATOR FRONT LH J301	0.5	1	
16	T1501GKW0020E	TURN SIGNAL INDICATOR FRONT RH J301	0.5	1	
17	T13160KW0090N	DAMPER HEAD LAMP STAY	0.7	2	
18	T13200KW0050N	LOGO HORN COVER JAWA	0.3	1	
19	T1501BKW0030L	HORN ASSEMBLY WITH LOGO - J301	0.2	1	
20	TSF0100005	SPECIAL, BOLT 8mm	0.5	1	

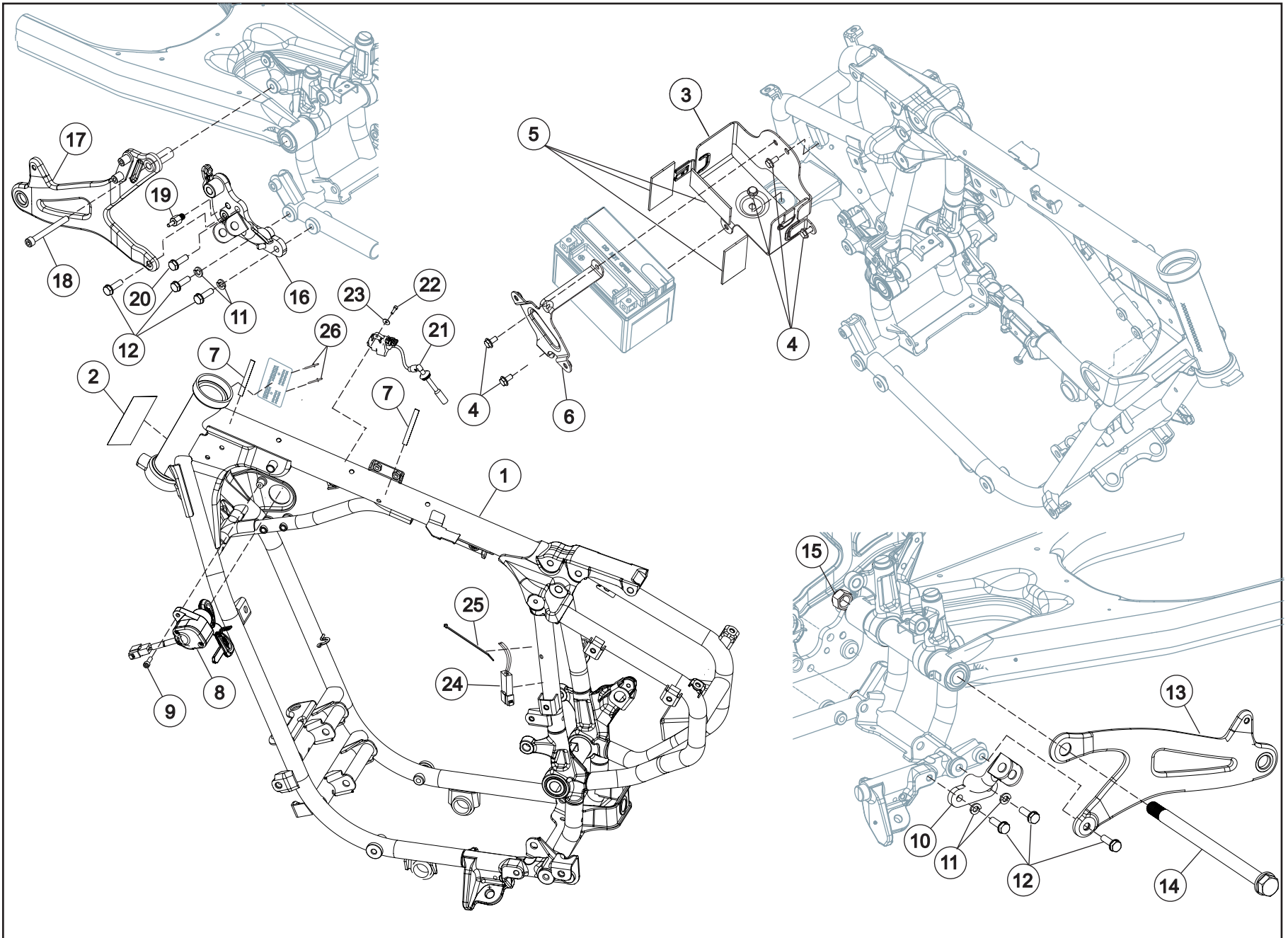
SIDE PANEL LH & RH ASSY / ECU & RELAY / FUSEBOX



SIDE PANEL LH & RH ASSY / ECU & RELAY / FUSEBOX

SR. NO.	PART NO.	PART DESCRIPTION	FRT	QTY	
1	T13010J30020E	SIDE PANEL LH MATT BLACK	0.2	1	
2	SF0212023	SCREW RDSKT M6X1X12XA2-70	0.2	8	
3	T14010KW0010N	TOOL KIT	0.2	1	
4	T14010KE0010N	TOOL KIT BAND	0.3	1	
5	T18080KS0020N	DAMPER SIDE PANEL LOCK	0.2	2	
6	T13010J30060N	BEAD SIDE PANEL J3	0.1	2	
7	T13010J30040L	BOX SIDE COVER LH MATT CHARCOAL GREY	0.1	1	
8	T2401FKW0010N	SIDE COVER LOCK C300	0.2	2	
9	T13010KT0140N	GROMMET SIDE COVER FRONT	0.2	2	
10	T13010J30030E	SIDE PANEL RH MATT BLACK	0.3	1	
11	T13010KT0120N	PLUG SIDE COVER	0.1	2	
12	T1502GJ30010N	ELECTRONIC CONTROL UNIT - J301	0.3	1	
13	T13010J30070N	BRACKET ECU MTG.	0.2	1	
14	95701-06012-00	BOLT FL.6 X 12	0.2	2	
15	T13010J30080N	BRACKET RELAY MOUNTING	0.2	1	
16	T1501DKW0020N	RELAY (20A NO CONTACT)	0.2	5	
17	T13010J30100N	SIDE PANEL RUBBER CAP	0.3	1	
18	T2201BJ30020N	STAY EXHAUST MTG RH	0.5	1	
19	SP0906041	FLANGED HEAD BOLT-SH M6X12	0.2	4	
20	T2201BJ30010N	STAY EXHAUST MTG LH	0.5	1	
21	T13010J30050L	BOX SIDE COVER RH MATT CHARCOAL GREY	0.1	1	
22	T13010J30090N	AIR FILTER ENTRY DUCT COVER	0.5	1	
23	95701-06010-08	BOLT FLANGE 6X10	0.2	2	
24	T13010KW0290N	MANUFACTURER LABEL STICKER	0.2	1	

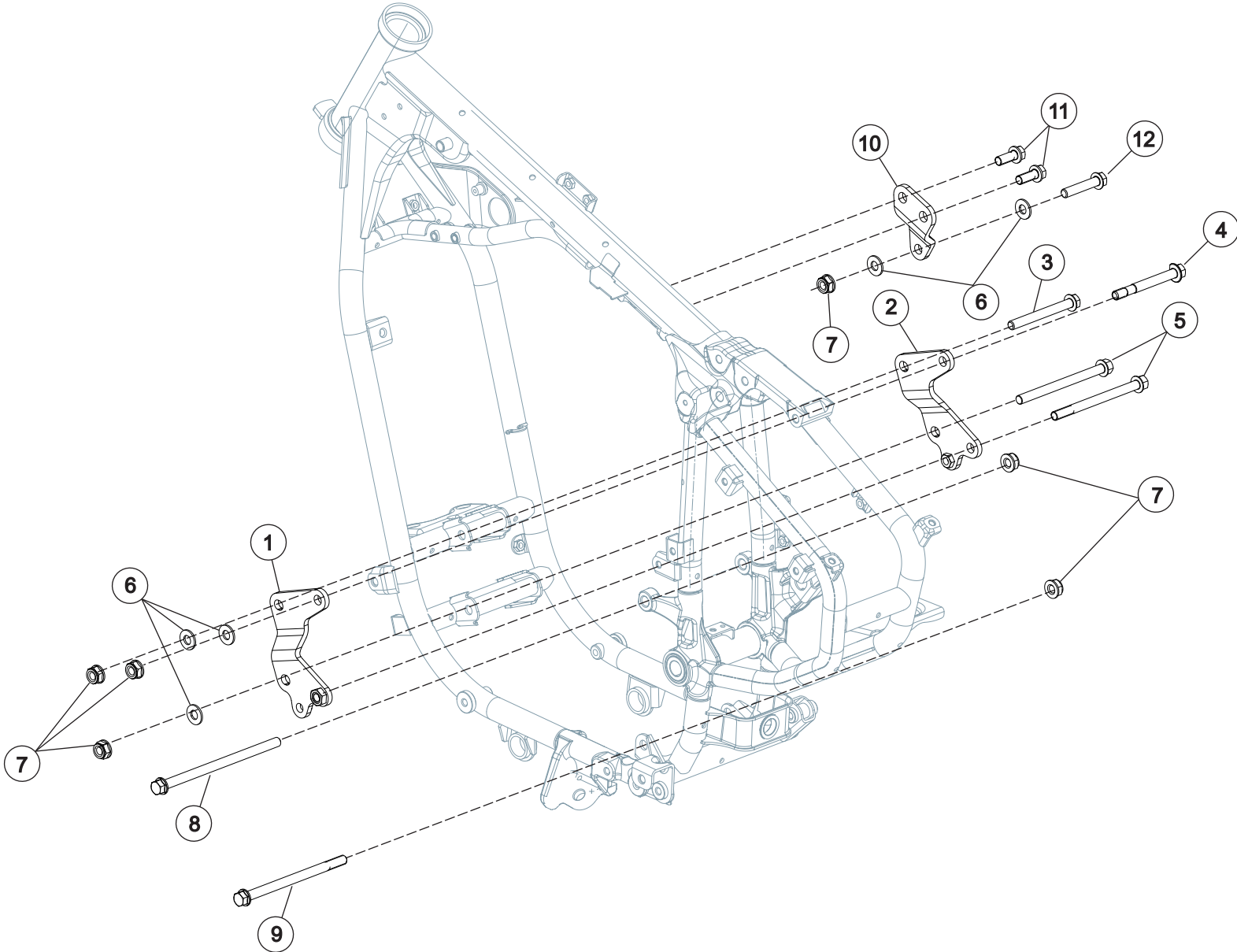
FRAME & FOOT REST ASSEMBLY



FRAME & FOOT REST ASSEMBLY

SR. NO.	PART NO.	PART DESCRIPTION	FRT	QTY	
1	T08010J30010W	FRAME COMPLETE BLACK GLOSSY	14	1	
2	T08000KE0020N	ANTI ABRASIVE TAPE HEAD PIPE	0.3	1	
3	T08000J30020N	BATTERY BOX	0.6	1	
4	95701-06012-00	BOLT FL.6 X 12	0.2	5	
5	T1503DKE0250N	PAD BATTERY BOX	0.4	3	
6	T08000J30040N	CLAMP BATTERY BOX	0.3	1	
7	T0702JKE0010N	CLAMP THROTTLE CABLE	0.5	3	
8	T1501NKW0010N	IGNITION SWITCH ASSY	0.7	1	
9	TSF0101269	HEX BOLT 5 x 12	0.7	1	
10	T2201AKW0020W	RIDER FOOTREST LH BLACK GLOSSY	0.6	1	
11	SP3908001	SPRING WASHER (M8)	0.5	4	
12	SF0102057	FLANGE BOLT M8 X 1.25 X 25L	0.5	6	
13	T2201BJ30010N	STAY EXHAUST MTG LH	0.8	1	
14	T1101CKW0010N	SWING ARM AXLE M16	0.6	1	
15	TSF0318003	SELF LOCK NUT M16	0.4	1	
16	T2201AJ30020W	RIDER FOOTREST RH BLACK GLOSSY	0.6	1	
17	T2201BJ30020N	STAY EXHAUST MTG RH	0.7	1	
18	TSF0212016	SOCKET HEAD SCREW M8X70	0.5	1	
19	T2201AKW0150N	PIN, PEDAL RETURN SPRING	0.5	1	
20	SP0308023	SOCKET HEAD SCREW M8X28	0.4	1	
21	T1502CKE0050N	IGNITION COIL WITH CABLE	0.8	1	
22	SP0906029	BOLT, HEX FLANGE HEAD SH-M6X20	0.5	1	
23	TSF0401124	WASHER 6.5x20x1.6	0.5	1	
24	T1501AKW0230N	BYPASS RESISTOR ROS	1.0	1	
25	T1501AKE2050E	CABLE STRAP 200MM	1.0	1	
26	SF0508001	POP RIVET 3.2 DIA	0.4	2	

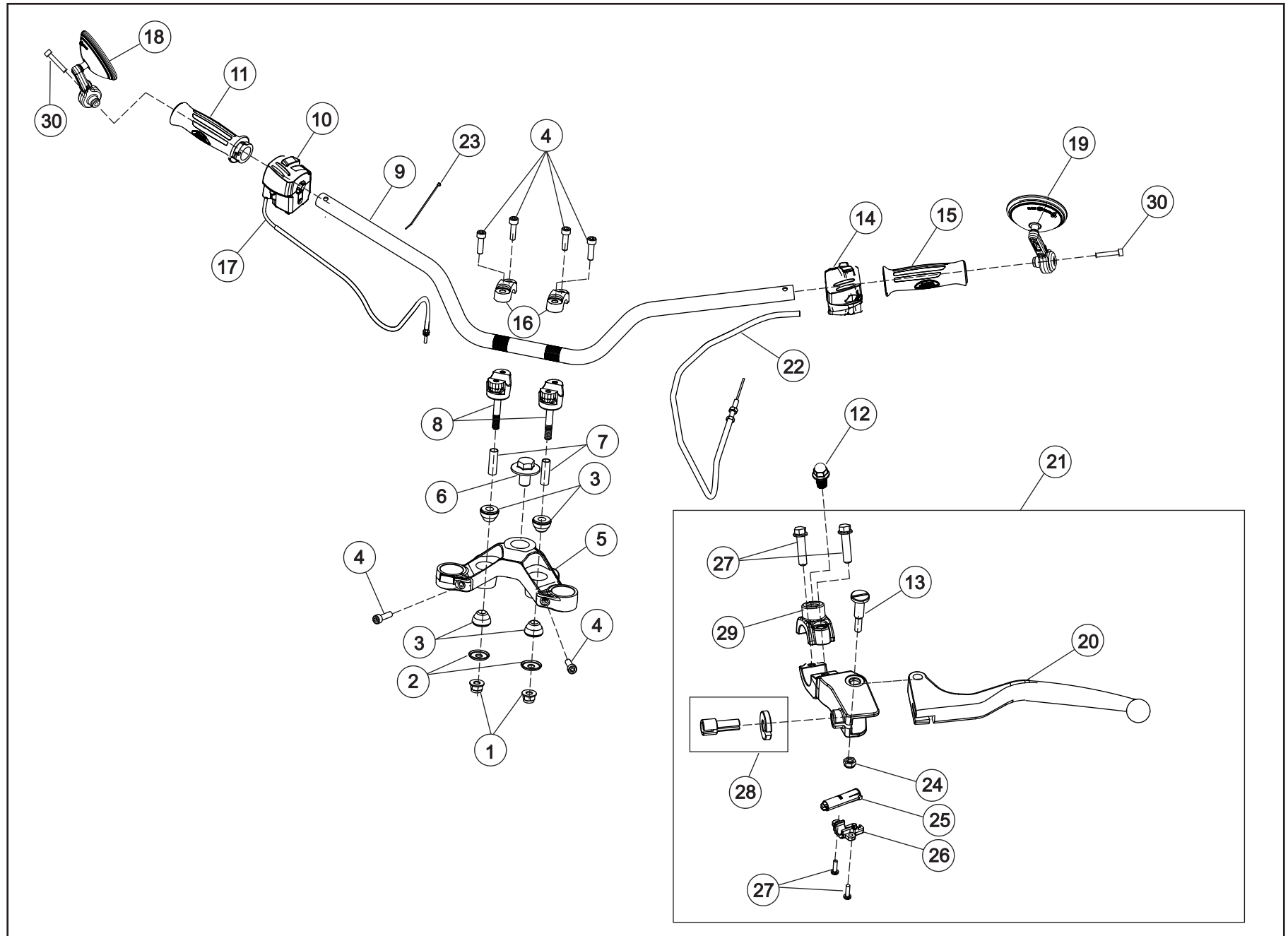
ENGINE MOUNTING SYSTEM



ENGINE MOUNTING SYSTEM

SR. NO.	PART NO.	PART DESCRIPTION	FRT	QTY	
1	T2101DKW0010W	FR ENGINE BRACKET LH BLACK GLOSSY	0.7	1	
2	T2101DKW0020W	FR ENGINE BRACKET RH BLACK GLOSSY	0.7	1	
3	TSF0102299	FLANGED BOLT M10 x 90	0.7	1	
4	SF0100129	BOLT SPECIAL M10*1.25*90*10.9	0.8	1	
5	TSF0102300	FLANGED BOLT M10 x 125	0.8	2	
6	TSF0401130	WASHER M10 (110*22*2.0)	1.0	5	
7	TSF0318009	FLANGE U NUT M10x1.25	0.7	6	
8	SF0102544	BOLT HEX FL M10X1.25X175X10.9	0.7	1	
9	SF0102545	BOLT HEX FL M10X1.25X150X10.9	0.9	1	
10	T2101DKW0030W	TOP ENGINE BKT LH BLACK GLOSSY	0.7	1	
11	SF0102038	FLANGE BOLT M10X25	0.7	2	
12	TSF0102302	FLANGED BOLT M10 X 50	0.7	1	

HANDLE BAR ASSEMBLY



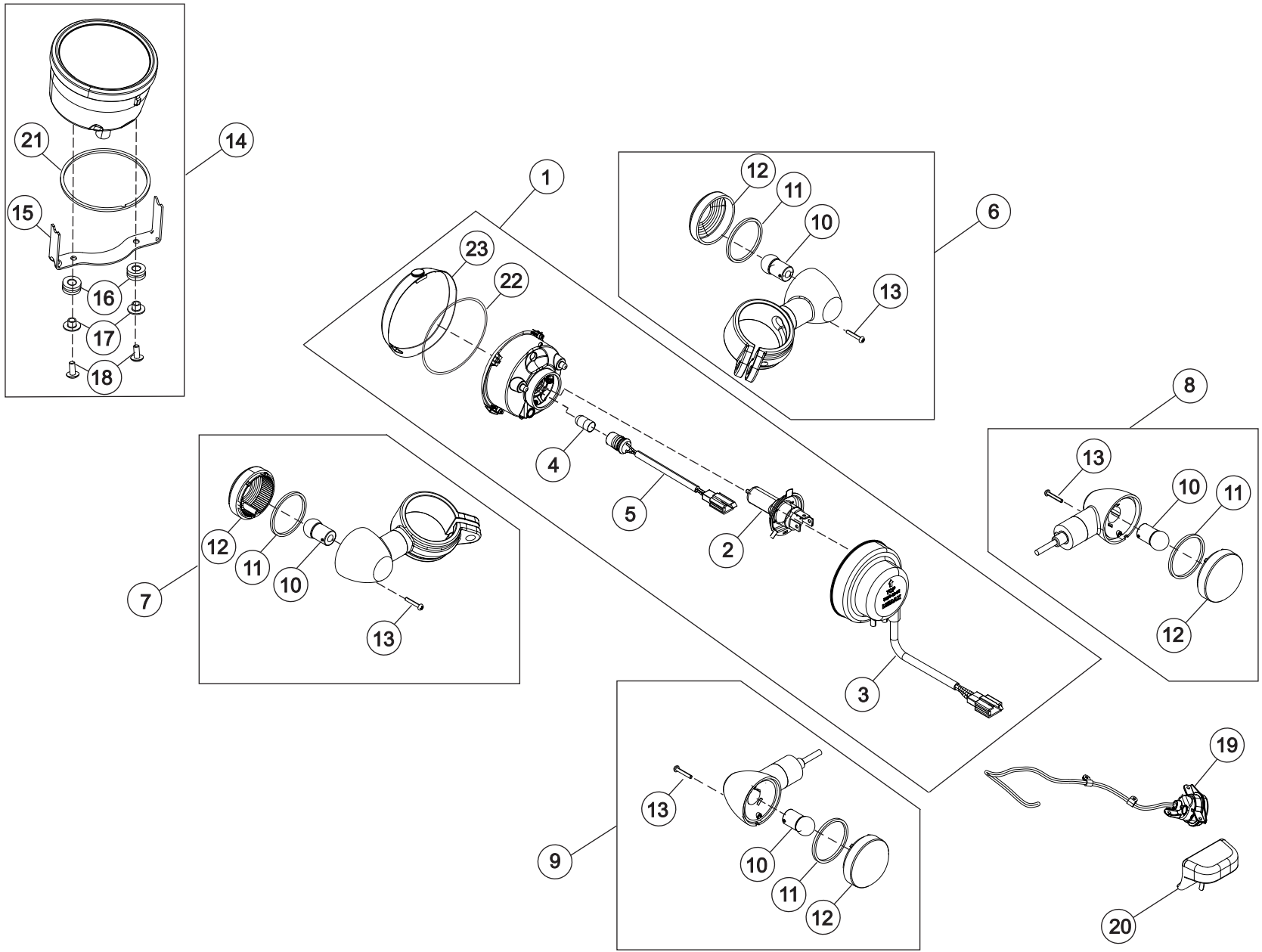
HANDLE BAR ASSEMBLY

SR. NO.	PART NO.	PART DESCRIPTION	FRT	QTY	
1	SF0315017	NUT HX NYL FL M10X1.50X13.5X10	0.2	2	
2	MH01800004000	SHOT SILENT BLOCK	0.8	2	
3	MH01800003900	SILENT BLOCK	0.8	4	
4	SP0308023	SOCKET HEAD SCREW M8X28	0.7	6	
5	T05000KW0080N	UPPER BRACKET	0.8	1	
6	SF0200115	SCREW SPECIAL M16x1.25x25x8.8	0.5	1	
7	MH01790002300	SPACER INNER SILENT BLOCK	0.7	2	
8	T07010KW0020N	HANDLE BAR HOLDER LOWER	0.7	2	
9	T07000KW0010E	HANDLE BAR TUBE	1.0	1	
10	T1501MKE1020N	SWITCH ASSY RH	0.5	1	
11	T0701EKW0010N	THROTTLE CONTROL TUBE WITH HANDLE GRIP RH	0.5	1	
12	T0701CJ30010N	PLUG CAP LH	0.1	1	
13	T0701CKW0070N	PIVOT LEVER LH MINUS HEAD	0.3	1	
14	T1501MKE1010N	SWITCH ASSY LH_M103	0.4	1	
15	T0701DKW0010N	HANDLE GRIP LH	0.4	1	
16	T07010KW0010N	HANDLE BAR HOLDER UPPER	0.5	2	
17	T2401DKW0010N	THROTTLE CABLE ASSY	0.6	1	
18	T14040KW0040N	MIRROR ASSY RH HANDLE END	0.2	1	
19	T14040KW0030N	MIRROR ASSY LH HANDLE END	0.2	1	
20	T0701CKE0060E	CLUTCH LEVER BLACK	0.7	1	
21	T0701CKW0030E	CLUTCH LEVER ASSEMBLY	0.7	1	
22	T2401HKW0010N	CLUTCH CABLE ASSEMBLY - BSVI	0.6	1	
23	MF01840000300	CABLE TIES	0.1	2	
24	SF0302015	NYLOC NUT M5	0.2	1	
25	T0702AKE0010N	CLUTCH SWITCH	0.4	1	
26	MH01710001200	HOLDER SUPPORT	0.2	1	
27	SP0906039	BOLT M6 X 32	0.2	4	
28	T07020KE0030N	CHECK NUT	0.4	1	
29	T0701CKW0050N	HOLDER UPPER	0.4	1	
30	Sp0306020	SOCKET HEAD SCREW M6X55	0.1	2	

SWING ARM ASSEMBLY / REAR SHOCK ABSORBER / SIDE STAND ASSEMBLY

SR. NO.	PART NO.	PART DESCRIPTION	FRT	QTY	
1	T11010J30040N	SWINGARM SUB-ASSY_J301	3.5	1	
2	T1101AKW0010N	BUSH INNER LH	3.5	1	
3	T1101AKW0020N	BUSH INNER RH	3.5	1	
4	T1101AKW0040N	COLLAR - BUSH INNER RH	3.5	1	
5	T1101AKW0030N	BUSH OUTER RH	3.5	1	
6	T1101CKW0010N	SWING ARM AXLE M16	0.6	1	
7	TSF0318003	SELF LOCK NUT M16	0.2	1	
8	T1103AJ30010E	CHAIN COVER	0.4	1	
9	Sf0212023	SCREW RDSKT M6X1X12XA2-70	0.2	2	
10	T08000KW0180N	CHAIN TENSION ADJUSTOR LH	0.8	1	
11	T08000KW0190N	CHAIN TENSION ADJUSTOR RH	0.8	1	
12	T11020J30010N	REAR SHOCK ABSORBER_J3	0.8	1	
13	TSF0102302	FLANGED BOLT M10 X 50	0.4	1	
14	TSF0102301	FLANGE BOLT M10 X 75	0.4	1	
15	TSF0318009	FLANGE U NUT M10x1.25	0.4	2	
16	T2201BJ30010N	STAY EXHAUST MTG LH	0.8	1	
17	T11010J30010W	SWING ARM_J301	3.5	1	
18	SF0602002	CIRCLIP INT - LUG 30X1.2XPH	3.5	2	
19	SP010100119	BEARING DG BALL SR 17X30X7	3.5	1	
20	6801CAP00021N	NEEDLE_ROLLER_BEARING	3.5	3	
21	94101-04700	WASHER 4MM	0.2	2	
22	TSF0214025	TAPPING SCREW M4X12	0.2	2	
23	SF0301245	NUT HEX M8X1.25X6.8X8	0.2	2	
24	SF0201389	SCREW HEX M8X1.25X55X8.8	0.2	2	
25	T1103BJ30010N	CHAIN SLIDER	1.0	1	
26	T13200J30010N	CAUTION STICKER	0.1	1	
27	T25010KW0032N	CABLE TIE CLAMP, BRAKE HOSE_HELLERMANN	0.2	4	
28	T1501AKE2052E	CABLE STRAP 200MM_HELLERMANN	0.2	4	
29	T2301AJ30010W	SIDE STAND BLACK GLOSSY	0.5	1	
30	T2302BKW0010N	SPRING SIDE STAND JAWA	0.2	1	
31	T20000KW0140N	RUBBER SLEEVE , RETURN SPRING	0.2	1	
32	T2302BKW0020N	STEP BOLT SIDE STAND JAWA	0.4	1	
33	MF01690000400	NYLOC NUT (M10 X 1.25P)	0.2	1	
34	T11010J30060N	SWING ARM COVER	0.2	1	
35	SP0212001	BUTTON HEAD SOCKET SCREW M6X10	0.2	3	
36	T13200J30170N	CAUTION STICKER - TAIL LAMP	0.1	1	
37	T14000J30150N	NOISE LABEL STICKER	0.1	1	

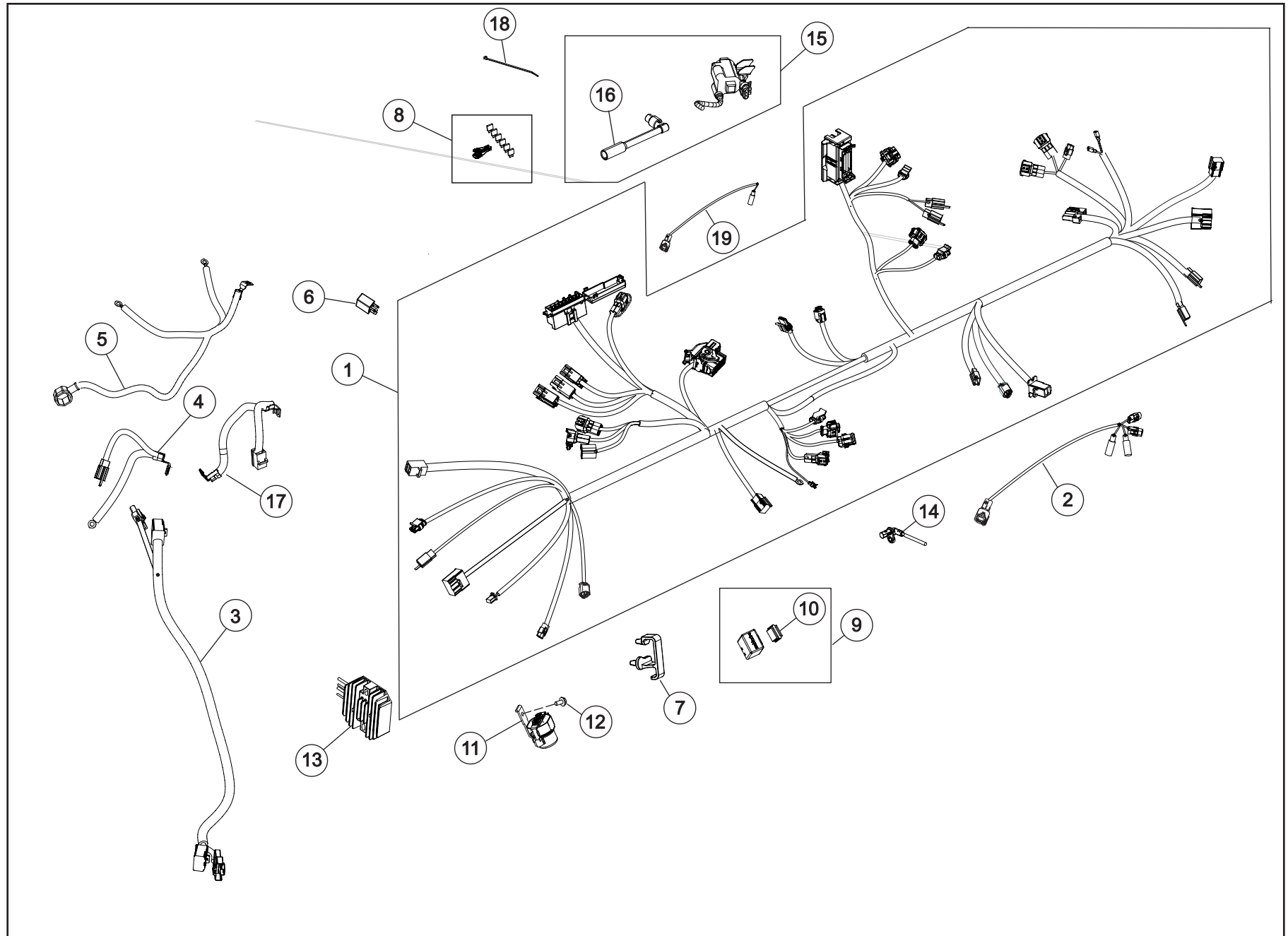
HEADLAMP, TAIL LAMP, INDICATOR FRONT & REAR, LICENSE PLATE LAMP & SPEEDOMETER ASSEMBLY



HEAD LAMP, TAIL LAMP, INDICATOR FRONT & REAR, LICENSE PLATE LAMP & SPEEDOMETER ASSEMBLY

SR. NO.	PART NO.	PART DESCRIPTION	FRT	QTY
1	T1501DKW0120E	HEAD LAMP ASSEMBLY CLASS D	0.2	1
2	T1501DKW0060N	BULB 12V,H4 60/55W	0.3	1
3	T1501DKW0050N	DUST COVER	0.3	1
4	T1501DKW0070N	BULB 12V,5W	0.3	1
5	T1501DKW0080N	WIRING HARNESS - POSITION LAMP	0.3	1
6	T1501GKW0020E	TURN SIGNAL INDICATOR_FRONT RH	0.5	1
7	T1501GKW0010E	TURN SIGNAL INDICATOR_FRONT LH	0.5	1
8	T1501GKW0040E	TURN SIGNAL INDICATOR_REAR RH	0.3	1
9	T1501GKW0030E	TURN SIGNAL INDICATOR_REAR LH	0.3	1
10	T1501GKW0050N	BULB R10	0.2	4
11	T1501GKW0060N	RUBBER GASKET	0.2	4
12	T1501GKW0070N	LENS	0.2	4
13	T1501GKW0080N	FASTNER-INDICATOR	0.2	4
14	T1501HJ30010N	SPEEDOMETER ASSEMBLY - J301	0.8	1
15	T13160KW0170N	BRACKET SPEEDOMETER MOUNTING (JAWA)	0.4	1
16	T13160KW0190N	COLLAR FOR M5	0.4	2
17	T13160KW0180N	GROMMET FOR M5	0.4	2
18	TSF0102272	FUEL GAUGE-FLANGE BOLT (M5×12)	0.5	2
19	T1501EJ30010N	TAIL LAMP - J301	0.6	1
20	T1501TKW0020N	LICENSE LAMP ASSEMBLY EU V	0.4	1
21	T1501HKW0060N	GASKET - SPEEDOMETER (JAWA)	0.6	1
22	T1501DKW0100N	HEADLAMP - RUBBER RING	0.3	1
23	T1501DKW0090E	HEADLAMP - RIM ASSEMBLY - J301	0.3	1

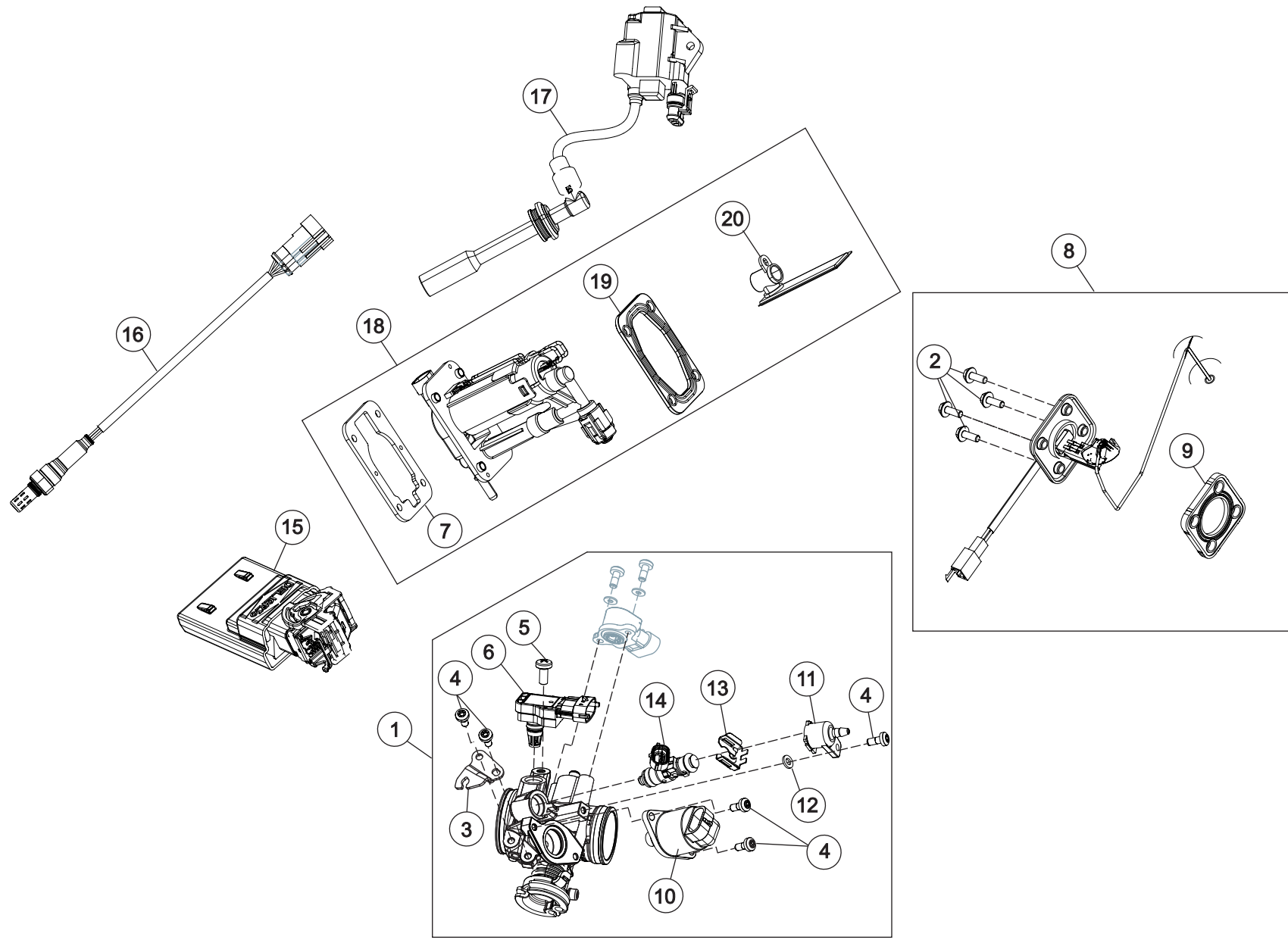
WIRING HARNESS & BATTERY WITH STARTER RELAY AND RELAY CORDSET



WIRING HARNESS & BATTERY WITH STARTER RELAY AND RELAY CORDSET

SR. NO.	PART NO.	PART DESCRIPTION	FRT	QTY	
1	T1501AJ30010N	WIRING HARNESS_J301	2.0	1	
2	T1501AJ30020N	WIRING REAR LAMPS_J301	0.4	1	
3	T1501AKW0050N	WIRING_RR UNIT	0.5	1	
4	T1501AKW0110N	WIRING_BATTERY NEGATIVE J1_DABS	0.4	1	
5	T1503BKW0010N	WIRING_STARTER MOTOR	0.6	1	
6	T1501DKW0020N	RELAY (20A NO CONTACT)	0.3	3	
7	T1501AKW0090N	CLAMP_WIRING HARNESS	0.3	1	
8	T1501AKE2170N	SPARE FUSE KIT ASSY	0.1	1	
9	MF00660000100	WINKER RELAY WITH HOLDER	0.6	1	
10	MF01910000200	HOLDER (FOR WINKER RELAY)	0.6	1	
11	T1503CKE0730E	STARTER RELAY	0.6	1	
12	95701-06012-00	BOLT FL.6X12	0.2	1	
13	T1501CKW0010N	REGULATOR RECTIFIER-J1	0.5	1	
14	T0602FKE0010N	SPEED SENSOR FRONT WHEEL_M104	0.6	2	
15	T1502CKE0050N	IGNITION COIL WITH CABLE	0.8	1	
16	T1502FUF0330N	NOISE SUPPRESSOR CAP	0.4	1	
17	T1503AJ30010N	WIRING BATTERY POSITIVE_J301	0.4	1	
18	T1501AKE2050E	CABLE TIES	0.2	17	
19	T1501RKW0070N	WIRING DAIGNOSTICS 3_E5	0.4	1	

ELECTRONIC FUEL INJECTION (EFI) ASSEMBLY

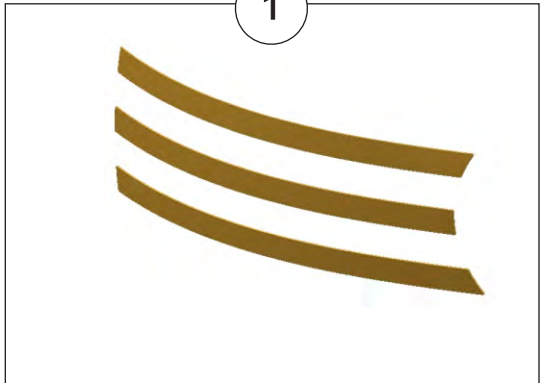


ELECTRONIC FUEL INJECTION (EFI) ASSEMBLY

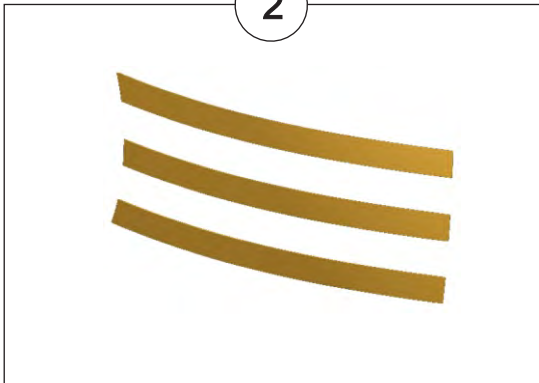
SR. NO.	PART NO.	PART DESCRIPTION	FRT	QTY	
1	T0102HKW0010N	THROTTLE BODY ASSEMBLY	1.0	1	
2	SP0906041	FLANGED HEAD BOLT-SH M6X12	0.5	4	
3	T0102HKW0040N	THROTTLE CABLE BRACKET	0.5	1	
4	T1501PKW0050N	FASTNER-MTB	0.5	5	
5	T1502EKW0020N	FASTNER-TMAP	0.3	1	
6	T1502EKE0250N	TMAP_ECU_C	0.3	1	
7	T10050KW0050N	METAL FLANGE	0.7	1	
8	T1501PKW0010N	FUEL SENSOR UNIT	0.6	1	
9	T1501PKW0040N	RUBBER GASKET	0.6	1	
10	T1502HKW0020N	IACV ECU	0.5	1	
11	T1501PKW0020E	FUEL INJECTOR CAP	0.6	1	
12	T1501PKW0060N	SEPERATOR	0.6	1	
13	T0102BKE0050N	FIXING INJECTOR CLIP (DELLORTO)	0.6	1	
14	T1501PKW0070N	FUEL INJECTOR _ECU C	1.0	1	
15	T1502GKW0020N	ELECTRONIC CONTROL UNIT	0.3	1	
16	T15000KW0020N	LAMBDA SENSOR	0.4	1	
17	T1502CKE0050N	IGNITION COIL WITH CABLE	0.4	1	
18	T10050KW0010N	FUEL PUMP PLASTIC	0.7	1	
19	T10050KW0060N	RUBBER GASKET	0.6	1	
20	T10050KW0040N	FUEL FILTER	0.8	1	

DECALS

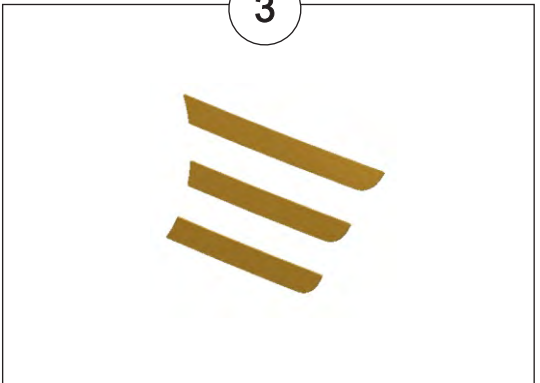
1



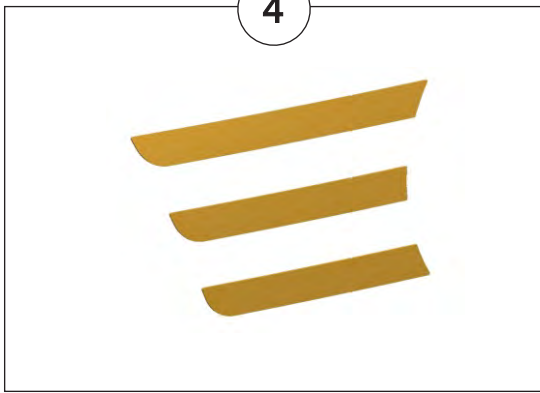
2



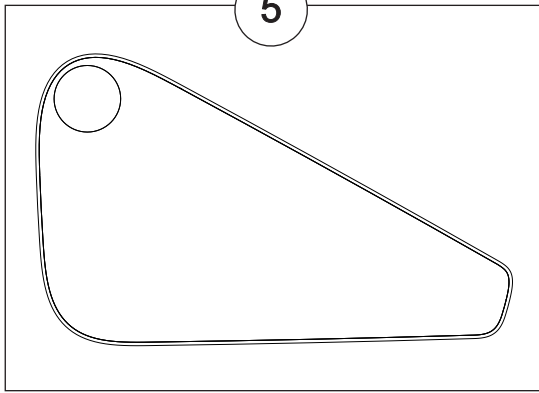
3



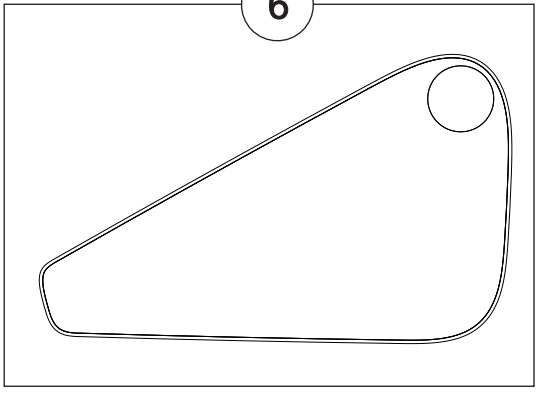
4



5



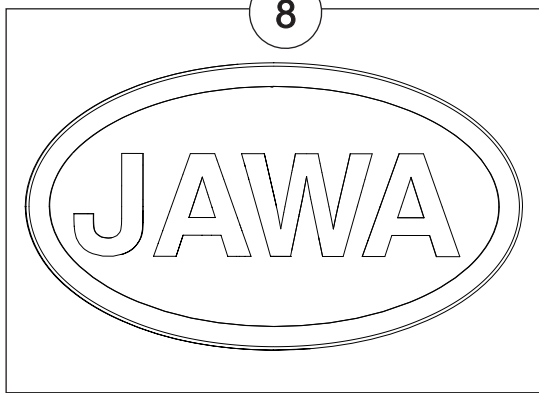
6



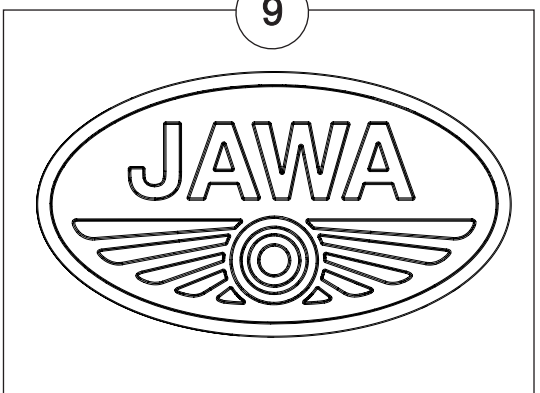
7



8



9

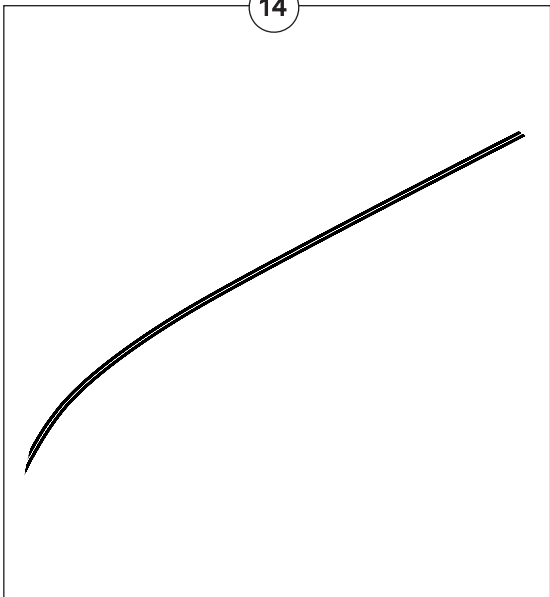


DECALS

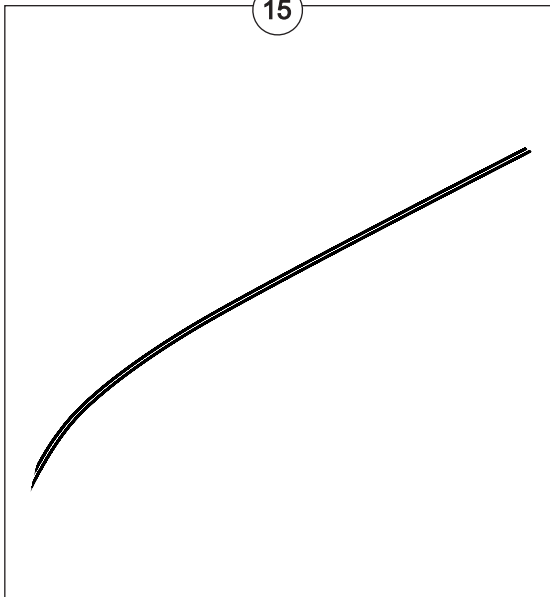
SR. NO.	PART NO.	PART DESCRIPTION	FRT	QTY	
1	T13200KW0090N	DECAL TANK FRONT LH	0.4	1	
2	T13200KW0100N	DECAL TANK FRONT RH	0.4	1	
3	T13200KW0110N	DECAL TANK REAR LH	0.4	1	
4	T13200KW0120N	DECAL TANK REAR RH	0.4	1	
5	T13200J30090N	DECAL SIDE PANEL LHS SIDE	0.4	1	
6	T13200J30100N	DECAL SIDE PANEL RHS SIDE	0.4	1	
7	T13200KW0040N	LOGO ENGINE STARTER MOTOR COVER	0.3	1	
8	T13200KW0050N	LOGO HORN COVER JAWA	0.3	1	
9	T13200J30140L	LOGO TANK J3	0.3	2	

DECALS

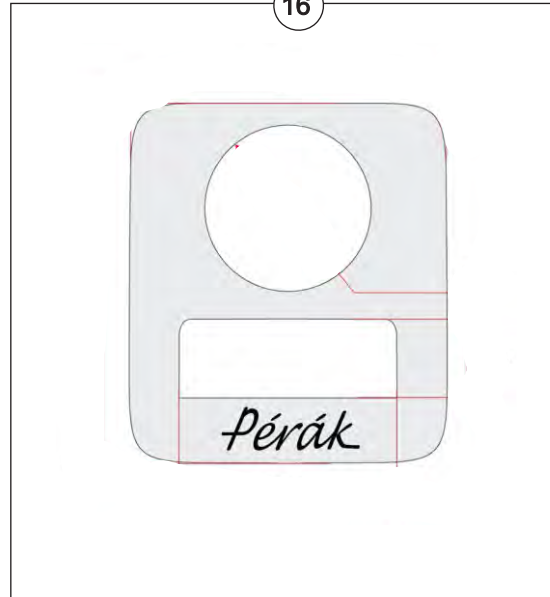
14



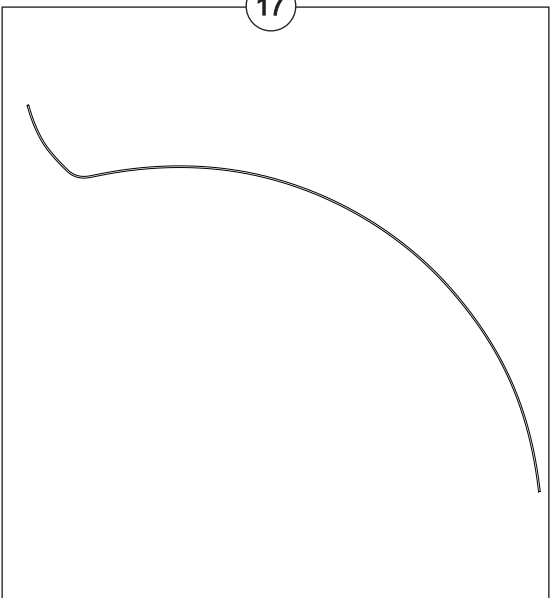
15



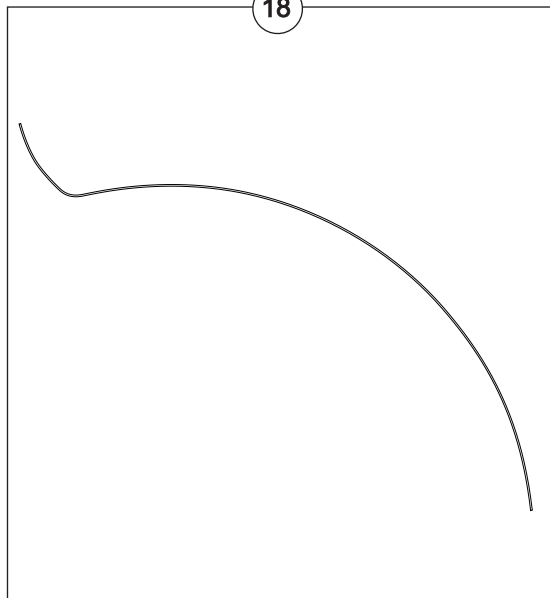
16



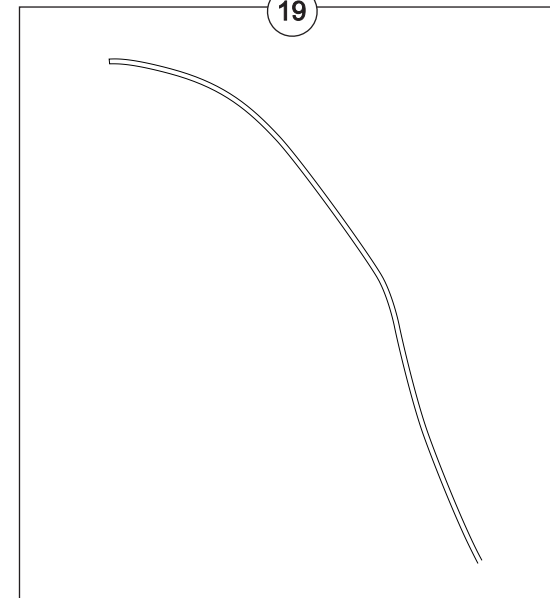
17



18



19

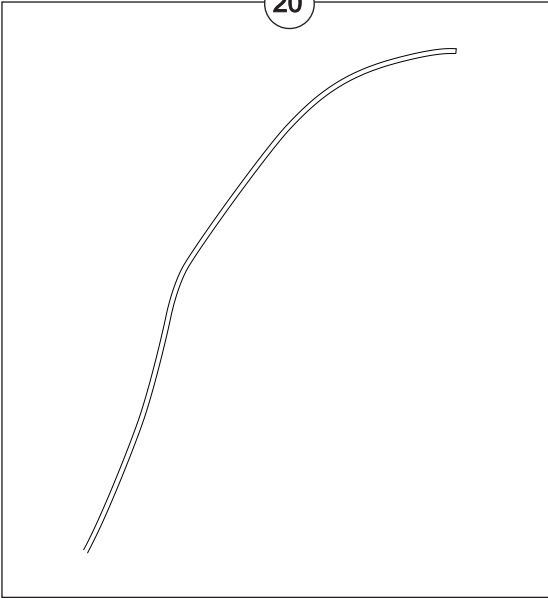


DECALS

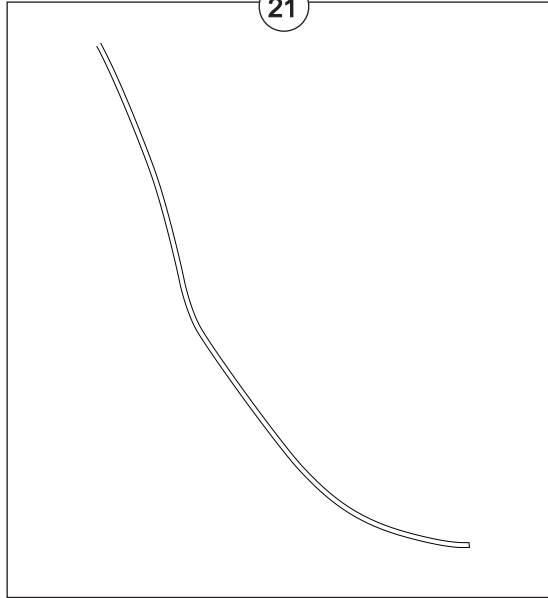
SR. NO.	PART NO.	PART DESCRIPTION	FRT	QTY	
14	T13200J30040N	DECAL TANK TOP LH	0.4	1	
15	T13200J30150N	DECAL TANK TOP RH	0.4	1	
16	T13200J30160N	DECAL TANK PERAK	0.4	1	
17	T13200J30020N	DECAL REAR FENDER LHS REAR	0.4	1	
18	T13200J30030N	DECAL REAR FENDER RHS REAR	0.4	1	
19	T13200J30050N	DECAL FRONT FENDER LHS REAR	0.4	1	

DECALS

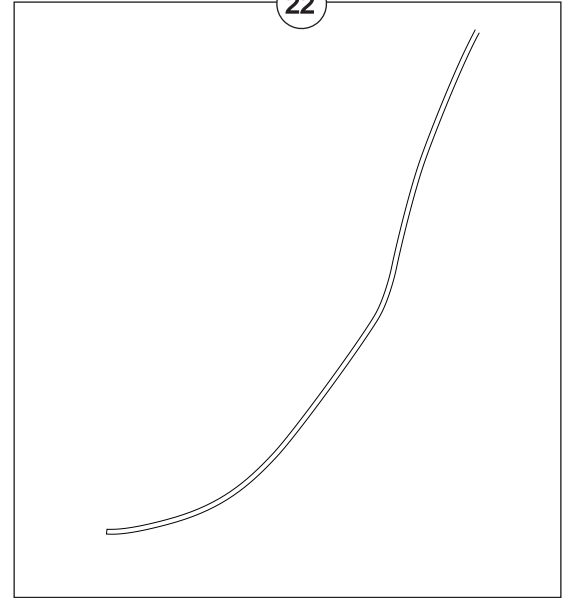
20



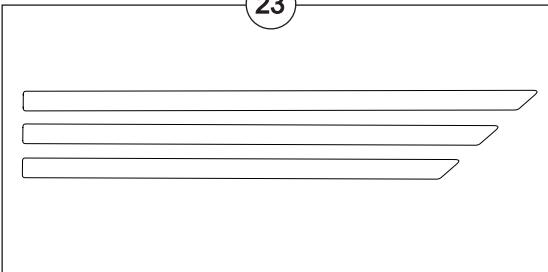
21



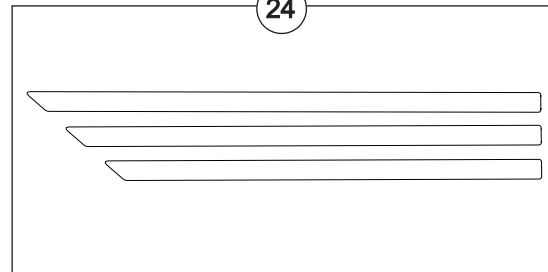
22



23



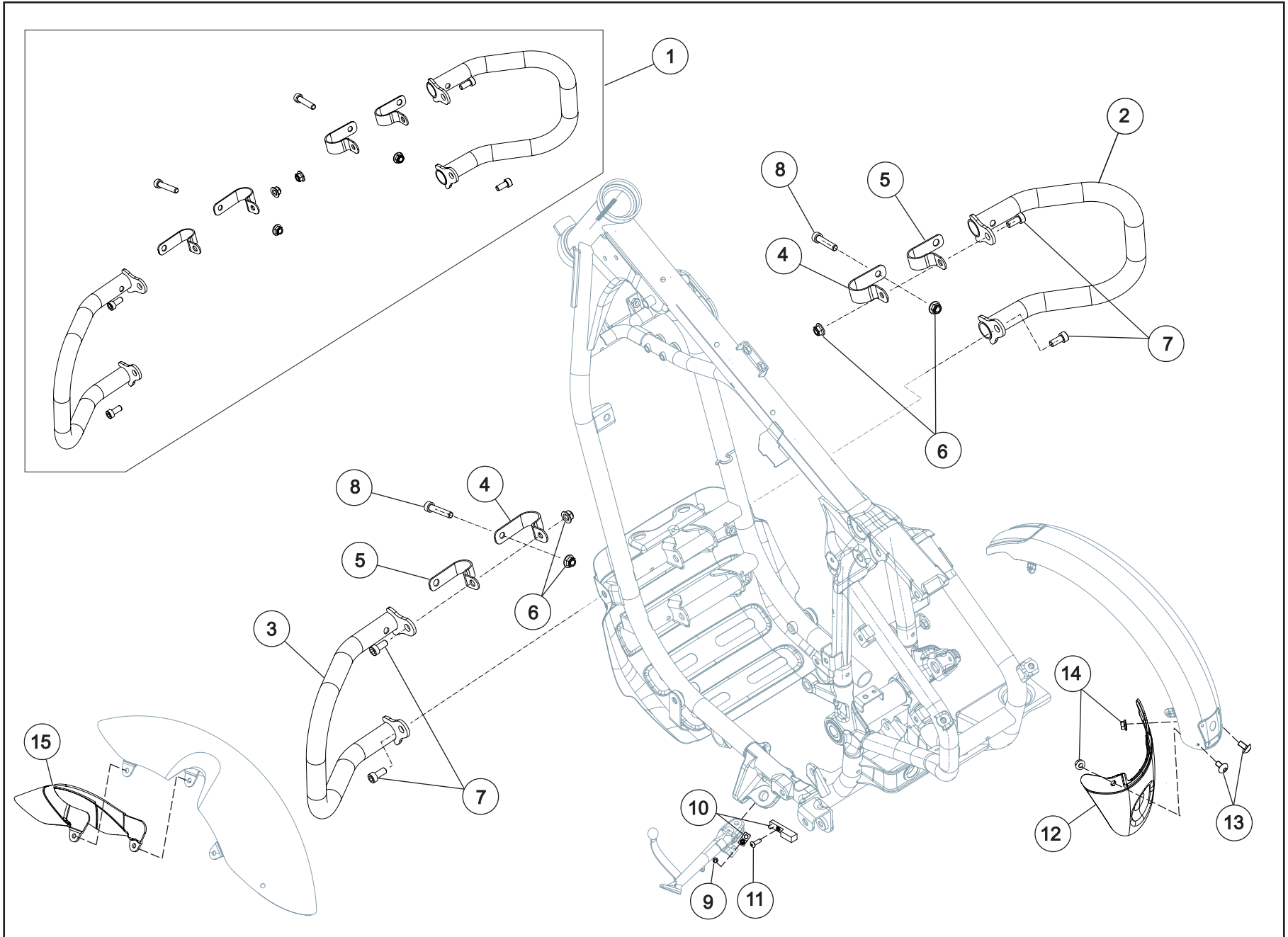
24



DECALS

SR. NO.	PART NO.	PART DESCRIPTION	FRT	QTY	
20	T13200J30060N	DECAL FRONT FENDER RHS REAR	0.4	1	
21	T13200J30070N	DECAL FRONT FENDER LHS FRONT	0.4	1	
22	T13200J30080N	DECAL FRONT FENDER RHS FRONT	0.4	1	
23	T13200J30110N	DECAL LHS SIDE	0.4	1	
24	T13200J30120N	DECAL RHS SIDE	0.4	1	

ACCESSORIES



ACCESSORIES

SR. NO.	PART NO.	PART DESCRIPTION	FRT	QTY	
1	T14020KW0050N	BLACK LEG GUARD KIT-BS VI	0.8	1	
2	T14020KW0040N	BLACK LEG GUARD RH-BS VI	0.4	1	
3	T14020KW0030N	BLACK LEG GUARD LH-BS VI	0.4	1	
4	T14000KW0140N	LEG GURAD BRACKET (BLACK)	0.2	2	
5	T14000KW0180N	RUBBER STRIPS FOR LEG GUARD	0.2	2	
6	TSF0318005	SELF LOCK NUT M8	0.2	4	
7	SP0224002	SOCKET HEAD SCREW M8X18 (BLACK)	0.3	4	
8	TSF0212015	SOCKET HEAD SCREW M8X40	0.1	2	
9	93500-04010-OH	SCREW PAN 4X10	0.1	1	
10	T1501MKW0050N	SIDE STAND SWITCH ASSEMBLY	0.7	1	
11	SP0705016	TRUSS HEAD SCREW M5X16	0.1	1	
12	T13070J30070N	MUD FLAP REAR FENDER	0.2	1	
13	SF0212023	SCREW RDSKT M6X1	0.2	2	
14	65538380	NUT FLANGE 6MM	0.2	2	
15	T13060J30050N	FRONT FENDER FLAP	0.2	1	



CLASSIC LEGENDS PRIVATE LIMITED