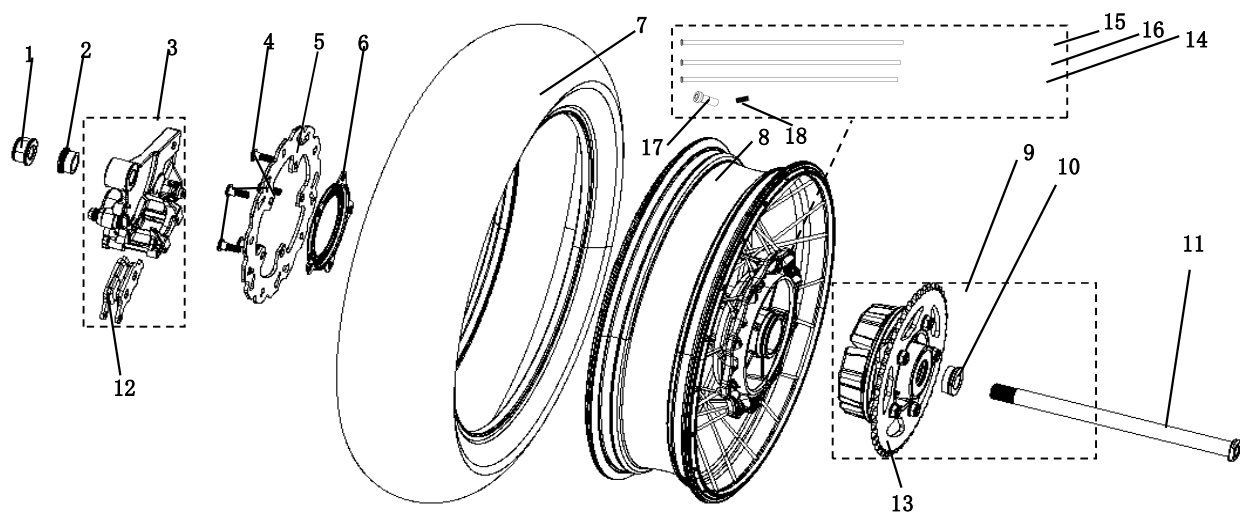
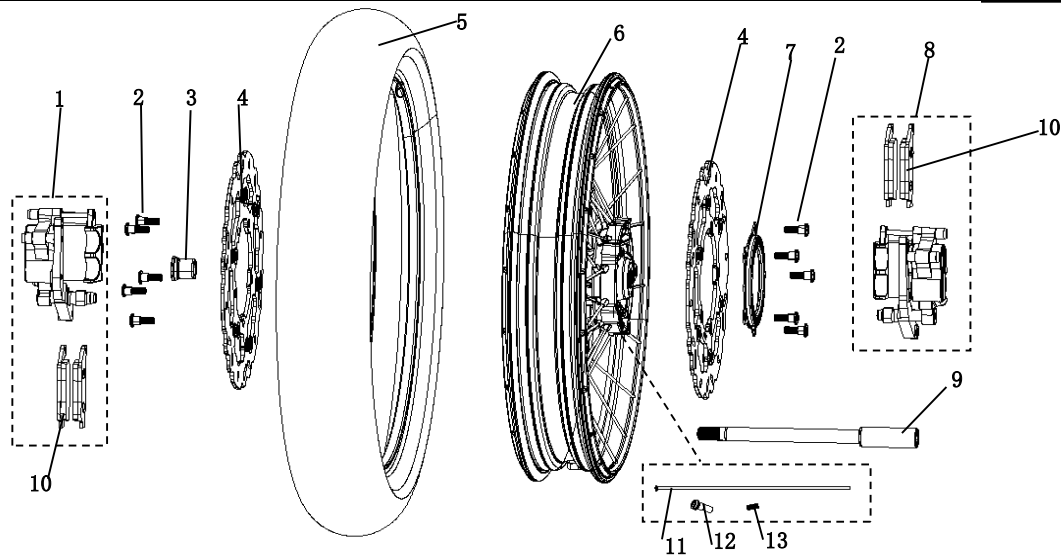


F-1 后轮总成 REAR WHEEL ASSY


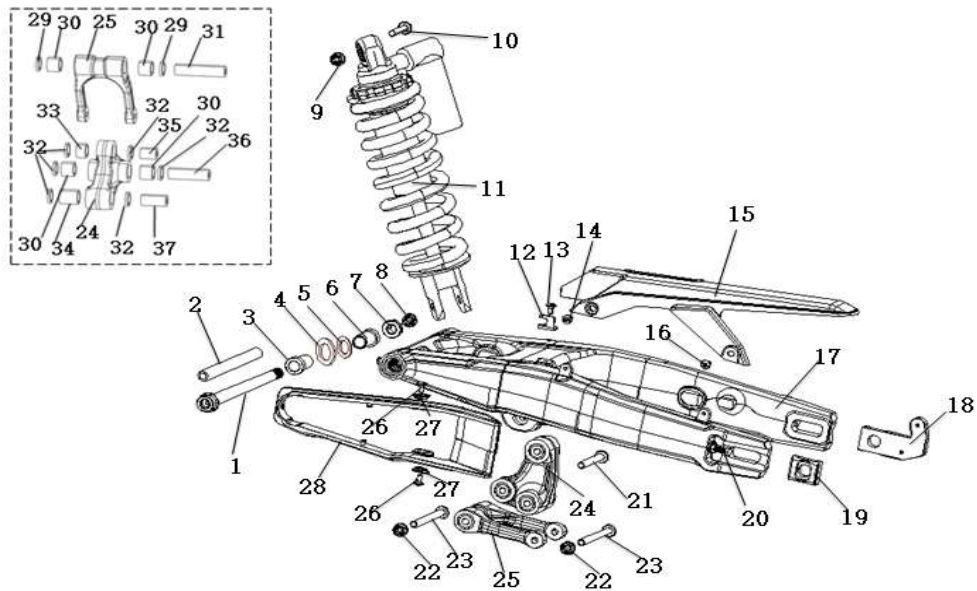
序号	品号	品名/规格		数量	备注	订购数量
S/N.	Part NO.	Name/Specifications		Qty of Per Unit	Remarks	Order Qty
1	5008-20170-LB00	六角螺母M20	Nut M20,Hex.	1		
2	910002-R100-000	后轮衬套-左	Bushing,Rear Wheel(Left)	1		
3	350500-R101-000	后制动卡钳总成	Caliper Assy(Rear)	1	Standard Version	
	350500-R100-000	后制动卡钳总成	Caliper Assy(Rear)	1	NISSIN	
4	5001-08025-LB00	内六角台阶螺钉M8X25	Stepped screw M8X25,Inner Hex.	5		
5	351800-R100-000	后碟刹盘	Brake Disc(Rear)	1	Standard Version	
	351800-Q100-000	后碟刹盘	Brake Disc(Rear)	1	NISSIN	
6	350015-R100-000	ABS齿圈	Sensor Ring,ABS (Rear)	1		
7	350017-R101-000	后轮胎150/70 R17 69H M/C	Tire(Rear)150/70 R17 69H M/C	1	正新CST欧标号 E4 75R -0013454	
	350017-R100-000	后轮胎150/70 R17 69H M/C	Tire(Rear)150/70 R17 69H M/C	1	ETEZELER 欧标号 E3 75R-003054	
	350017-R101-001	后轮胎150/70 R17 69H M/C	Tire(Rear)150/70 R17 69H M/C	1	Standard Version	
8	352500-R101-000	后轮辋 (铝轮)	Rim(Rear)	1	Standard Version	
	352100-R100-000	后轮辋 (网轮)	Rim(Rear)	1	Adventure Version	
9	351900-R100-000	缓冲体总成	Buffer Assy	1		
10	910003-R100-000	后轮衬套-右	Bushing,Rear Wheel(Right)	1		
11	410003-R100-000	后轮轴φ20*308	Axle,Wheel(Rear)φ20*308	1		
12	350501-R101-000	后刹车片	Brake Pad(Rear)	2	Standard Version	
	350501-R100-000	后刹车片	Brake Pad(Rear)	2	Adventure Version	
13	351902-R100-000	大链轮	Large Chain Wheel	1		
14	352101-R100-000	后轮辐条19.5cm	Rear Wheel Spoke(19.5cm)	10	with nipple	
15	352101-R100-001	后轮辐条22.4cm	Rear Wheel Spoke(22.4cm)	20	with nipple	
16	352101-R100-002	后轮辐条21.1cm	Rear Wheel Spoke(21.1cm)	10	with nipple	
17	352103-R100-000	条帽4.25*17	Nut., nipple(4.25X17)	40		
18	352104-R100-000	止附螺栓M4X0.7	Nipple(M4X0.7)	40		

F-2 前轮总成 FRONT WHEEL ASSY



序号	品号	品名/规格		数量	备注	订购数量
S/N.	Part NO.	Name/Specifications		Qty of Per Unit	Remarks	Order Qty
1	350300-R101-000	前制动卡钳总成-左	Caliper Assy(Front,Left)	1	Standard Version	
	350300-R100-000	前制动卡钳总成-左	Caliper Assy(Front,Left)	1	NISSIN	
2	5001-08025-LB00	内六角台阶螺钉M8X25	Stepped screw M8X25,Inner Hex.	10		
3	910001-R100-000	前轮衬套-左	Bushing,Rear Wheel(Left)	1		
4	351700-R100-000	前碟刹盘	Brake Disc(Front)	2		
	351700-Q100-000	前碟刹盘	Brake Disc(Front)	2		
5	350016-R101-000	前轮胎110/80 R19 59H M/C	Tire(Front) 110/80 R19 59H M/C	1	正新欧标号E4 75R-0013455	
	350016-R100-000	前轮胎110/80 R19 59H M/C	Tire(Front) 110/80 R19 59H M/C	1	METEZELER欧标号E375R-003054	
	350016-R101-001	前轮胎110/80 R19 59H M/C	Tire(Front) 110/80 R19 59H M/C	1	Standard Version	
6	352000-R100-000	前轮辋 (铝轮)	Rim(Front)	1	Standard Version	
	352000-R100-001	前轮辋 (网轮)	Rim(Front)	1	Adventure Version	
7	350015-R100-000	ABS齿圈	Sensor Ring,ABS(Front)	1		
8	350400-R101-000	前制动卡钳总成-右	Bushing,Front Wheel(Right)	1	Standard Version	
	350400-R100-000	前制动卡钳总成-右	Bushing,Front Wheel(Right)	1	NISSIN	
9	410001-R100-000	前轮轴φ17*254	Axle,Wheel(Front)φ17*254	1		
10	350301-R101-000	前刹车片	Brake Pad(Front)	4	Standard Version	
	350301-R100-000	前刹车片	Brake Pad(Front)	4	Adventure Version	
11	352001-R100-000	前轮辐条22cm	Front Wheel Spoke(22cm)	40	with nipple	
12	352003-R100-000	条帽2.5*19	Nut., nipple(2.5X19)	40		
13	352004-R100-000	止附螺栓M4.5X0.75	Nipple(M4.5X0.75)	40		

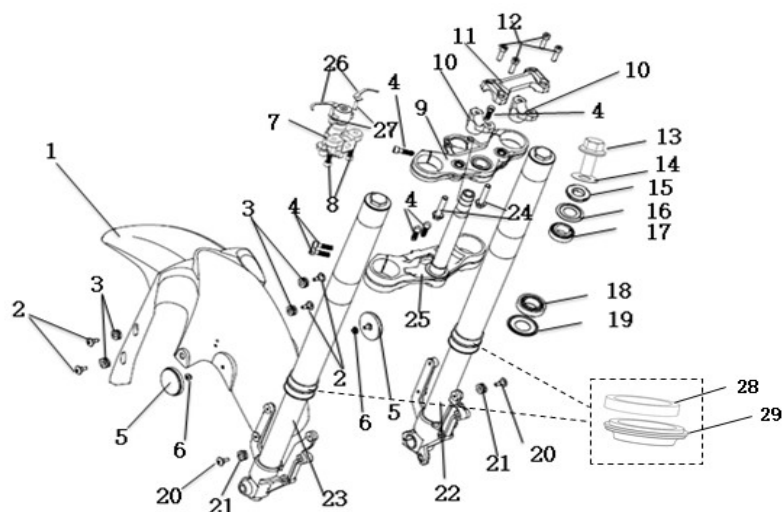
F-3后悬挂 REAR SUSPENSION



序号	品号	品名/规格		数量	备注	订购数量
S/N.	Part NO.	Name/Specifications		Qty of Per Unit	Remarks	Order Qty
1	410002-R100-000	平叉轴φ17*275	Axle φ17*275, Rear Arm	1		
2	910005-R100-000	平叉衬管φ17.3*φ24*148	Sleeve,Rear Arm	1		
3	910006-R100-000	平叉轴承衬套φ17*φ22	Bushing,Rear Arm Bearing	2		
4	5103-283507-000	油封φ28*φ35*7	Oil Seal	2		
5	5018-22030-BS00	平垫φ22*φ32*3	Washer,Flat φ22*φ32*3	2		
6	5102-222930-BS0	滚针轴承φ22*φ29*30	Needle Bearing	2		
7	5018-17025-LB00	平垫φ17Xφ32X2.5	Washer,Flat φ17Xφ32X2.5	1		
8	5008-16145-LB00	六角法兰面自锁螺母M16	Nut M16, Hex. Flange Self-Lock	1		
9	5008-10115-LB00	六角法兰自锁螺母M10	Nut M10, Hex. Flange Self-Lock	1		
10	5001-10045-LB00	六角法兰螺钉M10X45	Screw M10X45, Hex. Flange	1		
11	371500-R101-000	后减震器	Shock Absorber(Rear)	1	YUAN	
	371500-R100-001	后减震器	Shock Absorber(Rear)	1	KYB	
12	350010-R100-000	链盒挂钩	Hanger,Chain Case	1		
13	5004-06012-BS00	内六角大盘头螺钉M6X12	Screw M6X12,Inner Hex. Big Flat Head	1		
14	5004-06012-BS01	内六角台阶螺钉M6X12	Stepped screw M6X12,Inner Hex.	1		
15	390014-R100-000	链盒	Chain Case	1		
16	5004-06012-BS01	内六角台阶螺钉M6X12	Stepped screw M6X12,Inner Hex.	1		
17	360300-R100-000	平叉	Rear Arm	1		
18	370012-R100-000	链条调节器-右	Chain Adjuster(Right)	1		
19	370011-R100-000	链条调节器-左	Chain Adjuster(Left)	1		
20	5002-08055-JL00	六角螺钉M8X55	Bolt M8X55,Hex.	2		
21	5001-10110-LB00	六角法兰螺钉M10X110	Screw M10X110, Hex.Flange	2		
22	5001-10080-JL00	六角法兰螺钉M10X80	Screw M10X80, Hex.Flange	1		

23	5008-10115-LB00	六角法兰自锁螺母M10	Bolt M10, Hex.Flange Self-Lock	2	
24	360007-R100-000	三角摇架	Triangle Rocker	1	
25	360008-R100-000	U型摇架	Rocker, U Shaped	1	
26	5005-06012-LB00	十字半圆头螺钉M6X12	Screw M6X12, Cross-Shaped,Half Cup Head	2	
27	420018-R100-000	链条护卡压板	Pressplate,Chain Protecting Plate	2	
28	370017-R100-000	链条护卡	Protecting Plate, Chain	1	
29	5103-202604-000	油封φ20*φ26*4	Oil Seal φ20*φ26*4	2	
30	5102-202620-BS0	滚针轴承φ20*φ26*20	Needle Bearing φ20*φ26*20	4	
31	910007-R100-000	轴承套φ10*φ20*82	Collar, Bearing φ10*φ20*82	1	
32	5103-202605-000	油封φ20*φ26*5	Oil Seal φ20*φ26*5	6	
33	5102-202616-BS0	滚针轴承φ20*φ26*16	Needle Bearing φ20*φ26*16	1	
34	5102-202630-BS0	滚针轴承φ20*φ26*30	Needle Bearing φ20*φ26*30	1	
35	910007-R100-002	轴承套 φ10*φ20*26	Collar, Bearing φ10*φ20*26	1	
36	910007-R100-001	轴承套 φ10*φ20*65.5	Collar, Bearing φ10*φ20*65.5	1	
37	910007-R100-003	轴承套 φ10*φ20*41	Collar, Bearing φ10*φ20*41	1	

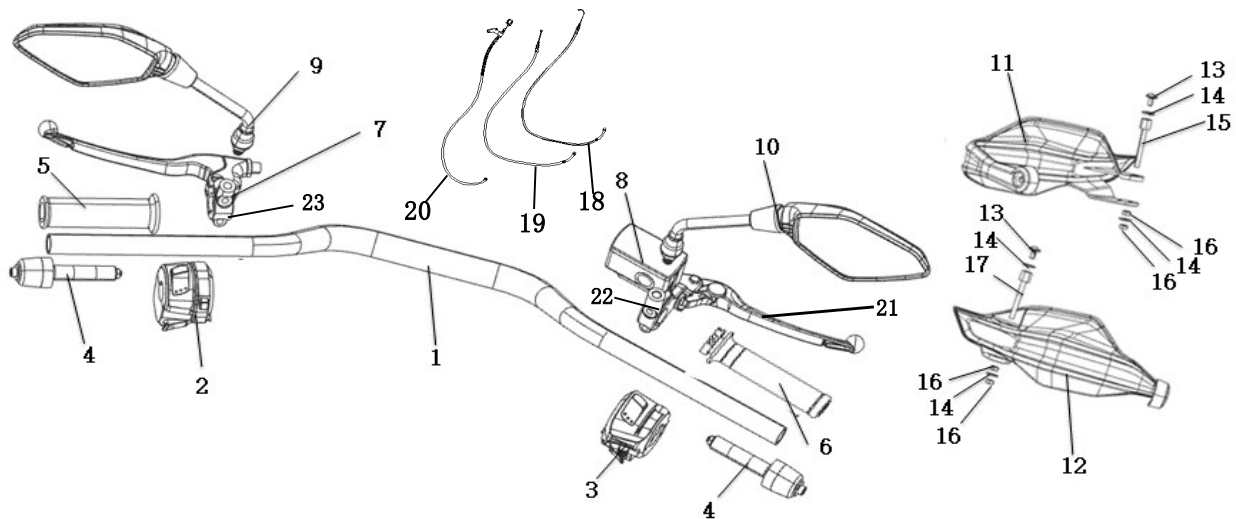
F-4前悬挂 FRONT SUSPENSION



序号	品号	品名/规格		数量	备注	订购数量
S/N.	Part NO.	Name/Specifications		Qty of Per Unit	Remarks	Order Qty
1	390015-R100-B00	前挡泥板	Front Fender	1		
2	5001-06020-LB00	六角法兰面螺栓M6X20 (带翻边衬套)	Bolt M6X20,Hex.Flange(With Flange Collar)	4		
3	420008-R100-000	工字胶圈	Ring, Rubber I-Shaped	4		
4	5003-08030-LB00	内六角圆柱头螺钉m8x30	Screw M8X30,Inner Hex.Countersunk Head	6		
5	340600-R100-000	侧反射器	Reflector,Side	2		
6	5008-05050-LB00	六角法兰面螺母M5	Bolt M5, Hex. Flange	2		
7	331500-R100-000	点火锁盖	Cap,Ignition Lock	1		

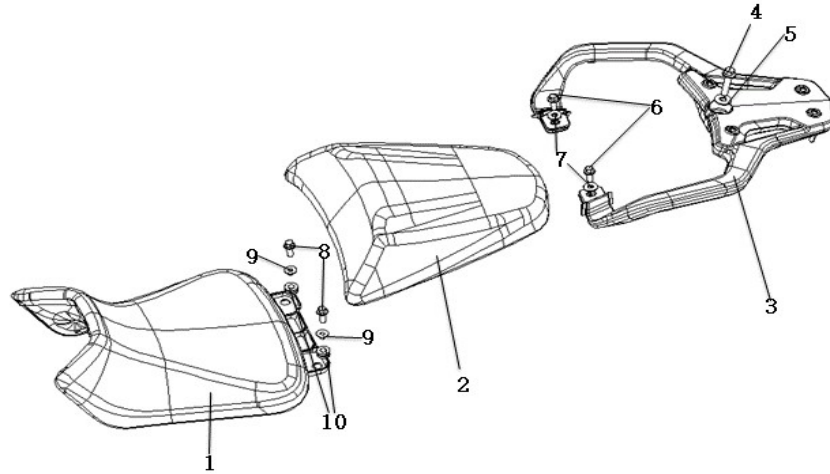
8	5003-08020-LB00	内六角圆柱头螺钉M8X20	Screw M8X20, Inner Hex.Column Head	2		
9	370200-R100-000	上连接板	Connecting Plate, Upper	1		
10	370001-R100-000	方向把下卡座	Holder, Handle Bar Lower	2		
11	370002-R100-000	方向把上卡子	Clip, Handle Bar Upper	1		
12	5003-08030-LB00	内六角圆柱头螺钉M8X30	Screw M8X30, Inner Hex.Column Head	4		
13	5001-14030-YH00	六角法兰面螺栓M14×30	Screw M14X30, Hex.Column Flange	1		
14	5018-15010-LB00	平垫φ15Xφ33X1	Washerφ15Xφ33X1, Flasher	1		
15	5010-25100-LB00	4槽调节螺母M25X1.0	Nut, Adjustable 4 Groove M25X1.0	1		
16	371100-R100-000	方向柱上防尘盖	Upper Cap,Steering Column Anti-Dust	1		
17	370600-R100-000	方向上轴承	Bearing, Steering Column Upper	1		
18	370700-R100-000	方向下轴承	Bearing, Steering Column Lower	1		
19	371200-R100-000	方向柱下防尘盖	Lower Cap,Steering Column Anti-Dust	1		
20	5004-06020-BS00	内六角台阶螺钉M6X20	Stepping Screw M6X20,Inner Hex.	2		
21	420008-R100-000	工字胶圈	Ring, Rubber I-Shaped	2		
22	371300-R101-000	前减震器-左	Front Shock Absorber(Left)	1	YUAN	
	371300-R100-001	前减震器-左	Front Shock Absorber(Left)	1	L/R together KYB	
23	371400-R101-000	前减震器-右	Front Shock Absorber(Right)	1	YUAN	
	371400-R100-001	前减震器-右	Front Shock Absorber(Right)	1	KYB	
24	5001-10055-LB00	六角法兰面螺栓m10x55	Bolt M10X55, Hex. Flange	2		
25	370100-R100-000	方向柱总成	Steering Column Assy	1		
26	350012-R100-000	上连板线钩	Clip,Upper Connecting Plate	2		
27	5005-05016-BS00	十字大盘头螺钉M5X16	Screw M5X16, Cross-Shaped,Big Cup Head	2		
28	371301-R101-000	前减震油封	Shock Absorber Oil Seal(Front)	1	Standard Version	
	371301-R100-000	前减震油封	Shock Absorber Oil Seal(Front)	1	Adventure Version	
29	371302-R101-000	前减震防尘封	Shock Absorber Dust Seal(Front)	1	Standard Version	
	371302-R100-000	前减震防尘封	Shock Absorber Dust Seal(Front)	1	Adventure Version	

F-5方向把管总成 HANDLEBAR ASSEMBLY



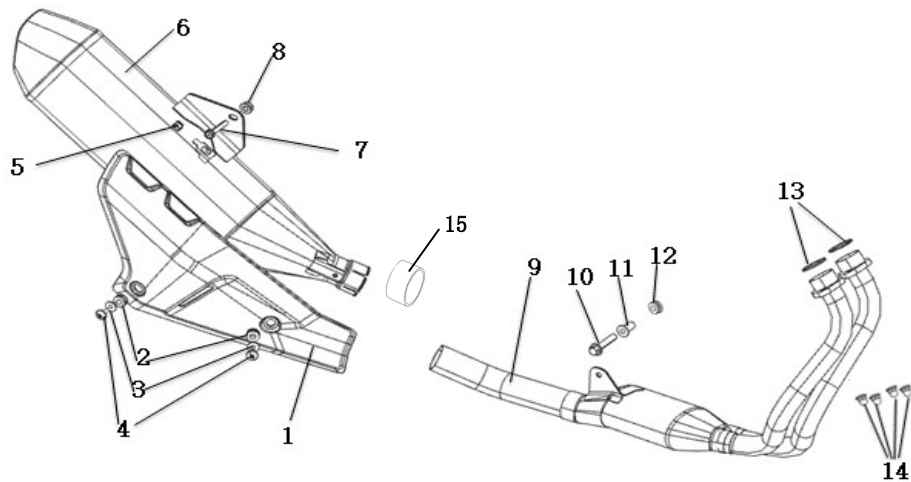
序号	品号	品名/规格		数量	备注	订购数量
S/N.	Part NO.	Name/Specifications		Qty of Per Unit	Remarks	Order Qty
1	380300-R100-000	方向把	Handle Bar	1		
2	331000-R100-000	手把开关-左	Switch(Left), Handle Bar	1		
3	331100-R100-000	手把开关-右	Switch(Right), Handle Bar	1		
4	380400-R100-000	方向把平衡锤	Balancer,Handle Bar	2		
5	380100-R100-000	手把胶-左	Grip(Left),Handle Bar	1		
6	380200-R100-000	手把胶总成-右	Grip(Right),Handle Bar	1		
7	330900-R100-000	离合手柄总成	Lever,Clutch	1		
8	350200-R101-000	前制动泵	Pump Assy,Front Brake	1	Standard Version	
	350200-R100-000	前制动泵	Pump Assy,Front Brake	1	Adventure Version	
9	400100-R100-000	后视镜总成-左	Rear View Mirror(Left)	1		
	400100-R100-001	后视镜总成-左	Rear View Mirror(Left)	1	欧标号: E4 000304	
10	400200-R100-000	后视镜总成-右	Rear View Mirror(Right)	1		
	400200-R100-001	后视镜总成-右	Rear View Mirror(Right)	1	欧标号: E4 000304	
11	390007-R100-000	手挡风-左	Hand Shield(Left)	1		
12	390008-R100-000	手挡风-右	Hand Shield(Right)	1		
13	5004-06012-BS00	内六角大盘头螺钉M6X12	Screw M6X12,Inner Hex. Big Flat Head	2		
14	5018-06015-LB00	平垫φ6Xφ18X1.5	Washer φ6Xφ18X1.5,Flat	4		
15	5007-06056-LB01	手挡风专用螺钉-左	Special Screw, Hand Shield (Left)	1		
16	5008-06050-LB00	六角螺母M6	Bolt M6,Hex.	4		
17	5007-06056-LB00	手挡风专用螺钉-右	Special Screw, Hand Shield(Right)	1		
18	310700-R100-000	油门拉索A	Throttle Cable A	1		
19	310800-R100-000	油门拉索B	Throttle Cable B	1		
20	380500-R100-000	离合拉索	Clutch Cable	1		
21	350201-R101-000	前制动手柄	Front Brake Handle	1	Standard Version	
	350201-R100-000	前制动手柄	Front Brake Handle	1	Adventure Version	
22	350202-R100-000	制动手柄卡座	Holder,Brake Handle	1		
23	330901-R100-000	离合手柄卡座	Holder,Lever Clutch	1		

F-6座椅 SEAT



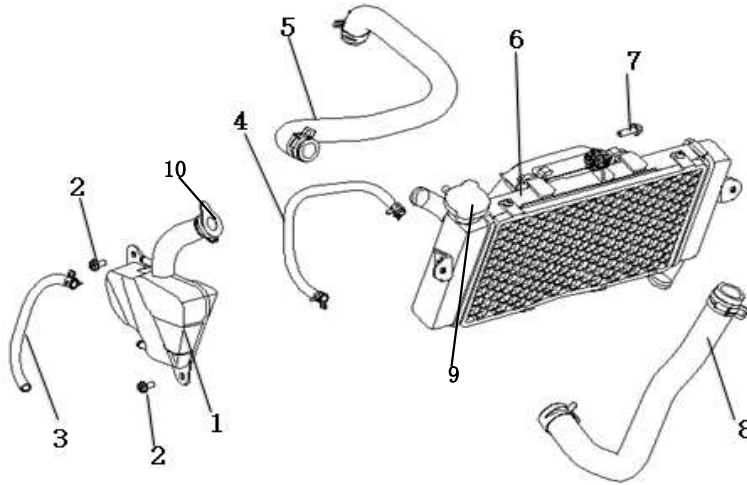
序号	品号	品名/规格		数量	备注	订购数量
S/N.	Part NO.	Name/Specifications		Qty of Per Unit	Remarks	Order Qty
1	360100-R100-000	前座垫总成	Seat Assy (Front)	1		3
2	360200-R100-000	后座垫总成	Seat Assy (Rear)	1		3
3	360019-R100-000	后扶手	Handrail (Rear)	1		6
4	5001-10045-LB00	六角法兰面螺栓M10X45	Screw M10X45, Hex. Flange	1		5
5	5018-10020-LB00	平垫φ10Xφ25X2	washer φ10Xφ25X2,Flat	1		5
6	5001-08025-LB00	六角法兰面螺栓M8X25	Screw M8X25, Hex. Flange	2		5
7	5018-08020-LB00	平垫φ8Xφ20.5X2	washerφ8Xφ20.5X2,Flat	2		5
8	5001-06020-LB00	六角法兰面螺栓M6X20	Screw M6X20, Hex. Flange	2		5
9	5013-06008-LB00	翻边衬套 φ6Xφ18X8	Collar,Flange φ6Xφ18X8	2		5
10	420008-R100-000	工字胶圈	Ring, Rubber I-Shaped	2		5

F-7消声器总成 MUFFLER



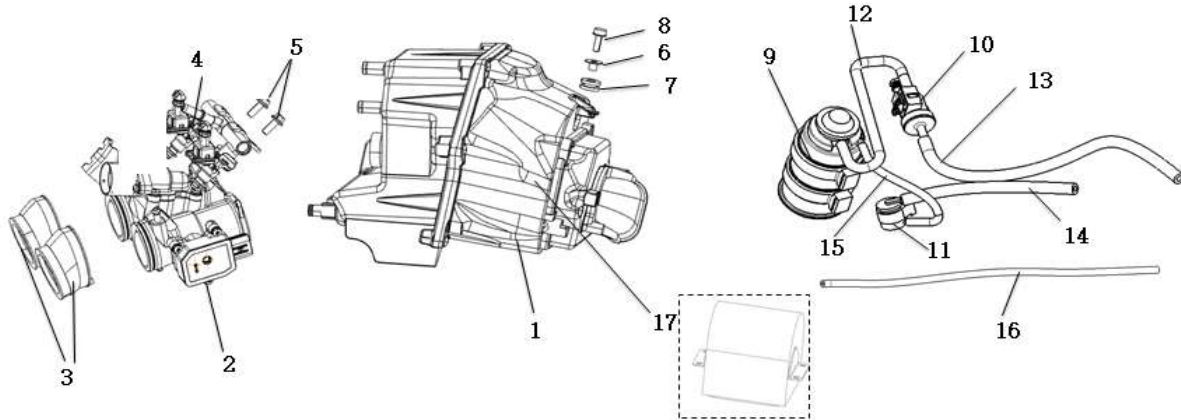
序号	品号	品名/规格		数量	备注	订购数量
S/N.	Part NO.	Name/Specifications		Qty of Per Unit	Remarks	Order Qty
1	390016-R100-000	消声器护罩	Cover, Muffler Assy	1		
2	420008-R100-000	工字胶圈	Ring, Rubber I-Shaped	3		
3	5013-06008-LB00	翻边衬套 φ6Xφ18X8	Collar, Flange φ6Xφ18X8	2		
4	5001-06020-LB00	六角法兰面螺栓M6X20	Bolt M6X20, Hex. Flange	2		
5	420010-R100-000	消声器护板缓冲胶垫	Buffer Cushion, Muffler Protecting Plate	1		
6	320200-R100-000	消声器后段总成	Rear Part, Muffler Assy	1	不锈钢带双排气口, 印ZF500GY标识	
	320200-R100-002	消声器后段总成	Rear Part, Muffler Assy	1	e13-KY-500X ZF500GY-CM 6GH/BT	
7	5001-08045-LB00	六角法兰面螺栓M8X45	Bolt M8X45, Hex. Flange	1		
8	5008-08085-LB00	自锁法兰螺母M8	Bolt M8, Self-Lock	1		
9	320100-R100-000	消声器前段总成	Exhausting Pipe, Muffler Assy	1	不锈钢, 带触媒双排气管	
	320100-R100-001	消声器前段总成	Exhausting Pipe, Muffler Assy	1	不锈钢, 出口不带触媒	
	320100-R100-002	消声器前段总成	Exhausting Pipe, Muffler Assy	1	不锈钢, 带欧标触媒	
10	5001-10050-LB00	六角法兰面螺栓M10X50	Bolt M10X50, Hex. Flange	1		
11	5013-10028-LB00	翻边衬套 φ10Xφ24X28	Bushing, Flange φ10Xφ24X28	1		
12	420011-R100-000	消声器安装工字胶	Installation Rubber, Muffler I-Shaped	1		
13	320001-R100-000	消声器密封垫	Seal Gasket, Muffler Assy	2		
14	5008-08165-LB00	盖形螺母M8	Bolt M8, Cap	4		
15	320002-R100-000	消声器连接石棉垫	Asbestos connecting pad, Muffler	1		

F-8冷却系统 COOLING SYSTEM



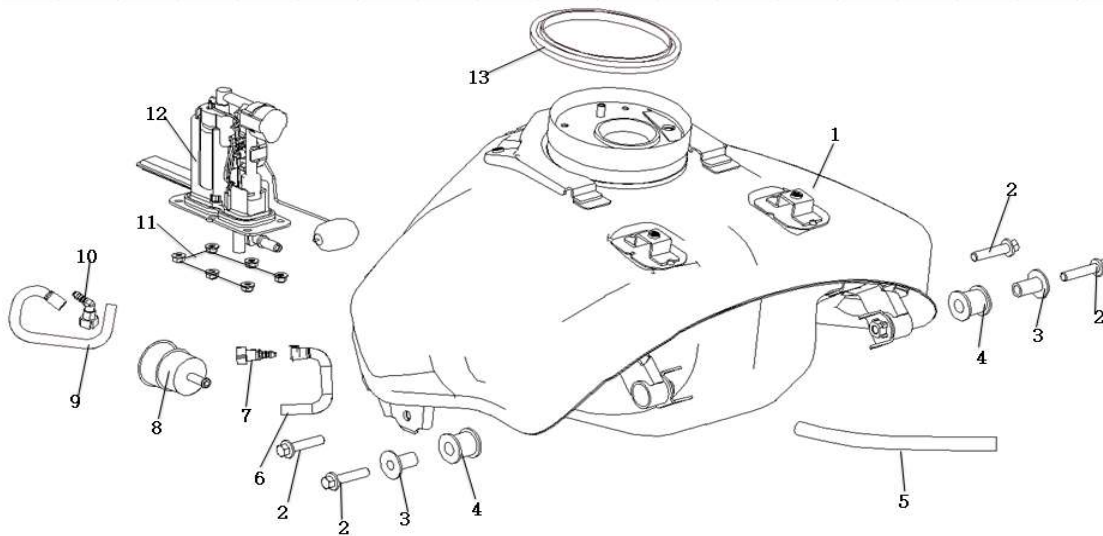
序号	品号	品名/规格		数量	备注	订购数量
S/N.	Part NO.	Name/Specifications		Qty of Per Unit	Remarks	Order Qty
1	300200-R100-000	储水壶总成	Cooling Tank Assy.	1		
2	5001-06012-LB00	六角法兰面螺栓	Bolt,Hex. Flange	2		
3	420700-R100-000	储水壶排水管	Drain Pipe,Cooling Tank Assy.	1		
4	420027-R100-000	泄压管	Pressure Relif Pipe	1		
5	420021-R100-000	出水管	Outlet Pipe	1		
6	300100-R100-000	散热器总成	Radiator Assy	1		
7	5001-06020-LB00	六角法兰面螺栓M6X20	Bolt M6X20,Hex. Flange	1		
8	420020-R100-000	进水管	Inlet Pipe	1		
9	300103-R100-000	散热器盖子	Radiator Cover	1		
10	300201-R100-000	储水壶盖子	Cooling Tank Cover	1		

F-9空滤系统 AIR FILTRATION SYSTEM



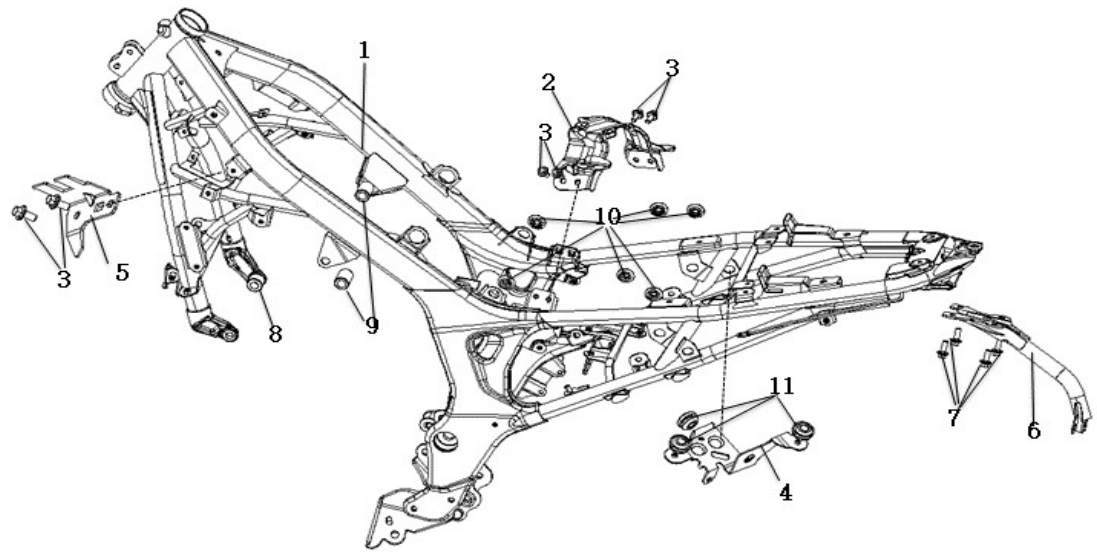
序号	品号	品名/规格		数量	备注	订购数量
S/N.	Part NO.	Name/Specifications		Qty of Per Unit	Remarks	Order Qty
1	320300-R100-000	空滤器总成	Air Filter	1		
2	310100-R100-000	节气门总成	Throttle Body Assy	1		
3	320500-R100-000	进气管总成	Intake Pipe Assy	2		
4	310600-R100-000	油轨总成	Oil Rail Assy	1		
5	5001-06020-LB00	六角法兰面螺栓M6X20	Bolt M6X20,Hex. Flange	2		
6	5013-06008-LB00	翻边衬套 φ10Xφ24X28	Bushing, Flange φ10Xφ24X28	1		
7	420008-R100-000	工字胶圈	Ring, Rubber I-Shaped	1		
8	5001-06012-LB00	六角法兰面螺栓M6X12	Bolt M6X12,Hex. Flange	1		
9	320400-R100-000	碳罐	Carbon Canister	1		
10	320600-R100-000	碳罐电磁阀	Electromagnetic Valve,Carbon Canister	1		
11	330500-R100-000	倾倒阀	Toppling Valve	1		
12	420300-R100-000	碳罐连接管2	Connecting pipe 2,Carbon Canister	1		
13	420400-R100-000	碳罐连接管3	Connecting pipe 3,Carbon Canister	1		
14	420200-R100-000	碳罐连接管1	Connecting pipe 1,Carbon Canister	1		
15	420600-R100-000	碳罐连接管5	Connecting pipe 5,Carbon Canister	1		
16	420500-R100-000	碳罐连接管4	Connecting pipe 4,Carbon Canister	1		
17	320301-R100-000	空滤器滤芯	Core,Air Filter	1		

F-10油箱总成 FUEL TANK



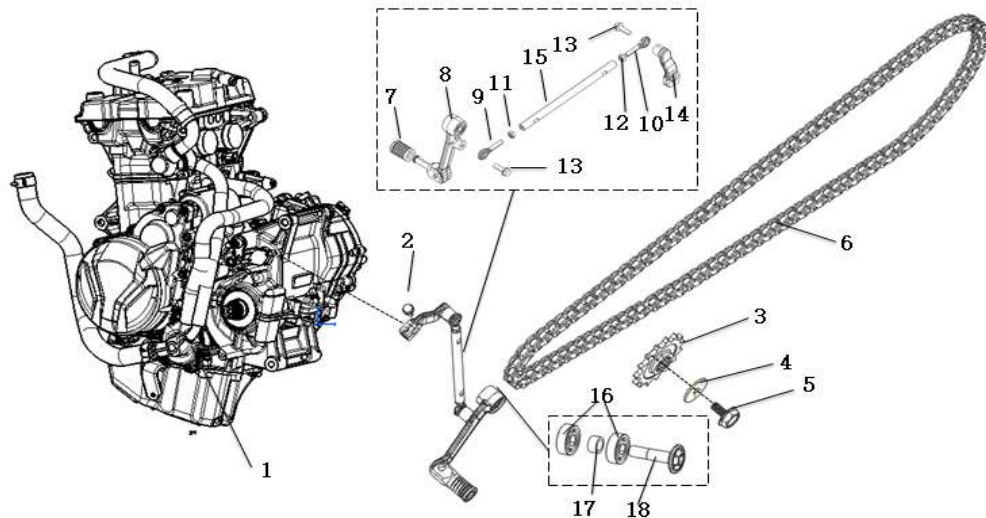
序号	品号	品名/规格		数量	备注	订购数量
S/N.	Part NO.	Name/Specifications		Qty of Per Unit	Remarks	Order Qty
1	310300-R100-000	油箱	Fuel Tank	1		
2	5001-08035-LB00	六角法兰面螺栓M8X35	Bolt M8X35,Hex.Flange	4		
3	5013-10024-LB00	翻边衬套φ10Xφ28X24	Bushing φ10Xφ28X24,Flange	2		
4	420005-R100-000	油箱安装工字胶	Installment Rubber,Fuel Tank I-Shaped	2		
5	420800-R100-000	油箱排水管	Drain Pipe, Fuel Tank	1		
6	420001-R100-000	燃油管1	Fuel Pipe 1	1		
7	350100-R100-000	快速接头	Connector	1		
8	310500-R100-000	燃油滤清器	Fuel Filter	1		
9	420002-R100-000	燃油管2	Fuel Pipe 2	1		
10	350100-R100-001	快速接头	Connector	1		
11	5008-05050-LB00	六角法兰面螺母M5	Nut M5,Hex.Flange	6		
12	310400-R100-000	燃油泵	Fuel Pump	1		
13	420017-R100-000	油箱锁胶圈	Rubber Ring, Fuel Tank Lock	1		

F-11车架 FRAME



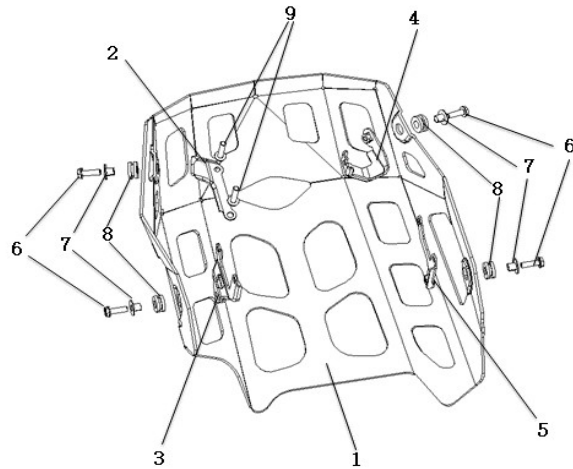
序号	品号	品名/规格		数量	备注	订购数量
S/N.	Part NO.	Name/Specifications		Qty of Per Unit	Remarks	Order Qty
1	360006-R100-000	车架焊接总成	Frame Assy	1		
2	360003-R100-000	座垫支架	Bracket, Seat	1		
3	5001-06012-LB00	六角法兰面螺栓M6X12	Bolt M6X12,Hex. Flange	6		
4	350008-R100-000	ABS支架	Bracket,ABS	1		
5	350011-R100-000	碳罐支架	Bracket,Carbon Canister	1		
6	390022-R100-B00	后轮小挡泥板支架	Bracket,Rear Wheel Fender	1		
7	5005-06012-BS00	十字大盘头螺钉M6X12	Screw M6X12, Cross-Shaped,big Cup Head	4		
8	910004-R100-000	衬套	Bushing	1		
9	910004-R100-001	衬套	Bushing	2		
10	420007-R100-001	腰形蘑菇头胶圈	Rubber Ring,Waist Type, Mushroom Head	6		
11	420012-R100-000	ABS支架缓冲胶圈	Rubber Ring ,Buffer,ABS Bracket	3		

F-12发动机、链条、换挡杆 ENGINE、CHAIN、SHIFT LEVER



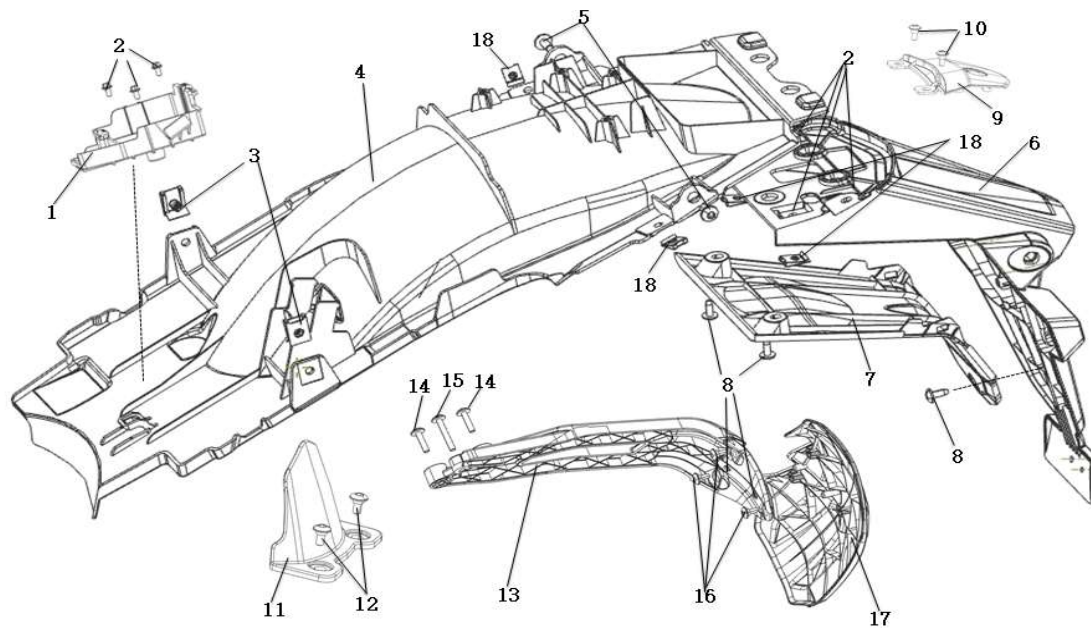
序号	品号	品名/规格		数量	备注	订购数量
S/N.	Part NO.	Name/Specifications		Qty of Per Unit	Remarks	Order Qty
1	AEBR01-05	发动机总成	Engine Assy	1		
2	5001-06020-LB00	六角法兰面螺栓M6X20	Bolt M6X20,Hex. Flange	1		
3	350007-R100-000	小链轮	Sprocket (Front)	1		
4	5018-10025-HX00	平垫φ10*φ37*2.5垫片	Washer φ10*φ37*2.5,Flasher	1	With Engine Assy	
5	5001-10022-LB00	六角法兰面螺栓M10X22	Bolt M10X22,Hex. Flange	1	With Engine Assy	
6	352300-R100-000	链条	Chain	1	AFAM 520*C2/112	
7	420013-R100-000	变档杆胶套	Rubber Cover,Gear Shift Lever	1		
8	370200-R100-000	变档踏板总成	Pedal,Gear Shift	1		
9	371600-R100-000	变档杆端轴承 (右旋)	Bearding(Right-Hand Thread),Gear Shift Lever	1		
10	371600-R100-001	变档杆端轴承 (左旋)	Bearding(Left-Hand Thread),Gear Shift Lever	1		
11	5008-06050-LB00	M6螺母 (右旋)	Nut M6(Right-Hand Thread)	1		
12	5008-06050-BS00	M6螺母 (左旋)	Nut M6(Left-Hand Thread)	1		
13	5001-06020-LB00	六角法兰面螺栓M6X20	Bolt M6X20,Hex. Flange	2		
14	370008-R100-000	变档摇臂	Rocker Arm, Gear Shift	1		
15	370007-R100-000	变档拉杆	Drawbar, Gear Shift	1		
16	5101-082207-BS0	轴承	Bearing	2		
17	910004-R100-002	衬套 φ8*φ12*6	Cushion φ8*φ12*6	1		
18	5001-08035-LB00	六角法兰面螺栓M8X35	Bolt M8X35,Hex.Flange	1		

F-13发动机下护板 ENGINE LOWER GUARD PLATE



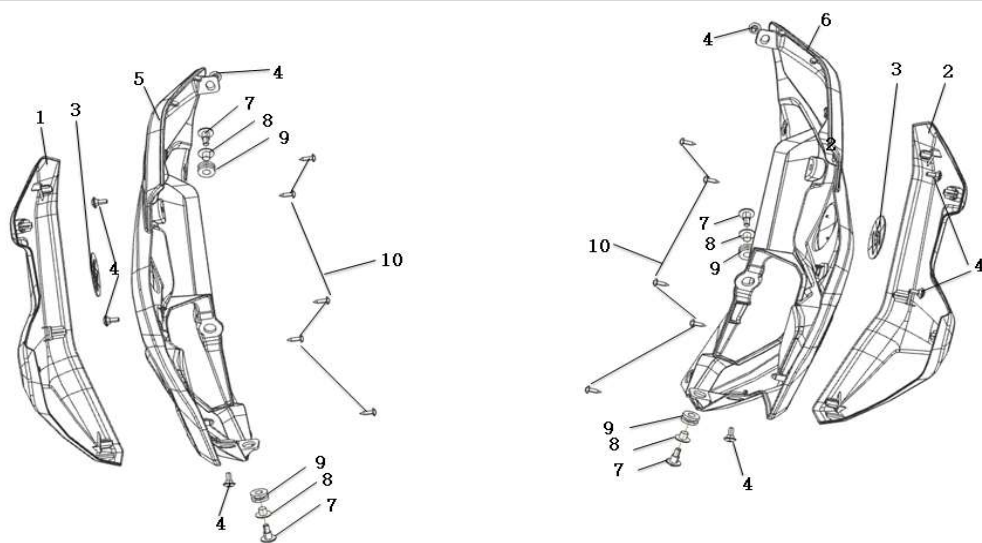
序号	品号	品名/规格		数量	备注	订购数量
S/N.	Part NO.	Name/Specifications		Qty of Per Unit	Remarks	Order Qty
1	390029-R100-000	发动机下护板	Protecting Plate, Engine	1		
2	360015-R100-000	发动机下护板左前支架	Bracket(Front Left), Engine Protecting Plate	1		
3	360017-R100-000	发动机下护板左后支架	Bracket(Front Right), Engine Protecting Plate	1		
4	360016-R100-000	发动机下护板右前支架	Bracket(Rear Left), Engine Protecting Plate	1		
5	360018-R100-000	发动机下护板右后支架	Bracket(Rear Right), Engine Protecting Plate	1		
6	5001-06020-LB00	六角法兰面螺栓M6X20	Bolt M6X20,Hex. Flange	4		
7	5013-06008-LB00	翻边衬套 φ6Xφ18X8	Bushing, Flange φ6Xφ18X8	4		
8	420008-R100-000	工字胶圈	Ring, Rubber I-Shaped	4		
9	5001-06030-LB00	六角法兰面螺栓M6X30	Bolt M6X30,Hex. Flange	2		

F-14后挡泥板、电池盒、尾盖 REAR FENDER、BATTERY CASE、TAIL COVER



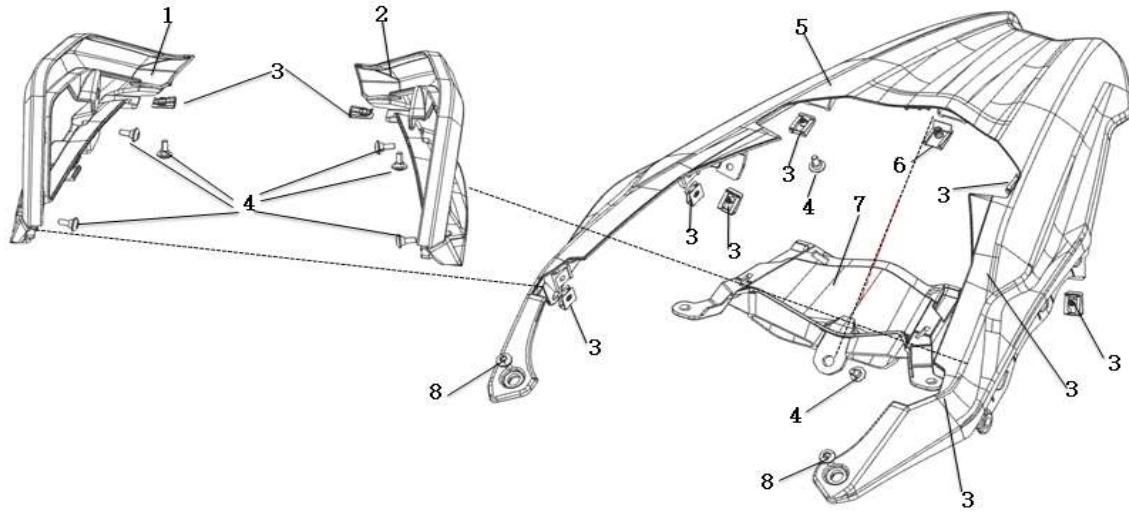
序号	品号	品名/规格		数量	备注	订购数量
S/N.	Part NO.	Name/Specifications		Qty of Per Unit	Remarks	Order Qty
1	390017-R100-000	电瓶盒	Case, Battery	1		
2	5001-06012-LB00	六角法兰面螺栓M6X12	Bolt M6X12,Hex. Flange	3		
3	5009-06080-LB00	螺丝夹板M6	Clip, Bolt M6	2		
4	390019-R100-000	后挡泥前段	Front Part,Rear Fender	1		
5	5001-06012-LB00	六角法兰面螺栓带平垫M6X12	Bolt M6X12,Hex. Flange With Flat Washer	2		
6	390020-R100-000	后挡泥后段	Rear Part,Rear Fender	1		
7	390002-R100-000	后挡泥内衬板	Inner Liner,Rear Fender	1		
8	5006-04012-LB00	自攻螺钉头M4.8X12	Tapping Screw M4.8X12, T Head	5		
9	390004-R100-B00	后尾盖	Cap, Rear Tail	1		
10	5004-06016-BS01	内六角台阶螺钉M6X16	Stepping Screw M6X16,Inner Hex.	2		
11	390003-R100-000	后减震护罩	Protecting Cap, Shock Absorber(Rear)	1		
12	5004-06012-BS00	内六角大盘头螺钉M6X12	Screw M6X12,Inner Hex. Big Flat Head	2		
13	390022-R100-B00	后轮小挡泥板支架	Bracket, Rear Wheel Small Fender	1		
14	5001-06025-LB00	六角法兰面螺栓M6X25	Bolt M6X25,Hex.Flange	2		
15	5001-06045-LB00	六角法兰面螺栓M6X45	Bolt M6X45,Hex.Flange	1		
16	5005-05012-HX00	十字大盘头螺钉M5X12	Screw M5X12, Cross-Shaped,Big Cup Head	3		
17	390021-R100-000	后轮小挡泥板	Small Fender, Rear Wheel	1		
18	5009-04040-LB00	自攻钉夹板	Clip, Tapping Screw	4		
19	420009-R100-000	后牌照缓冲胶	Rear Licence Cushion	1		

F-15油箱下护板、油箱下护板装饰件 FUEL TANK LOWER COVER、DECORATIVE COVER FOR LOWER COVER OF TANK



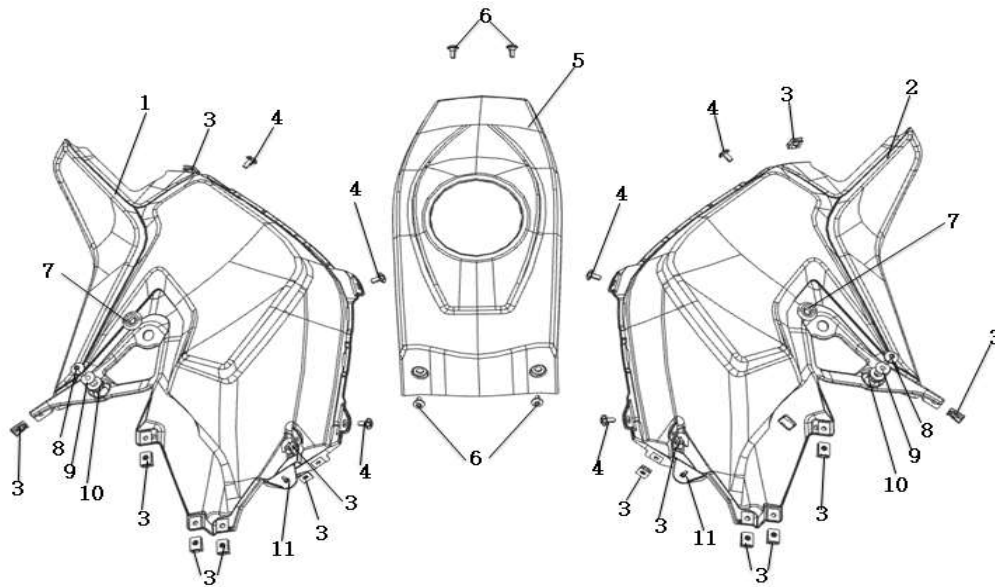
序号	品号	品名/规格		数量	备注	订购数量
S/N.	Part NO.	Name/Specifications		Qty of Per Unit	Remarks	Order Qty
1	390038-R100-W00	油箱下护板装饰件-左	Decorating Plate(Left),Fuel Tank Lower Protecting	1		
2	390039-R100-W00	油箱下护板装饰件-右	Protecting Plate(Right),Fuel Tank Lower Protecting	1		
3	900100-R100-000	油箱下护板标牌	Sticker, Fuel Tank Lower Protecting	2		
4	5004-05013-BS00	内六角台阶螺钉M5X13	Stepping Screw M5X13,Inner Hex.	8		
5	390030-R100-000	油箱下护板-左	Lower Protecting Plate(Left),Fuel Tank	1		
6	390031-R100-000	油箱下护板-右	Lower Protecting Plate(Right),Fuel Tank	1		
7	5001-06020-LB00	六角法兰面螺钉M6X20	Screw M6X20, Hex. Flange	4		
8	5013-06008-LB00	翻边衬套 φ6Xφ18X8	Bushing, Flange φ6Xφ18X8	4		
9	420008-R100-000	工字胶圈	Ring, Rubber I-Shaped	4		
10	5006-04013-HX00	自攻螺钉头M4.2X13	Tapping Screw M4.2X13,T-Shaped Head	10		

F-16上挡泥板、前灯壳装饰条 UPPER FENDER 、HEADLAMP HOUSING DECORATIVE STRIP



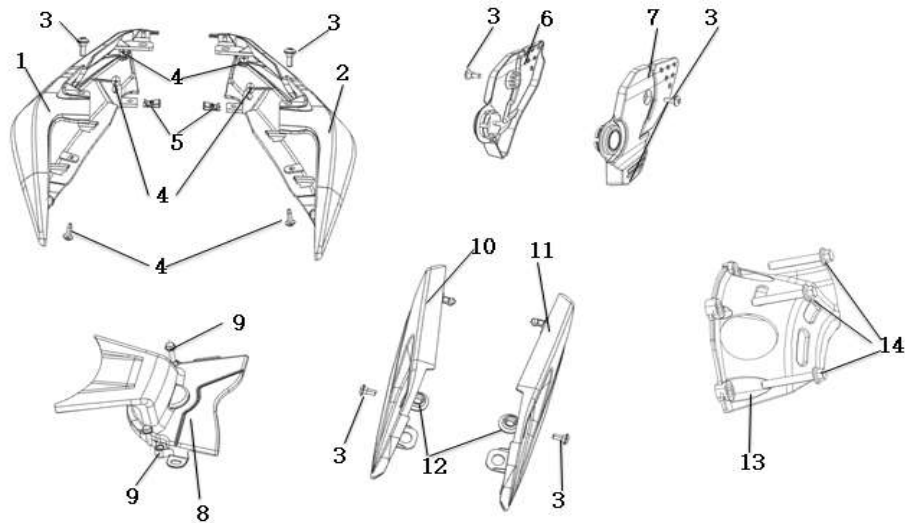
序号	品号	品名/规格		数量	备注	订购数量
S/N.	Part NO.	Name/Specifications		Qty of Per Unit	Remarks	Order Qty
1	390036-R100-000	灯壳装饰条-左	Decorating Strip(Left),Headlight Case	1		
2	390037-R100-000	灯壳装饰条-右	Decorating Strip(Right),Headlight Case	1		
3	5009-05070-LB00	螺丝夹板M5	Clip M5,Screw	10		
4	5004-05013-BS00	内六角台阶螺钉M5X13	Tapping Screw M5X13 Inner Hex.	8		
5	390034-R100-L00	前上挡泥板 蓝色	Upper Fender(Front) (Blue)	1		
5	390034-R100-R00	前上挡泥板 红色	Upper Fender(Front) (Red)	1		
5	390034-R100-B00	前上挡泥板 黑色	Upper Fender(Front) (Black)	1		
6	5009-06080-LB00	螺丝夹板M6	Clip M6(Screw)	1		
7	390001-R100-000	前上挡泥装饰件	Decorating Plate,Upper Fender(Front)	1		
8	5004-05016-BS00	内六角台阶螺钉M5X16	Tapping Screw M5X16,Inner Hex.	2		

F-17油箱侧护板、油箱中护板 FUEL TANK SIDE COVER、FUEL TANK MID- COVER



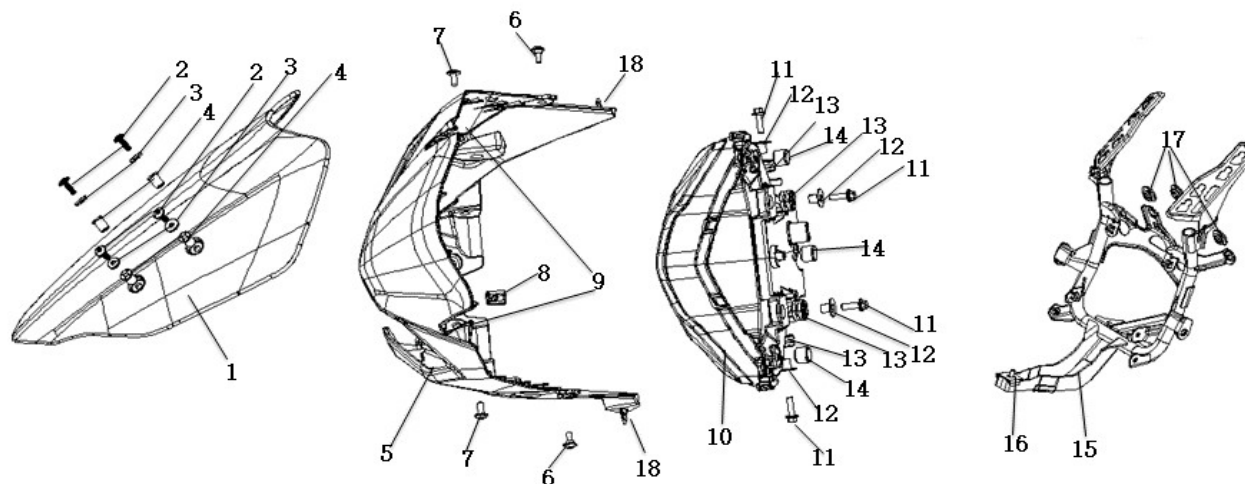
序号	品号	品名/规格		数量	备注	订购数量
S/N.	Part NO.	Name/Specifications		Qty of Per Unit	Remarks	Order Qty
1	390024-R100-H01	油箱侧护板-左 灰色	Side Protecting Plate(Left),Fuel Tank (Gray)	1		
1	390024-R100-W01	油箱侧护板-左 白色	Side Protecting Plate(Left),Fuel Tank (White)	1		
2	390025-R100-H01	油箱侧护板-右 灰色	Side Protecting Plate(Right),Fuel Tank (Gray)	1		
2	390025-R100-W01	油箱侧护板-右 白色	Side Protecting Plate(Right),Fuel Tank (White)	1		
3	5009-05070-LB00	螺丝夹板M5	Clip M5,Screw	14		
4	5005-05016-BS00	十字大盘头螺钉M5X12	Screw M5X12, Cross-Shaped,Big Cup Head	6		
5	390035-R100-L00	油箱中护板 蓝色	Middle Protecting Plate,Fuel Tank (Blue)	1		
5	390035-R100-B00	油箱中护板 黑色	Middle Protecting Plate,Fuel Tank (Black)	1		
5	390035-R100-R00	油箱中护板 红色	Middle Protecting Plate,Fuel Tank (Red)	1		
6	5004-05013-BS00	内六角台阶螺钉M5X13	Stepping Screw M5X13,Inner Hex.	4		
7	420007-R100-001	腰形蘑菇头胶圈	Rubber Ring,Waist-Shaped Mushroom Head	2		
8	5004-06020-BS00	六角法兰面螺栓M6X20	Bolt M6X20,Hex. Flange	2		
9	5013-06008-LB00	翻边衬套 φ6Xφ18X8	Bushing,Flange φ6Xφ18X8	2		
10	420008-R100-000	工字胶圈	Rubber Ring, I shaped	2		
11	421000-R100-000	膨胀胶钉	Rubber Nail, Expansion	2		

F-18车身覆盖件 BODY COVER



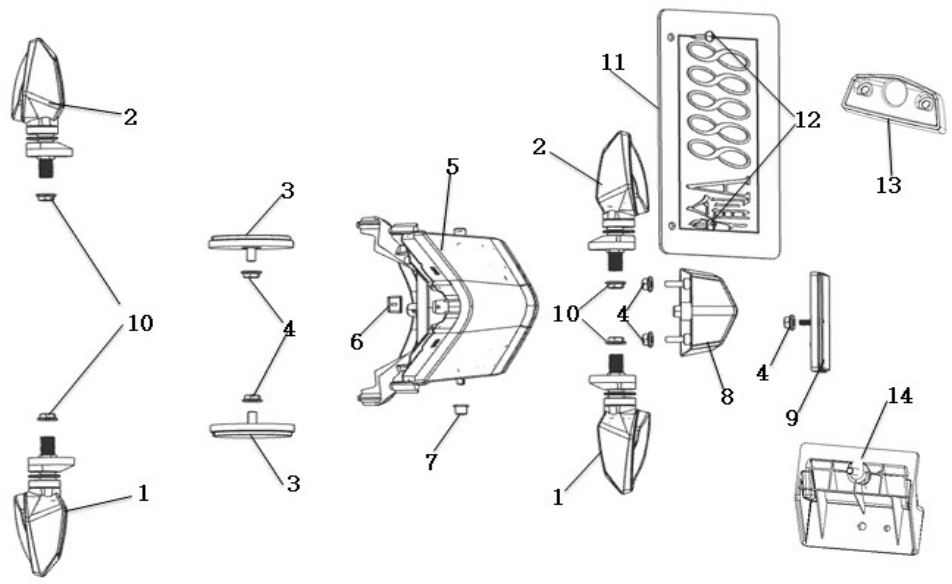
序号	品号	品名/规格		数量	备注	订购数量
S/N.	Part NO.	Name/Specifications		Qty of Per Unit	Remarks	Order Qty
1	390027-R100-L04	车体-右 蓝色	Tail Cover(Left) (Blue)	1		
1	390027-R100-R04	车体-右 红色	Tail Cover(Left) (Red)	1		
1	390027-R100-B04	车体-右 黑色	Tail Cover(Left) (Black)	1		
1	390027-R100-W04	车体-右 白色	Tail Cover(Left) (White)	1		
2	390026-R100-L04	车体-左 蓝色	Tail Cover(Right) (Blue)	1		
2	390026-R100-R04	车体-左 红色	Tail Cover(Right) (Red)	1		
2	390026-R100-B04	车体-左 黑色	Tail Cover(Right) (Black)	1		
2	390026-R100-W04	车体-左 白色	Tail Cover(Right) (White)	1		
3	5004-06012-BS01	内六角台阶螺钉M6X12	Stepping Screw M6X20,Inner Hex.	6		
4	5006-04012-LB00	自攻螺钉T头4.8X12	Tapping Screw M4.8X12, T Head	6		
5	5009-05070-LB00	螺丝夹板M5	Clip M5,Screw	2		
6	390006-R100-000	平叉轴装饰件-右	Decorating Plate(Left),Rear Arm Axle	1		
7	390005-R100-000	平叉轴装饰件-左	Decorating Plate(Right),Rear Arm Axle	1		
8	390023-R100-B00	发动机小链轮盖	Cover, Engine Sprocket	1		
9	5001-06025-LB00	六角法兰面螺栓M6X25	Bolt M6X25,Hex.Flange	2		
10	390033-R100-000	侧盖-右	Side Cover(Left)	1		
11	390032-R100-000	侧盖-左	Side Cover(Right)	1		
12	420007-R100-001	腰形蘑菇头胶圈	Rubber Ring,Waist-Shaped Mushroom Head	2		
13	390018-R100-B00	发动机防烫罩	Cover, Engine Anti-Burning	1		
14	5001-06040-LB00	六角法兰面螺栓M6X40	Bolt M6X40,Hex.Flange	3		

F-19前照灯 HEADLAMP



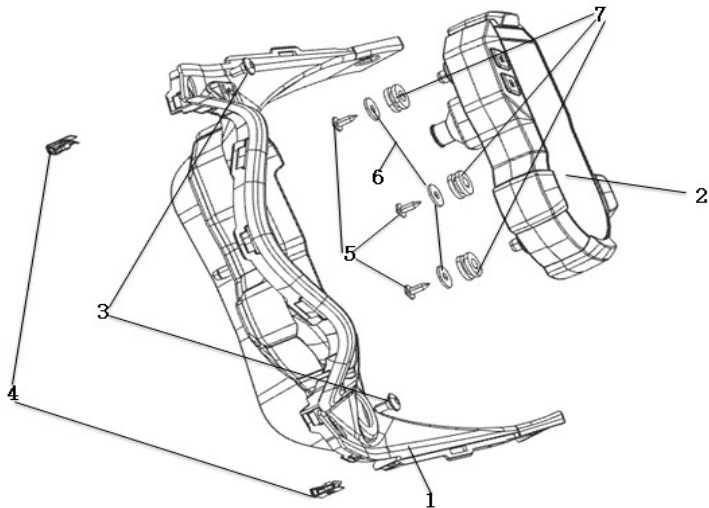
序号	品号	品名/规格		数量	备注	订购数量
S/N.	Part NO.	Name/Specifications		Qty of Per Unit	Remarks	Order Qty
1	390028-R100-000	前挡风	Wind Shied(Front)	1		
2	5005-05016-BS00	十字大盘头螺钉M5X16	Screw M5X16, Cross-Shaped,Big Cup Head	4		
3	420025-R100-000	尼龙垫	Pad, Nylon	4		
4	420024-R100-000	橡胶螺母 M5		4		
5	390012-R100-B00	前大灯壳	Cover,Headlight	1		
6	5004-06012-BS00	内六角台阶螺钉M6X12	Stepped Screw M6X12,Inner Hex.	2		
7	5006-04013-HX00	自攻螺钉T头4.2X13	Tapping Screw M4.2X13,T-Shaped Head	2		
8	5009-05070-LB00	螺丝夹板M5	Clip M5,Screw	1		
9	5006-04012-LB00	自攻螺钉T头4.8X12	Tapping Screw M4.8X12, T Head	2		
10	390012-R100-B00	前大灯	Headlight	1	欧标号: E4 50R-0027170	
11	5001-06022-LB00	外六角法兰盘螺栓M6X22.5	Bolt M6x22.5,Outer Hex.Flange	4		
12	5013-06012-LB00	翻边衬套 φ6Xφ20X12	Bushing,Flange φ6Xφ20X14	4		
13	420016-R100-000	米字工字胶圈	Rubber Ring, Headlight	4		
14	420007-R100-001	腰形蘑菇头胶圈	Rubber Ring,Waist-Shaped Mushroom Head	3		
15	360014-R100-000	大灯支架	Bracket, Headlight	1		
16	5001-06012-LB00	六角法兰面螺栓M6X12	Screw M6X12, Hex.Flange	1		
17	420007-R100-001	腰形蘑菇头胶圈		3		
18	421000-R100-000	膨胀胶钉	Rubber Nail, Expansion	2		

F-20尾灯、转向灯 TAILLIGHT、CORMERING LAMP



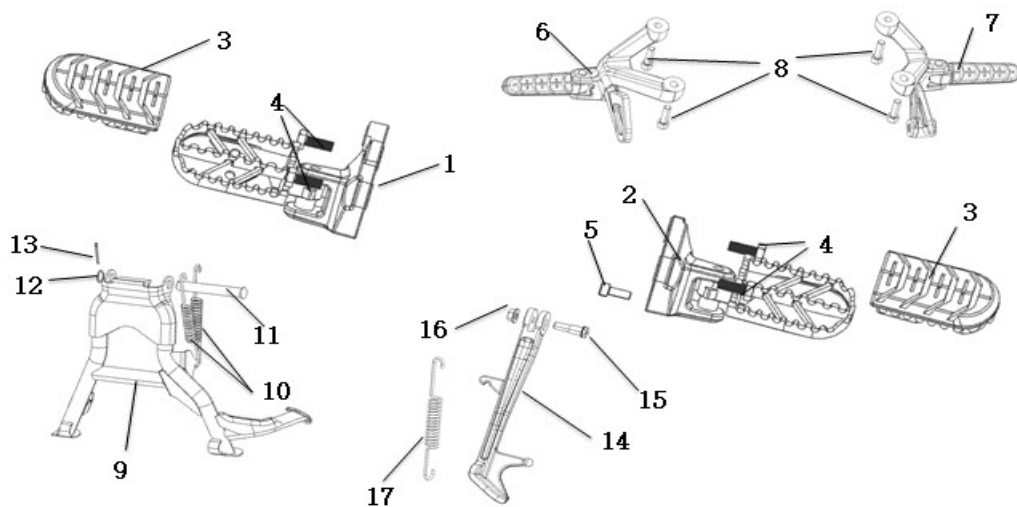
序号	品号	品名/规格		数量	备注	订购数量
S/N.	Part NO.	Name/Specifications		Qty of Per Unit	Remarks	Order Qty
1	340400-R100-000	转向灯-左	Flasjer(Left)	2	欧标号: E4 50R-002560	
2	340500-R100-000	转向灯-右	Flasjer(Right)	2	欧标号: E4 50R-002560	
3	340600-R100-000	侧反射器	Side Reflector	2		
	340600-R100-001	侧反射器	Side Reflector	2	欧标号: E13 02 1774	
4	5008-05050-LB00	六角法兰面螺母M5	Nut M20,Hex.	5		
5	340200-R100-000	尾灯总成	Tail Light	1	欧标号: E4 50R-0027122	
6	420014-R100-000	尾灯方形胶套	Rubber Cushion, Tail Light Square	1		
7	420015-R100-000	尾灯圆形胶帽	Rubber Cap,Tail Light Round	1		
8	340300-R100-000	牌照灯总成	License Light Assy	1	欧标号: E9 50R-006620	
9	340700-R100-000	后反射器	Rear Reflector	1		
	340700-R100-001	后反射器	Rear Reflector	1	欧标号: E13 02 1775	
10	5008-06060-LB00	六角法兰面螺母M6	Bolt M6,Hex.Flange	4		
11	400001-R100-000	广告牌	Plate, COLOVE Brand	1		
12	5006-04012-LB00	自攻螺钉头4.8X12	Tapping Screw M4.8X12, T Head	2		
13	390051-R100-000	后反射器支架	Rear Reflector,Bracket	1	Euro	
14	390050-R100-000	后牌照灯支架	Rear License Light,Bracket	1	Euro	

F-21仪表 METER



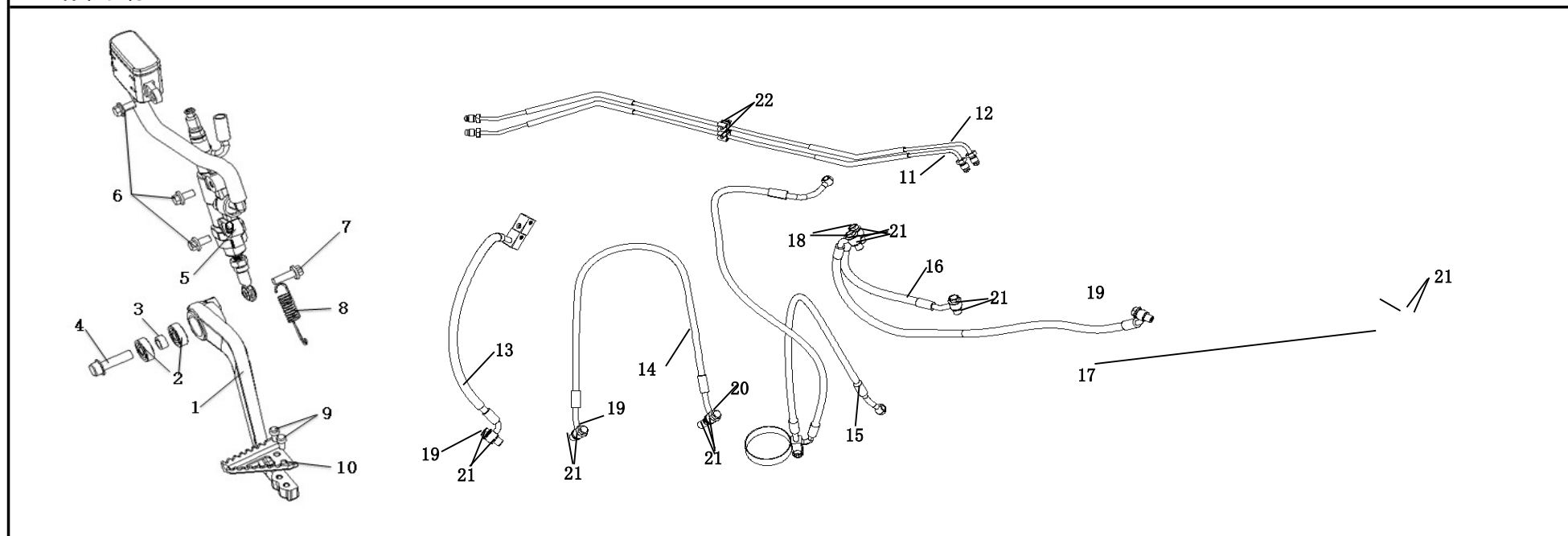
序号	品号	品名/规格		数量	备注	订购数量
S/N.	Part NO.	Name/Specifications		Qty of Per Unit	Remarks	Order Qty
1	390013-R100-000	仪表壳	Case,Speedometer	1		
2	330800-R100-000	仪表总成	Speedometer Assy	1		
3	5004-06012-BS01	内六角台阶螺钉M6X12	Stepping Screw M6X12,Inner Hex.	2		
4	5009-05070-LB00	螺丝夹板M5	Clip M5,Screw	2		
5	5006-04013-HX00	自攻螺钉头4.2X13	Tapping Screw M4.2X13,T-Shaped Head	3		
6	5018-05515-LB00	平垫φ5.5Xφ16X1.5	Washer φ5.5Xφ16X1.5,Flat	3		
7	420008-R100-000	工字胶圈	Rubber Ring, I shaped	3		

F-22前/后脚蹬、侧支架、主支架 FRONT&REAR FOOTREST、SIDE STAND、MAIN STAND



序号	品号	品名/规格		数量	备注	订购数量
S/N.	Part NO.	Name/Specifications		Qty of Per Unit	Remarks	Order Qty
1	370005-R100-000	前脚踏支架-左	Bracket(Left),Front Footrest	1		
2	370006-R100-000	前脚踏支架-右	Bracket(Right),Front Footrest	1		
3	370800-R100-000	前脚踏胶	Rubber,Front Footrest	2		
4	5001-08030-LB00	六角法兰面螺栓M8X30	Bolt M8X30,Hex.Flange	4		
5	5003-06025-LB00	内六角圆柱头螺钉M6X16	Screw M6X16, Inner Hex. Column Head	1		
6	370900-R100-000	后脚踏总成-左	Rear Footrest(Left)	1		
7	371000-R100-000	后脚踏总成-右	Rear Footrest(Right)	1		
8	5003-08035-BS00	内六角圆柱头螺钉M8X35	Screw M8X30,Inner Hex.Countersunk Head	4		
9	360013-R100-000	主支架	Main Stand	1		
10	360400-R100-000	主支架簧	Spring, Main Stand	2		
11	410004-R100-000	主支架轴	Axle,Main Stand	1		
12	5018-18015-LB00	平垫圈φ18Xφ23X1.5	Washer φ18Xφ23X1.5 Flat,	1		
13	5015-03030-LB00	开口销φ3X30	Pin φ3X30, Split	1		
14	370013-R100-000	侧支架	Side Stand	1		
15	5007-10043-LB00	侧支架专用螺栓M10X43.8	Bolt,M10X43.8,Side Stand	1		
16	5008-10000-LB01	六角螺母M10X1.5*17	Nut M10X1.5*17, Hex.	1		
17	360020-R100-000	侧支架簧	Spring,Side Stand	1		

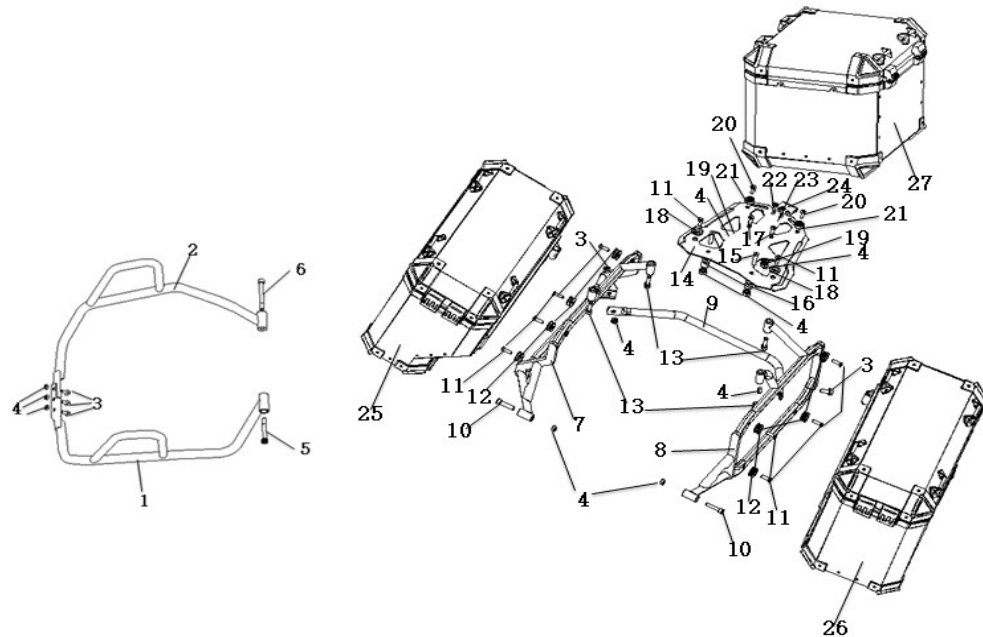
F-23制动系统 BRAKE ASSEMBLY



序号	品号	品名/规格		数量	备注	订购数量
S/N.	Part NO.	Name/Specifications		Qty of Per Unit	Remarks	Order Qty
1	370010-R100-000	刹车摇臂	Rocker Arm,Brake	1		

2	5101-082207-BS0	轴承	Bearing	2		
3	910004-R100-002	衬套 φ8*φ12*6	Collar φ8*φ12*6	1		
4	5001-08035-LB00	六角法兰面螺栓M8X35	Bolt M8X35,Hex.Flange	1		
5	350600-R101-000	后制动泵总成	Pump,Rear Brake	1		标配
	350600-R100-000	后制动泵总成	Pump,Rear Brake	1		NISSIN
6	5001-06012-LB00	六角法兰面螺栓M6X12	Bolt M6X12,Hex.Flange	3		
7	5001-06020-LB00	六角法兰面螺栓M6X20	Bolt M6X20,Hex.Flange	1		
8	360021-R100-000	刹车复位簧	Reset Spring,Brake	1		
9	5003-05010-BS00	内六角圆柱头螺钉M5X10	Screw, Inner Hex.Column Flange	2		
10	350009-R100-000	后制动踏板	Pedal,Rear Brake	1		
11	351400-R100-000	ABS金属油管(进)	ABS Metal Tubing(In)	1		
12	351400-R100-001	ABS金属油管(出)	ABS Metal Tubing(Out)	1		
13	350800-R100-000	制动油管1	Brake Tubing(1),front brake	1		
14	350900-R100-000	制动油管2	Brake Tubing(2),front brake	1		
15	351000-R100-000	制动油管3	Brake Tubing(3),front brake	1		
16	351100-R100-000	制动油管4	Brake Tubing(4),rear brake	1		
17	351200-R100-000	制动油管5	Brake Tubing(5),rear brake	1		
18	350001-R100-000	过油螺栓M10X1.0X22	Oil Bolt(M10X1.0X22)	2		Single hole单孔
19	350001-R100-001	过油螺栓M10X1.25X22	Oil Bolt(M10X1.25X22)	3		Single hole单孔
20	350001-R100-002	过油螺栓M10X1.25X32	Oil Bolt(M10X1.25X32)	1		Double hole双孔
21	350002-R100-000	铜垫圈	Copper Washer	15		
22	350006-R100-000	单管卡	Clip,Single Tube	2		

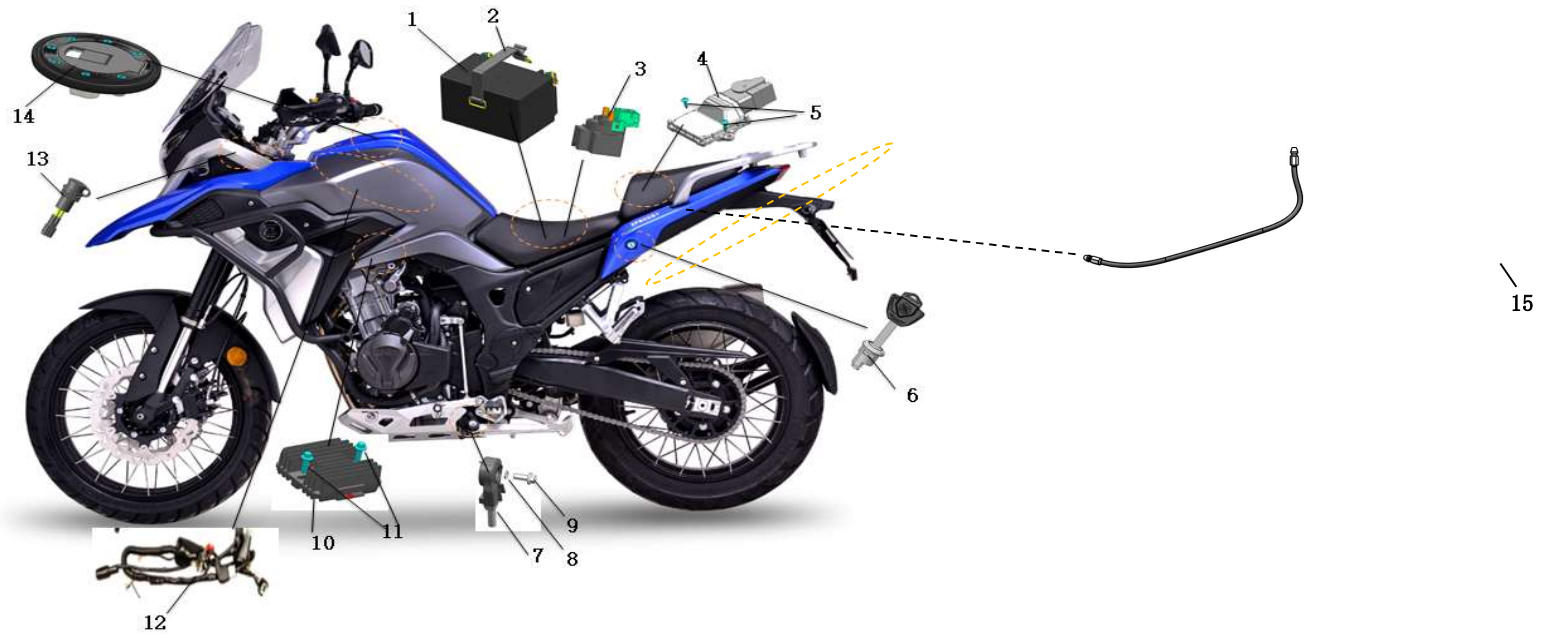
F-24边箱 SIDE BOX



序号	品号	品名/规格		数量	备注	订购数量
S/N.	Part NO.	Name/Specifications		Qty of Per Unit	Remarks	Order Qty
1	360011-R100-000	保险杠-左	Bumper(Left)	1		

2	360012-R100-000	保险杠-右	Bumper(Right)	1	
3	5001-08020-LB00	六角法兰盘螺栓M8X20	Bolt M8X20,Hex.Flange	5	
4	5008-08085-LB00	六角法兰面自锁螺母M8	Tapping Nut M8,Hex.Flange	11	
5	5003-10060-HX00	内六角圆柱头螺钉M10X60	Screw M10X60, Inner Hex.Column Flange	1	
6	5003-10080-HX00	内六角圆柱头螺钉M10X80	Screw M10X80, Inner Hex.Column Flange	1	
7	360004-R100-000	边箱支架-左	Bracket(Left),Side Box	1	
8	360005-R100-000	边箱支架-右	Bracket(Right),Side Box	1	
9	360001-R100-000	边箱支架连接护杠	Rear Connector,Side Box Bracket	1	
10	5003-08035-LB00	内六角圆柱头螺钉M8X35	Screw M8X35, Inner Hex.Column Head	2	
11	5014-06025-BS00	内六角沉头螺钉M6X25	Screw M6X25,Inner Hex.Countersunk Head	10	
12	390009-R100-000	三箱葫芦	Hanger,Box	8	
13	5014-08030-BS00	内六角沉头螺钉M8X30	Screw M8X30, Inner Hex.Column Head	4	
14	390040-R100-000	尾箱支架	Bracket,Rear Box	1	
15	5014-08045-BS00	内六角沉头螺钉M8X45	Screw M8X45,Inner Hex.Countersunk Head	2	
16	910004-R100-003	衬套φ8*φ16*14.5	Collar φ8*φ16*14.5	2	
17	5014-08030-BS00	内六角沉头螺钉M8X30	Screw M8X30,Inner Hex.Countersunk Head	2	
18	390009-R100-001	三箱葫芦	Hanger,Box	2	
19	5018-08020-LB00	平垫φ8	Washer φ8,Flat	2	
20	5004-06016-BS00	内六角大盘头螺钉M6X16	Screw,Inner Hex. Big Flat Head M6X16	2	
21	390011-R100-000	尾箱胶圈	Rubber Ring, Rear Box	2	
22	5005-06012-BS00	十字大盘头螺钉M6X12	Screw,Cross Shaped Big Flat Head M6X12	2	
23	5008-06060-LB00	六角法兰面自锁螺母M6	Nut M6,Hex. Flange Self-Lock	2	
24	390010-R100-000	尾箱扣片	Buckle,Rear Box	1	
25	390100-R100-A00	边箱总成-左 银色	Side Box(Left)	1	
26	390100-R100-B00	边箱总成-左 黑色	Side Box(Left)	1	
27	390200-R100-A00	边箱总成-右 银色	Side Box(Right)	1	
28	390200-R100-B00	边箱总成-右 黑色	Side Box(Right)	1	
29	390300-R100-A00	尾箱总成 银色	Tail Box	1	
30	390300-R100-B00	尾箱总成 黑色	Tail Box	1	

F-25电器1 ELECTRIC PARTS 1



序号	品号	品名/规格		数量	备注	订购数量
S/N.	Part NO.	Name/Specifications		Qty of Per Unit	Remarks	Order Qty
1	331400-R100-000	电瓶	Battery	1		
2	420900-R100-000	电瓶绑带	Band, Battery	1		
3	330100-R100-000	启动继电器	Starter Relay Assy.	1		
4	310200-R100-000	ECU	ECU	1	博世BOSCH	
5	5001-06016-HX00	六角自攻螺钉M6X16	Tapping Screw M6X16, Hex.	2		
6	331800-R100-000	坐垫锁	Lock,Seat	1	Price of full lock set	
7	370500-R100-000	侧支架熄火开关	Engine Cutoff Switch,Side Stand	1		
8	5018-06015-LB00	平垫φ6Xφ18X1.5	Washer,Flat φ6Xφ18X1.5	1		
9	5001-06020-LB00	六角法兰面螺栓M6X20	Bolt M6X20,Hex.Flange	1		
10	330200-R100-000	调压整流器	Rectifier & Regulator Assy	1		
11	5001-06030-LB00	六角法兰面螺栓M6X20	Bolt M6X20,Hex.Flange	2		
12	331700-R100-000	主电缆	Wire Harness Assy	1		
13	331200-R100-000	点烟器	Cigar Lighter	1		
14	331800-R100-000	油箱锁	Lock,Fuel Tank	1	N/A, as Lock set	
15	380600-R100-000	坐垫锁拉索	Cushion Lock Cable	1		

F-26电器2 ELECTRIC PARTS 2



序号	品号	品名/规格		数量	备注	订购数量
S/N.	Part NO.	Name/Specifications		Qty of Per Unit	Remarks	Order Qty
1	332000-R100-000	侧倾传感器	Sensor,Toppling	1		
2	330700-R100-000	闪光器	Flasher	1		
3	331300-R100-000	USB充电器	USB Charger	1		
4	330600-R100-000	喇叭	Horn	1		
	330600-R100-001	喇叭	Horn	1	欧标号: E4 000734	
5	5001-06012-LB00	六角法兰面螺栓M6X12	Bolt M6X12,Hex. Flange	2		
6	331600-R100-000	继电器	Relay Assy	1		
7	351500-R100-000	前轮速度传感器	Sensor,Front Wheel Speed	1		
8	310900-R100-000	氧传感器	Sensor,Oxygen	2		
9	330400-R100-000	点火线圈-右	Ignition(Right)	1		
10	330300-R100-000	点火线圈-左	Ignition(Left)	1		
11	5005-05020-LB00	十字大盘头螺钉M5X20	Screw M5X20, Cross-Shaped,Big Flat Head	4		
12	5008-05050-LB00	六角法兰螺母M5	Nut M5,Hex.Flange	4		
13	351600-R100-000	后轮速度传感器	Sensor,Rear Wheel Speed	1		
14	351300-R100-000	ABS总成	ABS Assy	1		