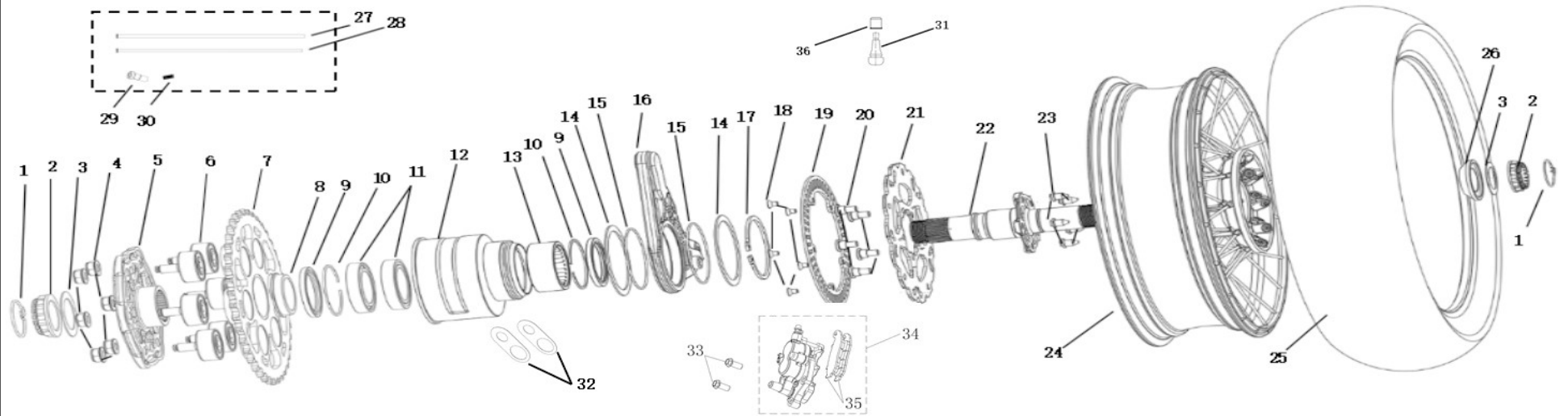


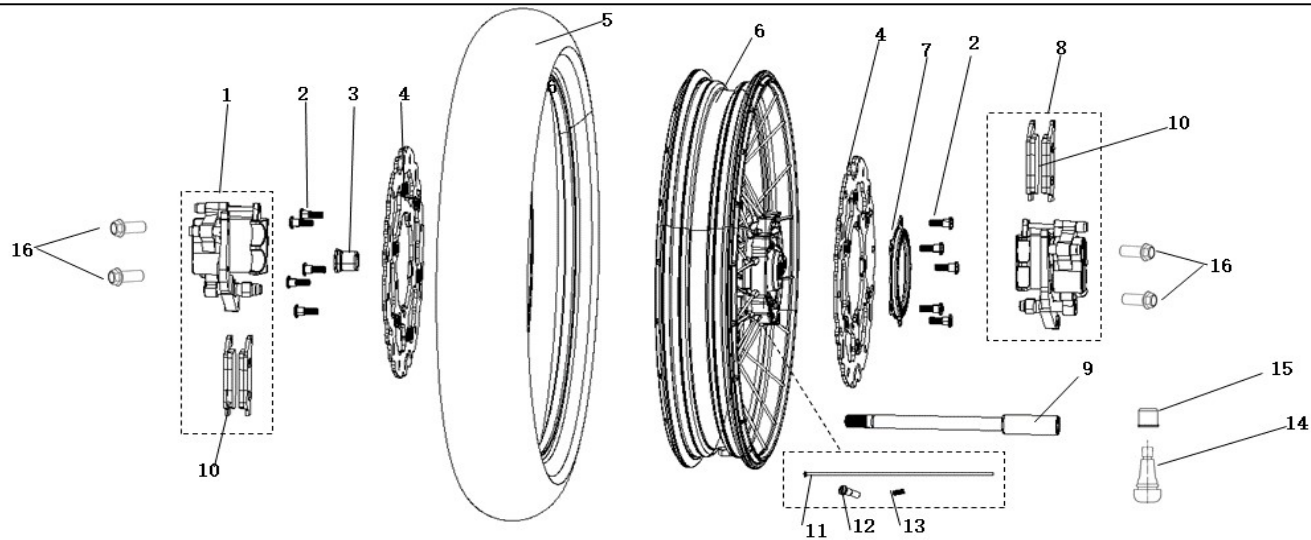
F-1 后轮总成 REAR WHEEL ASSY



序号	品号	品名/规格		数量	备注	订购数量
S/N.	Part NO.	Name/Specifications		Qty of Per Unit	Remarks	Order Qty
1	5011-00200-LB00	钢丝卡	Steel Clip	2		
2	5010-38150-YH00	后轮轴螺母M38*1.5*15*45	Nut,Wheel Axle(Rear)	2		
3	5018-39010-LB00	平垫 $\phi 39 \times \phi 56 \times 1$	Washer,Flat	2		
4	5008-10115-LB00	六角法兰面自锁螺母M10*1.25*11.5*17	Tapping Nut,Hex.Flange	6		
5	350018-R201-000	缓冲体支架	Buffer Bracket	1		
6	350022-R201-000	后链轮缓冲胶	Rear Chain Wheel Buffer	6		
7,1	351902-R201-000	大链轮 (NEO SCRAMBLER Version/CITY V)	Sprocket Wheel	1		10
7,2	351902-R102-00000	大链轮 (WILD Version)	Sprocket Wheel	1		
8	910002-R201-000	后轮衬套-左	Bushing,Rear Wheel(Left)	1		
9	5103-506205-000	油封 $\phi 50 \times \phi 62$	Oil Seal	2		
10	5020-62015-HX00	弹性挡圈	Elastic Collar	2		
11	5101-406212-BS0	轴承	Bearing	2		
12	370021-R201-000	偏心轮	Eccentric Wheel	1		
13	5102-506225-BS0	滚针轴承	Needle Bearing	1		
14	5020-76015-BS00	挡圈	Ring	2		
15	420035-R201-001	O型胶圈	Ring, Rubber O-Shaped	2		
16	350019-R201-000	后卡钳支架	Rear Caliper,Bracket	1		
17	5020-75025-HX00	弹性挡圈	Elastic Collar	1		
18	5014-05008-BS00	内六角沉头螺钉	Screw,Inner Hex,Countersunk Head	5		
19,1	350024-R201-000	ABS齿圈-后 (NEO SCRAMBLER Version/C)	ABS Gear Ring(Rear)	1		
19,2	350024-R202-000	ABS齿圈-后 (WILD Version)	ABS Gear Ring(Rear)	1		
20	5004-07010-LB00	内六角台阶螺钉	Stepping Screw,Inner Hex.	5		
21	351800-R201-001	后碟刹盘	Brake Disc(Rear)	1		10

22	410003-R201-001	后轮轴	Axle,Wheel(Rear)	1		
23	370022-R201-000	拔销	Pull Pin	5		
24,1	352100-R201-000	后网轮总成 (NEO SCRAMBLER Version/W	Spoke wheel assy,rear	1		5
24,2	352500-R203-000	后铝轮总成 (CITY Version)	Rear Aluminium Wheel Assy	1	希腊	
25,1	350017-R201-000	后轮胎160/60 R17 (NEO SCRAMBLER Ver	Tire(Rear)	1		
25,2	350017-R202-000	后轮胎150/70 R17 69V (WILD Version)	Tire(Rear)	1	目前出口无此状态, 后期可增加	
26	910003-R201-000	后轮衬套-右	Bushing,Rear Wheel(Right)	1		
27	352101-R201-000	后轮辐条17.5cm (NEO SCRAMBLER Versi	The rear wheel spokes	20		
28	352101-R201-001	后轮辐条17.9cm (NEO SCRAMBLER Versi	The rear wheel spokes	20		
29	352103-R201-000	后轮条帽M4.5*0.75 (NEO SCRAMBLER Ve	Article rear cap	40		
30	352104-R201-000	后轮止附螺栓M4.5X0.75 (NEO SCRAMBLER Version/WILD Version)	Rear wheel retaining bolt	40		
31	350013-R100-000	气门嘴	Valve	1		
32	350021-R201-000	后轮速传感器垫片	Sensor,Rear Wheel Speed Washer	2		
33	5001-08020-LB00	六角法兰面螺栓	Bolt,Hex.Flange	2		
34	350500-R201-000	后制动卡钳总成 (NEO SCRAMBLER Versi	Caliper Assy(Rear)	1		
35	350501-R201-000	后刹车片	#NENÍ_K_DISPOZICI	2		20
36	350014-R100-000	气门嘴盖	Valve Cover	1		

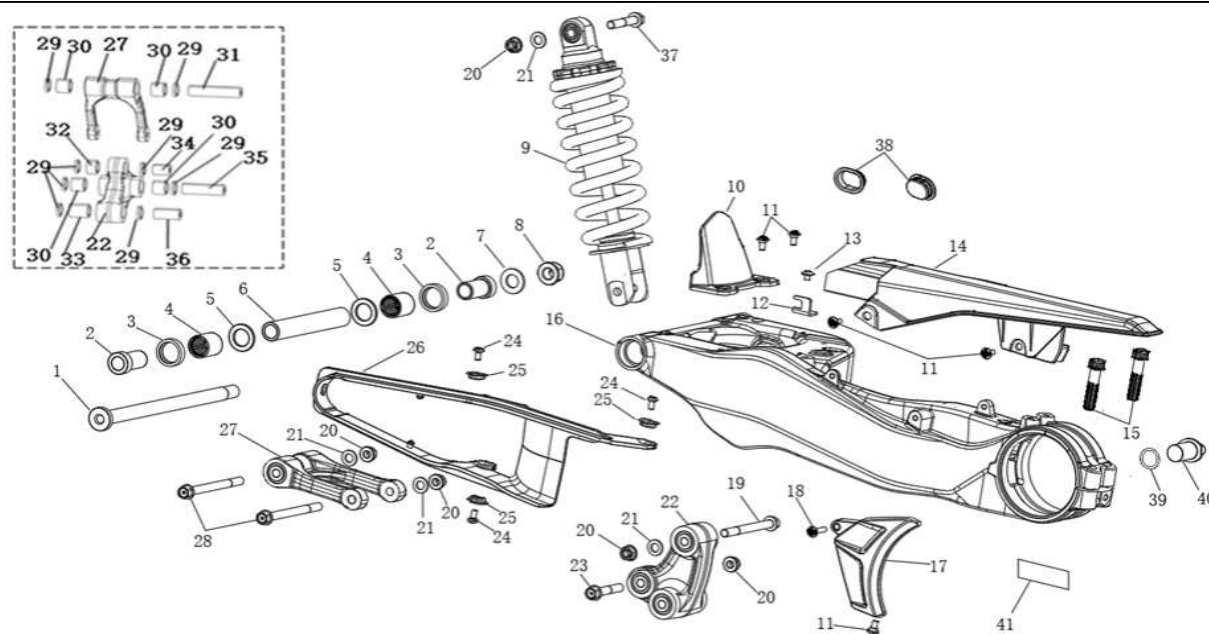
F-2 前轮总成 FRONT WHEEL ASSY



序号	品号	品名/规格	数量	备注	订购数量
S/N.	Part NO.	Name/Specifications	Qty of Per Unit	Remarks	Order Qty
1	350300-R100-000	前制动卡钳总成-左 (NEO SCRAMBLER V	Caliper Assy(Front,Left)	1	
2	5004-08024-LB00	内六角台阶螺钉M8X24	Stepping Screw,Inner Hex.	10	
3	910001-R100-000	前轮衬套-左	Bushing,Front Wheel(Left)	1	
4	351700-R100-000	前碟刹盘 (NEO SCRAMBLER Version/WIL	Brake Disc(Front)	2	10
5,1	350016-R201-000	前轮胎110/80 R18 (NEO SCRAMBLER Ver	Tire(Front)	1	

5,2	350016-R202-000	前轮胎110/80 R19 59H M/C(WILD Version)	Tire(Front)	1	目前出口无此状态, 后期可增加	
6,1	352000-R201-000	前网轮总成 (NEO SCRAMBLER Version)	Spoke wheel assy, front	1		5
6,2	352000-R202-000	前网轮总成(WILD Version)	Spoke wheel assy, front	1	目前出口无此状态, 后期可增加	
6,3	352400-R203-000	前铝轮总成(CITY Version)	Front aluminum wheel assembly	1	希腊	
7,1	350023-R201-000	ABS齿圈-前 (NEO SCRAMBLER Version/CITY Version)	ABS Gear Ring(Front)	1		
7,2	350015-R100-000	ABS齿圈-前 (WILD Version)	Gear Ring(ABS)	1	目前出口无此状态, 后期可增加	
8	350400-R100-000	前制动卡钳总成-右 (NEO SCRAMBLER Version/CITY Version)	Bushing,Front Wheel(Right)	1		
9	410001-R100-000	前轮轴φ17*254	Axle,Wheel(Front)	1		
10	350301-R100-000	前刹车片 (NEO SCRAMBLER Version/WILD Version)	Before the brake pads	4		10
11,1	352001-R201-000	前轮辐条20.6cm (NEO SCRAMBLER Version/CITY Version)	The front wheel spokes	40		
11,2	352001-R100-000	前轮辐条22cm (WILD Version)	The front wheel spokes	40		
12	352003-R201-000	前轮条帽M4*0.7 (NEO SCRAMBLER Version/CITY Version)	Article front wheel cap	40		
13	352004-R201-000	前轮正附螺栓M4.0X0.7 (NEO SCRAMBLER Version/WILD Version)	Front wheel retaining bolt	40		
14	350013-R100-000	气门嘴	Valve	1		
15	350014-R100-000	气门嘴盖	Valve Cover	1		

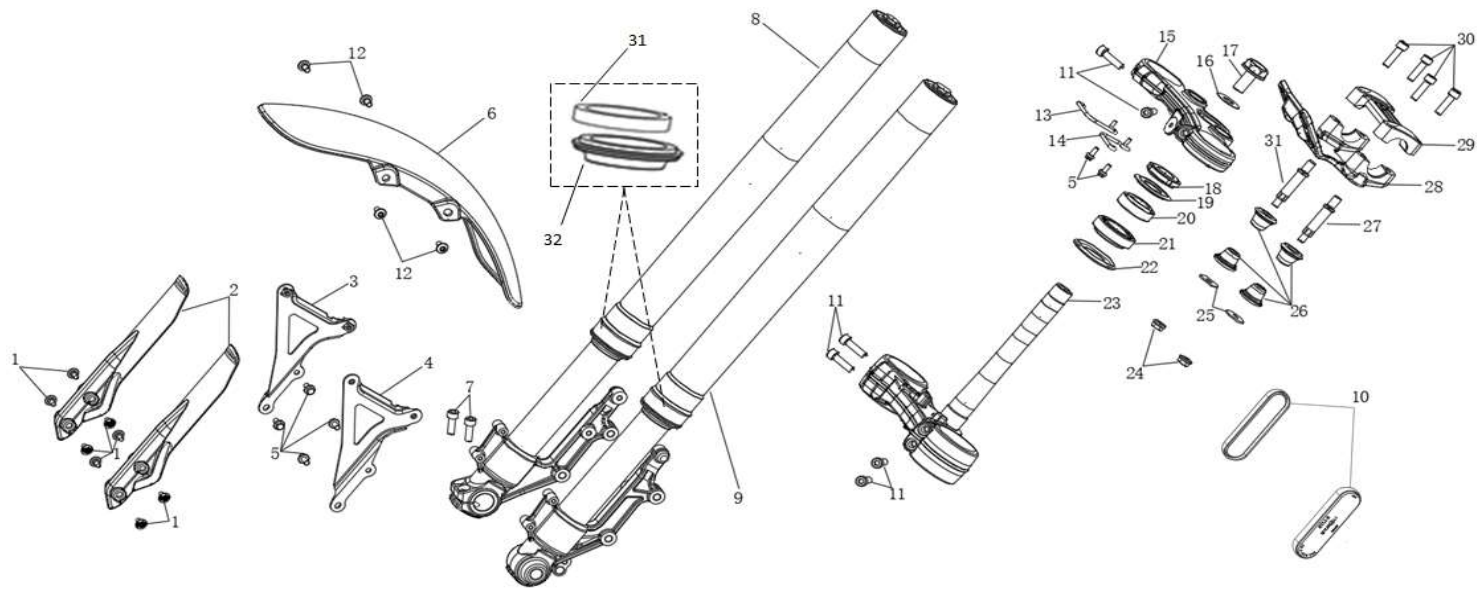
F-3后悬挂 REAR SUSPENSION



序号	品号	品名/规格		数量	备注	订购数量
S/N.	Part NO.	Name/Specifications		Qty of Per Unit	Remarks	Order Qty
1	410002-R100-000	平叉轴φ17*275	Axle,Rear Arm	1		
2	910006-R100-000	平叉轴承衬套 φ 17* φ 22*45	Bushing,Rear Arm Bearing	2		
3	5103-283507-000	油封φ28*φ35*7	Oil Seal	2		
4	5102-222930-BS0	滚针轴承φ22*φ29*30	Needle Bearing	2		
5	5018-22030-BS00	平垫φ22*φ32*3	Washer,Flat	2		

6	910005-R100-000	平叉衬管φ17.3*φ24*148	Sleeve,Rear Arm	1		
7	5018-17025-LB00	平垫φ17Xφ32X2.5	Washer,Flat	1		
8	5008-16145-LB00	六角法兰面自锁螺母M16	Tapping Nut,Hex.Flange	1		
9,1	371500-R201-000	后减震器 (NEO SCRAMBLER Version)	Shock Absorber(Rear)	1		
9,2	371500-R202-000	后减震器 (WILD Version)	Shock Absorber(Rear)	1	目前出口无此状态, 后期可增加	
10	390003-R100-000	后减护罩	Protecting Cap, Shock Absorber(Rear)	1		
11	5004-06012-BS01	内六角台阶螺钉M6X12	Stepping Screw,Inner Hex.	5		
12	350010-R100-000	链盒挂钩	Hanger,Chain Case	1		
13	5004-06012-BS00	内六角大盘头螺钉M6X12	Screw,Inner Hex.Flat Head	1		
14	390014-R201-000	链盒	Chain Case	1		5
15	5003-12055-LB00	内六角圆柱头螺钉M12*1.25*55	Screw,Inner Hex.Column Head	2		
16	360300-R201-000	平叉	Rear Arm	1		1
17	390052-R201-000	平叉装饰罩	Decorative Cover,Rear Arm	1		
18	5004-06025-BS00	内六角盘头螺钉M6X25	Screw,Inner Hex.Flat Head	1		
19	5001-10090-LB00	六角法兰面螺栓M10X1.25X90	Bolt,Hex.Flange	1		
20	5008-10115-LB00	六角法兰自锁螺母M10*1.25	Tapping Nut,Hex.Flange	5		
21	5018-10520-LB00	平垫φ10.5*φ20*2	Washer,Flat	4		
22	360007-R100-000	三角摇架	Triangle Rocker	1		
23	5001-10052-LB00	六角法兰面螺栓M10X1.25X52	Bolt,Hex.Flange	1		
24	5005-06012-LB00	十字半圆头螺钉M6X12	Screw, Cross-Shaped,Half Cup Head	3		
25	420018-R100-000	链条护卡压板	Pressplate,Chain Protecting Plate	3		
26	370017-R201-000	链条护卡	Protecting Plate, Chain	1		10
27	360008-R100-000	U型摇架	Rocker, U Shaped	1		
28	5001-10110-LB00	六角法兰螺钉M10X110	Bolt,Hex.Flange	2		
29	5103-202604-000	油封φ20*φ26*4	Oil Seal	8		
30	5102-202620-BS0	滚针轴承φ20*φ26*20	Needle Bearing	4		
31	910007-R100-000	轴承套φ10*φ20*82	Collar,Bearing	1		
32	5102-202616-BS0	滚针轴承φ20*φ26*16	Needle Bearing	1		
33	5102-202630-BS0	滚针轴承φ20*φ26*30	Needle Bearing	1		
34	910007-R100-002	轴承套 φ10*φ20*26	Collar,Bearing	1		
35	910007-R100-001	轴承套 φ10*φ20*65.5	Collar,Bearing	1		
36	910007-R100-003	轴承套 φ10*φ20*41	Collar,Bearing	1		
37	5001-10045-LB00	六角法兰面螺栓M10X1.25X45	Bolt,Hex.Flange	1		
38	420019-R201-000	平叉防尘盖	Rear Arm,Anti-dust	2		
39	420035-R201-000	O型胶圈	Ring, Rubber O-Shaped	1		
40	350020-R201-000	后卡钳限位销	Rear Caliper,Limited Pin	1		
41,1	900003-R202-000	链条警示标贴 (WILD Version)	Warning Label,Chain	1	目前出口无此状态, 后期可增加	
41,2	900003-R201-00001	链条警示标贴 (NEO SCRAMBLER Version)	Warning Label,Chain	1		

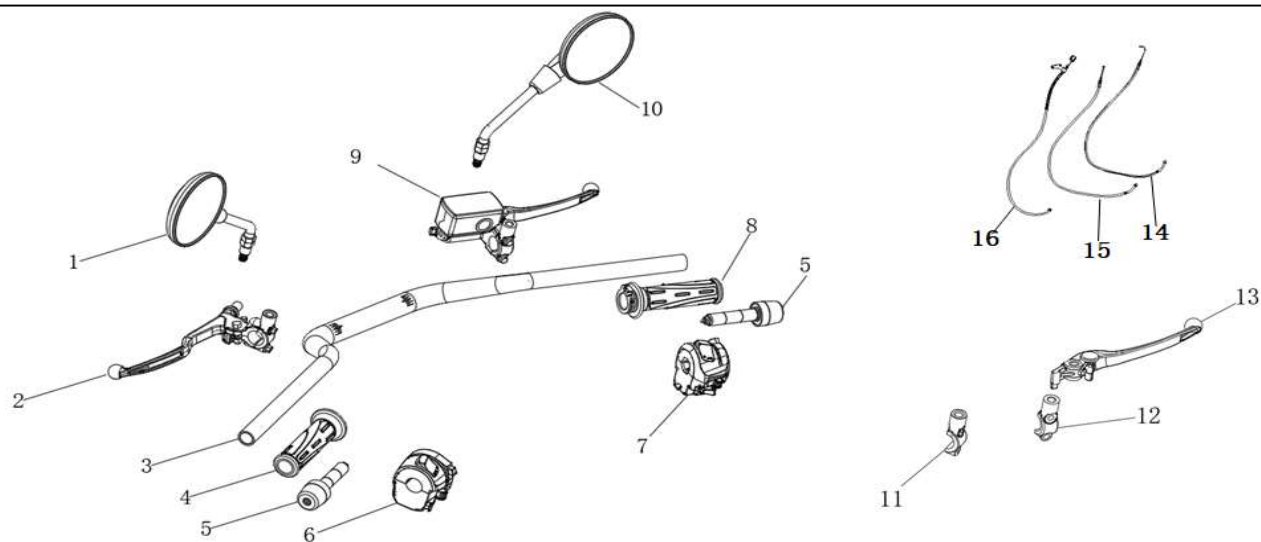
F-4前悬挂 FRONT SUSPENSION



序号	品号	品名/规格		数量	备注	订购数量
S/N.	Part NO.	Name/Specifications		Qty of Per Unit	Remarks	Order Qty
1	5004-05013-BS00	内六角台阶螺钉M5X13	Stepping Screw,Inner Hex.	8		
2	390055-R201-000	前减震器左装饰罩	Decorative Cover,Front Shock Absorber(Left)	2		5
3,1	360023-R201-000	前挡泥板支架-左 (NEO SCRAMBLER Vers	Bracket,Front Wheel Fender(Left)	1		5
3,2	360023-R202-000	前挡泥板支架-左 (WILD Version)	Bracket,Front Wheel Fender(Left)	1		
4,1	360024-R201-000	前挡泥板支架-右 (NEO SCRAMBLER Vers	Bracket,Front Wheel Fender(Right)	1		5
4,2	360024-R202-000	前挡泥板支架-右 (WILD Version)	Bracket,Front Wheel Fender(Right)	1		
5	5001-06012-LB00	六角法兰面螺栓M6X12	Bolt,Hex.Flange	4		
6,1	390015-R201-H10	前挡泥板 (矿石灰)	Front Fender	1		5
6,2	390015-R201-H00	前挡泥板 (匹兹堡灰)	Front Fender	1		
6,3	390015-R201-R00	前挡泥板 (宝石红)	Front Fender	1		
6,4	390015-R201-G00	前挡泥板 (墨绿)	Front Fender	1		
6,5	390015-R201-B00	前挡泥板 (珠光黑)	Front Fender	1		
7	5003-08025-LB00	内六角圆柱头螺钉	Screw,Inner Hex.Column Head	2		
8,1	371300-R201-000	前减震器-左 (NEO SCRAMBLER Version)	Front Shock Absorber(Left)	1		2
8,2	371300-R202-000	前减震器-左 (WILD Version)	Front Shock Absorber(Left)	1	目前出口无此状态, 后期可增加	
9,1	371400-R201-000	前减震器-右 (NEO SCRAMBLER Version)	Front Shock Absorber(Right)	1		2
9,2	371400-R202-000	前减震器-右 (WILD Version)	Front Shock Absorber(Right)	1	目前出口无此状态, 后期可增加	
10	340600-R201-001	侧反射器	Side Reflector	2		
11	5003-08030-LB00	内六角圆柱头螺钉M8*30	Screw,Inner Hex.Column Head	6		
12	5004-06012-BS01	内六角台阶螺钉	Stepping Screw,Inner Hex.	4		
13	350012-R201-001	上连板线钩	Clip,Upper Connecting Plate	1		
14	350012-R201-000	上连板线钩	Clip,Upper Connecting Plate	1		

15	370020-R201-000	上连接板	Connecting Plate, Upper	1		5
16	5018-15010-LB00	平垫φ15Xφ33X1	Washer,Flat	1		
17	5001-14030-YH00	六角法兰面螺栓M14×30	Bolt,Hex.Flange	1		
18	5010-25100-LB00	4槽调节螺母M25X1.0	Nut, Adjustable 4 Groove	1		
19	371100-R100-000	方向柱上防尘盖	Upper Cap,Steering Column Anti-Dust	1		10
20	370600-R100-000	方向上轴承	Bearing, Steering Column Upper	1		
21	370700-R100-000	方向下轴承	Bearing, Steering Column Lower	1		
22	371200-R100-000	方向柱下防尘盖	Lower Cap,Steering Column Anti-Dust	1		10
23	370100-R201-001	方向柱总成	Steering Column Assy	1		5
24	5008-08085-LB00	六角法兰面自锁螺母M8*1.25*8.5*14	Tapping Nut,Hex.Flange	2		
25	5018-08420-LB00	平垫 φ 8.4* φ 24*2	Washer,Flat	2		
26	420033-R201-000	方向把缓冲胶套	Handle Bar Rubber Cover	4		
27	5007-08012-LB00	双头螺柱	Column,dual screw head	2		
28	370001-R201-000	方向把下卡座	Holder, Handle Bar Lower	1		5
29	370002-R201-000	方向把上卡子	Clip, Handle Bar Upper	1		5
30	5003-08030-LB00	内六角圆柱头螺钉M8X30	Screw,Inner Hex.Column Head	4		
31	371301-R100-000	前减震油封	Front damping oil seal	2		
32	371302-R100-000	前减震防尘封	Front shock absorber and dustproof	2		

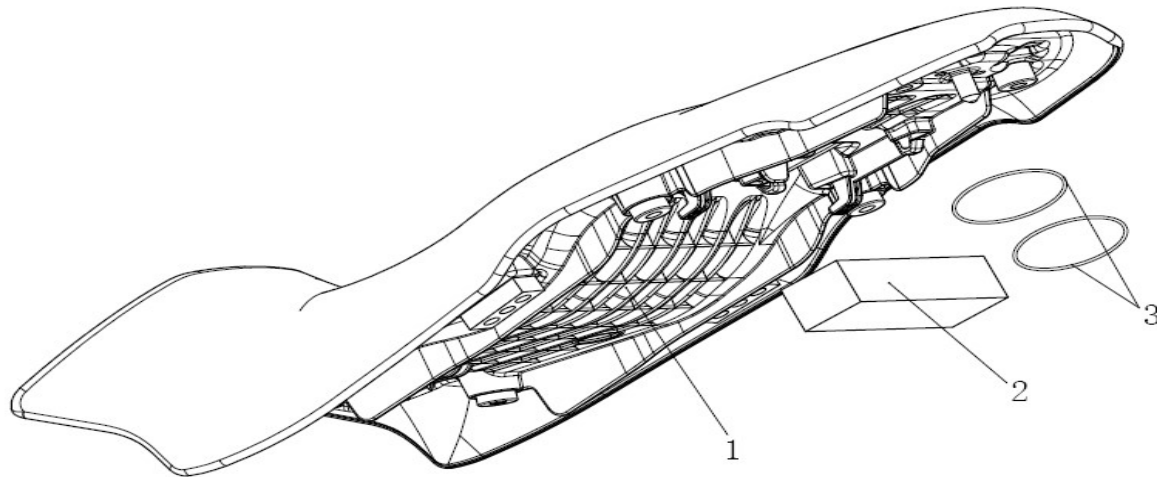
F-5方向把管总成 HANDLEBAR ASSEMBLY



序号	品号	品名/规格		数量	备注	订购数量
S/N.	Part NO.	Name/Specifications		Qty of Per Unit	Remarks	Order Qty
1	400100-R201-000	后视镜总成-左	Rear View Mirror(Left)	1		5
2	330900-R201-000	离合手柄总成	Lever,Clutch	1		5
3	380300-R201-000	方向把	Handle Bar	1		5
4	380100-R201-000	手把胶-左	Grip(Left),Handle Bar	1		5
5	380400-R100-001	方向把平衡锤	Balancer,Handle Bar	2		5

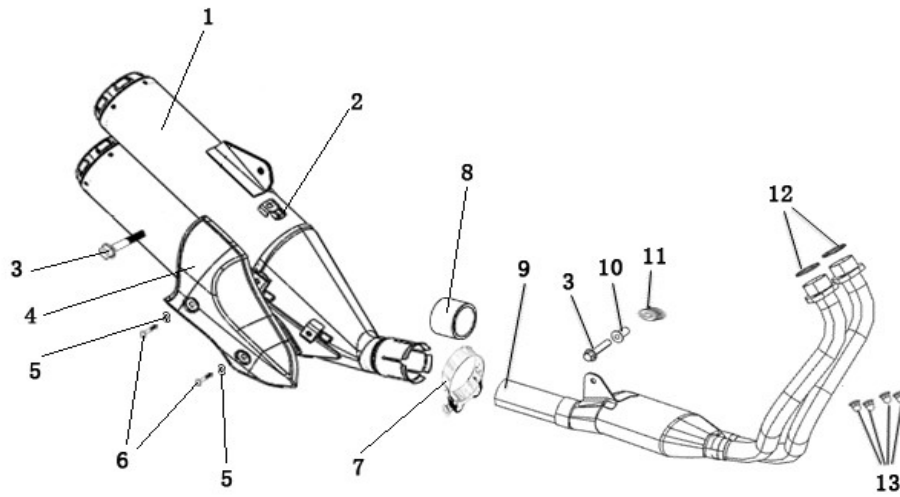
6	331000-R201-000	手把开关-左	Switch(Left),Handle Bar	1		5
7	331100-R201-00001	手把开关-右	Switch(Right),Handle Bar	1		5
8	380200-R201-000	手把胶总成-右	Grip(Right),Handle Bar	1		5
9	350200-R100-000	前制动泵(NEO SCRAMBLER Version/WILD	Bumper Assy,Front Brake	1		5
10	400200-R201-000	后视镜总成-右	Rear View Mirror(Right)	1		5
11	330901-R100-000	离合手柄卡座	Clutch handle holder	1		5
12	350202-R100-000	制动手柄卡座	Brake handle holder	1		5
13	350201-R100-000	前制动手柄	Front brake handle	1		5
14	310700-R201-000	油门拉索A	Throttle Cable(A)	1		
15	310800-R201-000	油门拉索B	Throttle Cable(B)	1		
16	380500-R201-000	离合拉索	Clutch Cable	1		

F-6座椅 SEAT



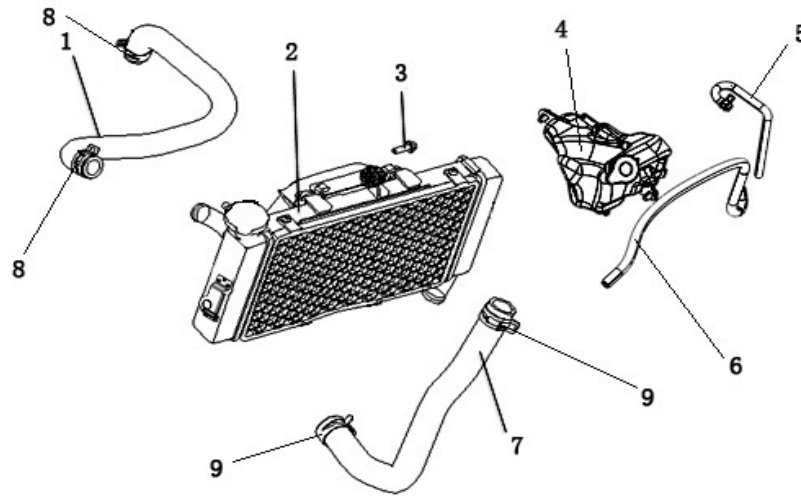
序号	品号	品名/规格		数量	备注	订购数量
S/N.	Part NO.	Name/Specifications		Qty of Per Unit	Remarks	Order Qty
1,1	360100-R201-B00	前座垫总成(黑色)	Seat Assy(Front)	1		5
1,2	360100-R201-Z00	前座垫总成(棕色)	Seat Assy(Front)	1		
2	400300-R100-000	随车工具	Hand Tool	1		
3	420035-R201-002	O型胶圈	Ring, Rubber O-Shaped	2		

F-7消声器总成 MUFFLER



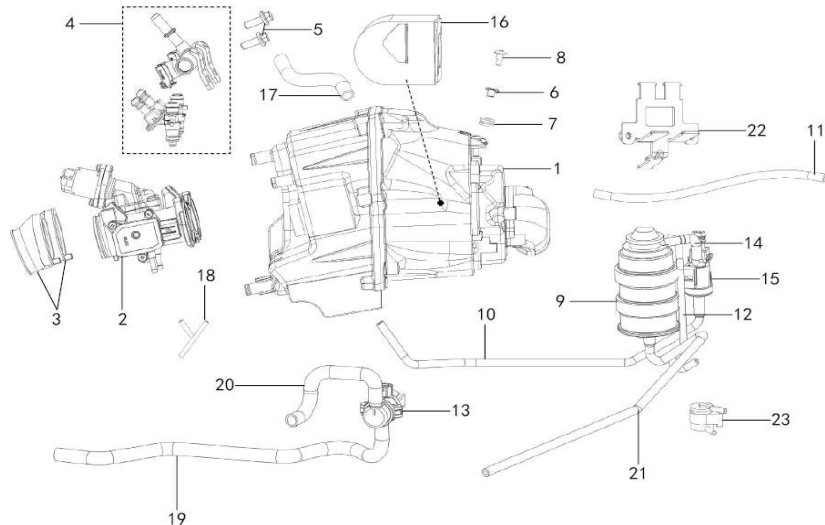
序号	品号	品名/规格		数量	备注	订购数量
S/N.	Part NO.	Name/Specifications		Qty of Per Unit	Remarks	Order Qty
1	320200-R201-00001	消声器后段总成	Rear Part,Muffler Assy	1		2
2	420010-R100-000	消声器护板缓冲胶垫	Buffer Cushion,Muffler Protecting Plate	1		
3	5001-08045-LB00	六角法兰面螺栓M8X45	Bolt,Hex.Flange	2		
4	390016-R201-000	消声器护罩	Muffler cover	1		5
5	5018-06026-BS00	波纹垫片φ6	Corrugated gasket Φ6	2		
6	5004-06012-DL00	内六角盘头螺钉M6	Hexagon socket pan head screw M6	2		
7	320201-R201-00000	抱箍49~52	Embrace hoop 49 ~ 52	1		10
8	320002-R100-000	消声器连接石棉垫	The muffler is connected to an asbestos pad	1		10
9	320100-R201-00002	消声器前段总成	Exhausting Pipe,Muffler Assy	1		2
10	5013-10028-LB00	翻边衬套 φ10Xφ24X28	Bushing,Flange	1		
11	420011-R100-000	消声器安装工字胶	Installment Rubber,Muffler I-Shaped	1		
12	320001-R100-000	消声器密封垫	Seal Gasket,Muffler Assy	2		10
13	5008-08165-LB00	盖形螺母M8	Cap Nut	4		

F-8冷却系统 COOLING SYSTEM



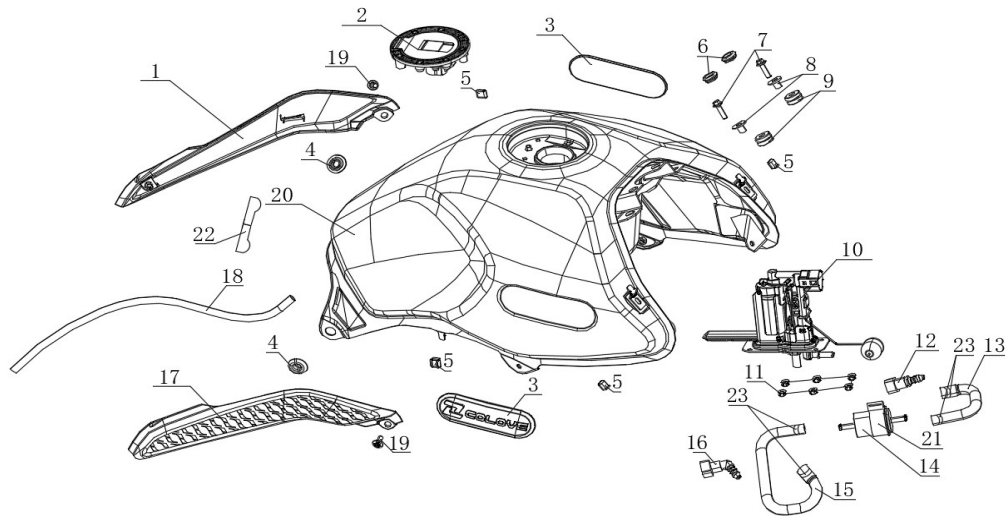
序号	品号	品名/规格		数量	备注	订购数量
S/N.	Part NO.	Name/Specifications		Qty of Per Unit	Remarks	Order Qty
1	420021-R100-000	出水管	Outlet Pipe	1		5
2	300100-R201-000	散热器总成	Radiator Assy	1		2
3	5001-06020-LB00	六角法兰面螺栓M6X20	Bolt,Hex.Flange	1		
4	300200-R201-000	储水壶总成	Cooling Tank Assy	1		5
5	420700-R201-00000	储水壶排水管	Drain Pipe,Cooling Tank Assy	1		
6	420027-R201-000	泄压管	Pressure Relif Pipe	1		
7	420020-R100-000	进水管	Inlet Pipe	1		5
8	5011-02700-DK00	簧片卡箍 ϕ 27	The reed clamp is ϕ 27	2		10
9	5011-03000-DK00	簧片卡箍 ϕ 30	The reed clamp is ϕ 30	2		10

F-9空滤系统 AIR FILTRATION SYSTEM



序号	品号	品名/规格	数量	备注	订购数量
S/N.	Part NO.	Name/Specifications	Qty of Per Unit	Remarks	Order Qty
1	320300-R100-00003	空滤器总成 Air Filter	1		
2	310100-R100-000	节气门总成 Throttle Body Assy	1		
3	320500-R100-000	进气管总成 Intake Pipe Assy	2		
4	310600-R100-000	油轨总成 Oil Rail Assy	1		
5	5001-06012-LB00	六角法兰面螺栓M6X12 Bolt,Hex.Flange	2		
6	5013-06008-LB01	翻边衬套 $\phi 6 \times \phi 9 \times \phi 18 \times 8.5$ Bushing,Flange	1		
7	420008-R100-000	工字胶圈 Ring, Rubber I-Shaped	1		
8	5001-06020-LB00	六角法兰面螺栓M6X20 Bolt,Hex.Flange	1		
9	320400-R100-000	碳罐 Carbon Canister	1		
10	420500-R201-00001	碳罐连接管4 Connecting pipe 4,Carbon Canister	1		
11	420200-R201-000	碳罐连接管1 Connecting pipe 1,Carbon Canister	1		
12	420300-R201-00001	碳罐连接管2 Connecting pipe 2,Carbon Canister	1		
13	320700-R201-00000	二次补气阀 Secondary air replenishment valve	1		
14	420400-R201-00002	碳罐连接管3 Connecting pipe 3,Carbon Canister	1		
15	320600-R100-000	碳罐电磁阀 Electromagnetic Valve,Carbon Canister	1		
16	320301-R100-000	空滤器滤芯 #NENÍ_K_DISPOZICI	1		
17	420100-R100-000	废气管 Exhausting Pipe	1		
18	420004-R100-000	三通管 T-branch Pipe	1		
19	420045-R201-00000	二次补气管 Secondary compensating pipe	1		
20	420045-R201-00001	二次补气管 Secondary compensating pipe	1		
21	421600-R201-00000	碳罐漏水管 Carbon tank leaking pipe	1		
22	350011-R201-B0900	碳罐支架 Bracket,Carbon Canister	1		
23	330500-R100-000	倾倒阀 Toppling Valve	1		

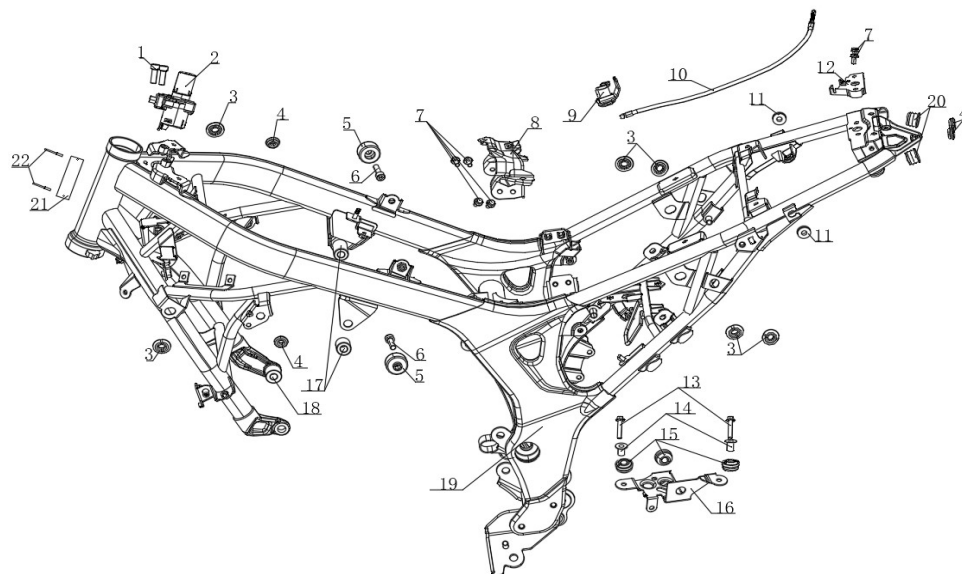
F-10油箱总成 FUEL TANK



序号	品号	品名/规格		数量	备注	订购数量
S/N.	Part NO.	Name/Specifications		Qty of Per Unit	Remarks	Order Qty
1	390024-R201-000	油箱侧护板-左	Side Protecting Plate(Left),Fuel Tank	1		
2	331800-R201-000	全车套锁总成 (油箱锁)	Lock Assy	1	含安装螺栓	
3,1	900300-R201-000	油箱标牌	Tank sign	2	瑞士	
3,2	900300-R201-00007	油箱标牌	Tank sign	2	捷克	
3,3	900300-R201-00006	油箱标牌	Tank sign	2	希腊	
4	420007-R100-001	腰形蘑菇头胶圈	Rubber Ring,Waist-Shaped Mushroom Head	2		
5	420010-R100-000	消声器护板缓冲胶	Buffer Cushion,Muffler Protecting Plate	4		
6	420037-R201-000	圆形蘑菇头胶圈	Rubber Ring,Circular Mushroom Head	2		
7	5001-06022-LB00	六角法兰面螺栓M6×22	Bolt,Hex.Flange	2		
8	5013-06011-LB00	翻边衬套	Bushing,Flange	2		
9	420008-R201-002	油箱前安装工字胶	Ring, Rubber I-Shaped	2		
10	310400-R201-000	燃油泵	Fuel Pump	1		5
11	5008-05050-LB00	六角法兰面螺母	Nut,Hex.Flange	6		
12	350100-R100-001	快速接头 (180°)	Connector	1		
13	420001-R100-000	燃油管1	Fuel Pipe 1	1		
14	310500-R100-000	燃油滤清器	Fuel Filter	1		
15	420002-R100-000	燃油管2	Fuel Pipe 2	1		
16	350100-R100-000	快速接头 (125°)	Connector	1		
17	390025-R201-000	油箱侧护板-右	Side Protecting Plate(Right),Fuel Tank	1		
18	420800-R100-000	油箱排水管	Drain Pipe, Fuel Tank	1		
19	5004-06012-BS01	内六角台阶螺钉	Stepping Screw,Inner Hex.	2		
20,1	310300-R201-G00	油箱 (墨绿)	Fuel Tank	1		2 (red+green)
20,2	310300-R201-R00	油箱 (宝石红)	Fuel Tank	1		
20,3	310300-R201-H00	油箱 (匹兹堡灰)	Fuel Tank	1		

20,4	310300-R201-H10	油箱 (矿石灰)	Fuel Tank	1	
20,5	310300-R201-B00	油箱 (黑色)	Fuel Tank	1	
21	310001-R100-000	燃油滤清器护套	Protector,Fuel Filter	1	
22	900005-R201-000	耐磨贴	Wear-resisting Label	1	
23	5011-01530-BS00	单耳无极卡箍	Clip	4	

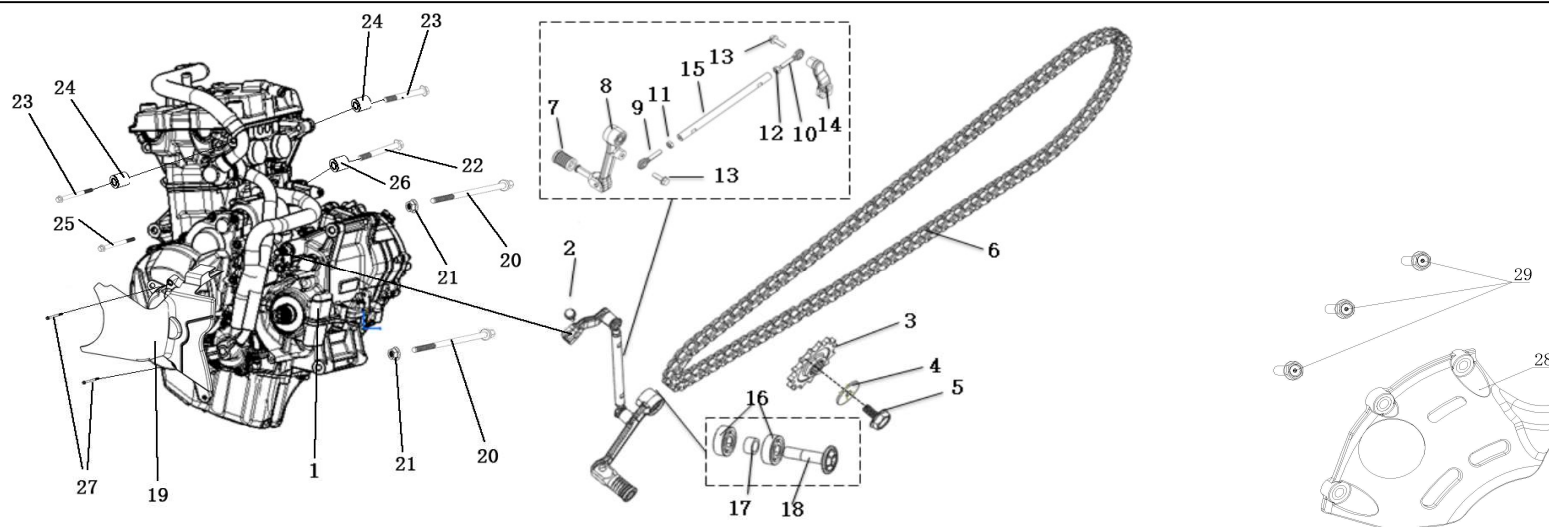
F-11车架 FRAME



序号	品号	品名/规格		数量	备注	订购数量
S/N.	Part NO.	Name/Specifications		Qty of Per Unit	Remarks	Order Qty
1	5001-08020-LB00	六角法兰面螺栓M8×20	Bolt,Hex.Flange	2		
2	331800-R201-000	全车套锁总成 (点火锁)	Lock Assy	1		
3	420007-R100-001	腰形蘑菇头胶圈	Rubber Ring,Waist-Shaped Mushroom Head	6		
4	420037-R201-000	圆形蘑菇头胶圈	Rubber Ring,Circular Mushroom Head	4		
5	420032-R201-000	油箱缓冲胶	Fuel Tank Buffer	2		
6	5003-08025-LB00	内六角圆柱头螺钉M8×25	Screw,Inner Hex.Column Head	2		
7	5001-06012-LB00	六角法兰面螺栓M6×12	Bolt,Hex.Flange	6		
8	360003-R100-000	座垫支架	Bracket, Seat	1		
9	331800-R201-000	全车套锁总成 (座垫锁)	Lock Assy	1		
10	380600-R201-000	座垫锁拉索	Seat Lock Cable	1		
11	420008-Q200-00000	工字胶圈	H aprons	2		
12	331800-R201-000	全车套锁总成 (座垫锁座)	Lock Assy	1		
13	5001-06030-LB01	六角法兰面螺栓M6×30	Bolt,Hex.Flange	2		
14	5013-06016-LB00	翻边衬套	Bushing,Flange	2		
15	420012-R100-000	ABS支架缓冲胶圈	Rubber Ring ,Buffer,ABS Bracket	3		
16	350008-R100-B00	ABS支架	Bracket,ABS	1		

17	910004-R100-001	衬套	Collar	2		
18	910004-R100-000	衬套	Collar	1		
19	360006-R201-B0902	车架焊接总成	Frame Assy	1		1
20	420031-R201-001	堵头	Plug	2		
21	900001-R201-00000	车架铭牌	Label,frame	1		
22	5015-03010-LB00	铆钉	Rivet	2		

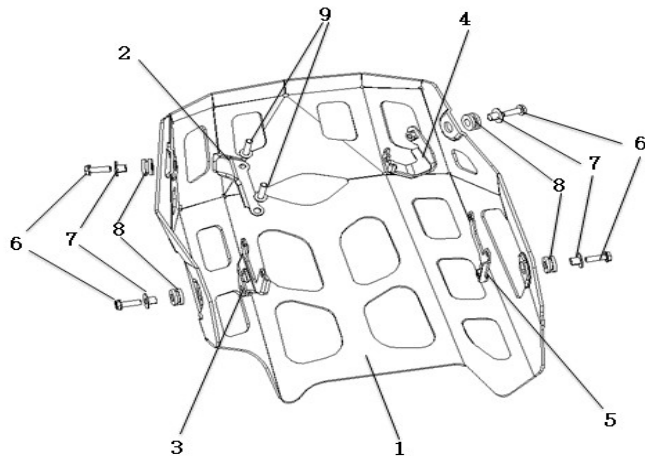
F-12发动机、链条、换挡杆 ENGINE、CHAIN、SHIFT LEVER



序号	品号	品名/规格		数量	备注	订购数量
S/N.	Part NO.	Name/Specifications		Qty of Per Unit	Remarks	Order Qty
1,1	AEBR06-H08	发动机总成	Engine Assy	1	希腊/瑞士	
1,2	AEBR07-H08	发动机总成	Engine Assy	1	捷克	
2	5001-06020-LB00	六角法兰面螺栓M6X20	Bolt,Hex.Flange	1		
3	350007-R100-000	小链轮	Sprocket (Front)	1		10
4	5018-10025-HX00	平垫φ10*φ37*2.5垫片	Flat gasket Φ10 * Φ37 *2.5 gasket	1		
5	5001-10022-LB00	六角法兰面螺栓M10X22	Hexagon flange bolt M10X22	1		
6,1	352300-R100-000	链条 112节(NEO SCRAMBLER Version/CIT)	Chain	1		5
6,2	352300-R202-000	链条 114节(WILD Version)	Chain	1		
7	420013-R100-000	换挡杆胶套	Rubber Cover,Gear Shift Lever	1		3
8	370200-R100-000	换挡踏板总成	Pedal,Gear Shift Assy	1		3
9	371600-R100-000	换挡杆端轴承 (右旋)	Bearding,Gear Shift Lever	1		
10	371600-R100-001	换挡杆端轴承 (左旋)	Bearding,Gear Shift Lever	1		
11	5008-06050-LB00	M6螺母 (右旋)	Bolt,Hex	1		
12	5008-06050-BS00	M6螺母 (左旋)	Bolt,Hex	1		
13	5001-06020-LB00	六角法兰面螺栓M6X20	Bolt,Hex.Flange	2		
14	370008-R100-000	换挡摇臂	Rocker Arm, Gear Shift	1		
15	370007-R100-000	换挡拉杆	Drawbar, Gear Shift	1		

16	5101-082207-BS0	轴承	Bearing	2	
17	910004-R100-002	衬套 φ8*φ12*6	Collar	1	
18	5001-08035-LB00	六角法兰面螺栓M8X35	Bolt,Hex.Flange	1	
19	390023-R100-B00	发动机小链轮盖	Cover,Engine Sprocket	1	
20	5001-10150-LB00	六角法兰面螺栓M10X150	Bolt,Hex.Flange	2	
21	5008-10115-LB00	六角法兰面自锁螺母M10	Tapping Nut,Hex.Flange	2	
22	5001-10055-LB00	六角法兰面螺栓M10X55	Bolt,Hex.Flange	1	
23	5001-10060-LB00	六角法兰面螺栓M10X60	Bolt,Hex.Flange	2	
24	910004-R100-001	衬套φ10*φ22*35	Collar	2	
25	5001-10035-LB00	六角法兰面螺栓M10X35	Bolt,Hex.Flange	1	
26	910004-R100-000	衬套φ10*φ24*20	Collar	1	
27	5001-06020-LB00	六角法兰面螺栓M6X20	Bolt,Hex.Flange	2	
28	390018-R100-B00	发动机防烫罩	Cover, Engine Anti-Burning	1	
29	5001-06040-LB00	六角法兰面螺栓	Bolt,Hex.Flange	3	

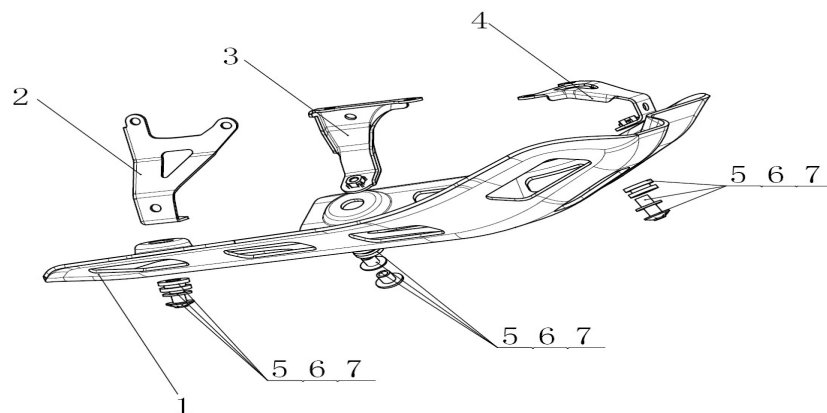
F-13.1发动机下护板 ENGINE LOWER GUARD PLATE (WILD Version) (WILD verison)



序号	品号	品名/规格		数量	备注	订购数量
S/N.	Part NO.	Name/Specifications		Qty of Per Unit	Remarks	Order Qty
1	390029-R100-000	发动机下护板	Protecting Plate, Engine	1	目前出口无此状态, 后期可增加	
2	360015-R100-B00	发动机下护板左前支架	Bracket(Front Left), Engine Protecting Plate	1	目前出口无此状态, 后期可增加	
3	360017-R100-B00	发动机下护板左后支架	Bracket(Rear Left), Engine Protecting Plate	1	目前出口无此状态, 后期可增加	
4	360016-R100-B00	发动机下护板右前支架	Bracket(Front Right), Engine Protecting Plate	1	目前出口无此状态, 后期可增加	
5	360018-R100-B00	发动机下护板右后支架	Bracket(Rear Right), Engine Protecting Plate	1	目前出口无此状态, 后期可增加	
6	5001-06020-LB00	六角法兰面螺栓M6X20	Bolt,Hex.Flange	4	目前出口无此状态, 后期可增加	
7	5013-06008-LB01	翻边衬套 φ6Xφ18X8	Bushing,Flange	4	目前出口无此状态, 后期可增加	
8	420008-R100-000	工字胶圈	Ring, Rubber I-Shaped	4	目前出口无此状态, 后期可增加	

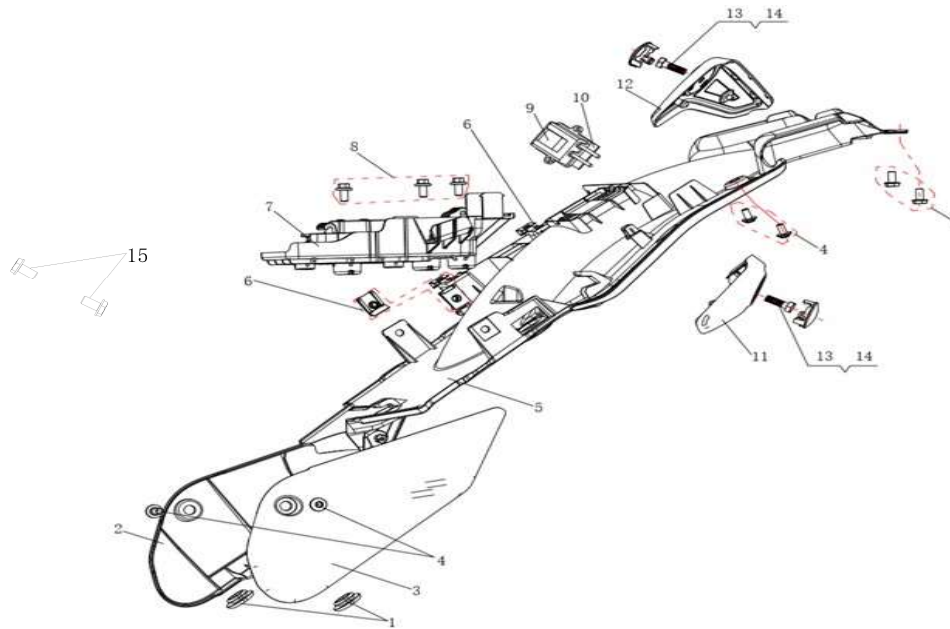
9	5001-06030-LB01	六角法兰面螺栓M6X30	Bolt,Hex.Flange	2	目前出口无此状态, 后期可增加
---	-----------------	--------------	-----------------	---	-----------------

F-13.2发动机下护板 ENGINE LOWER GUARD PLATE (NEO SCRAMBLER Version/CITY Version) (SCRAMBLER version/CITY version)



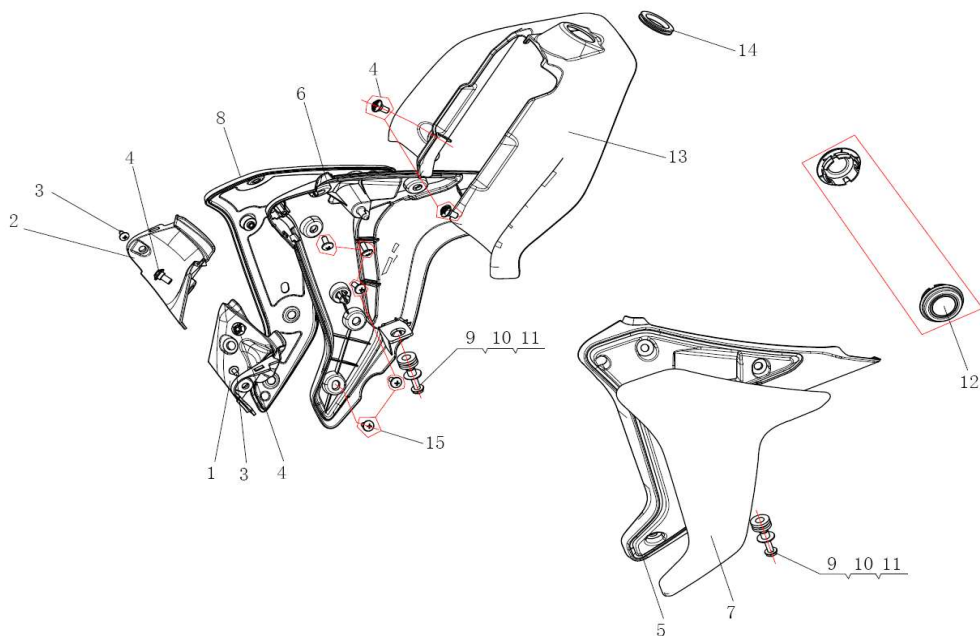
序号	品号	品名/规格		数量	备注	订购数量
S/N.	Part NO.	Name/Specifications		Qty of Per Unit	Remarks	Order Qty
1	390029-R201-000	发动机下护板	Protecting Plate, Engine	1		5
2	360018-R201-000	发动机下护板右后支架	Bracket(Rear Right), Engine Protecting Plate	1		3
3	360017-R201-000	发动机下护板左后支架	Bracket(Rear Left), Engine Protecting Plate	1		3
4	360025-R201-000	发动机下护板前支架	Bracket(Front), Engine Protecting Plate	1		3
5	5001-06020-LB00	六角法兰面螺栓M6X20	Bolt,Hex.Flange	3		
6	5013-06008-LB01	翻边衬套 φ6Xφ18X8	Bushing,Flange	3		
7	420008-R100-000	工字胶圈	Ring, Rubber I-Shaped	3		

F-14后挡泥板、电池盒、尾盖 REAR FENDER、BATTERY CASE、TAIL COVER



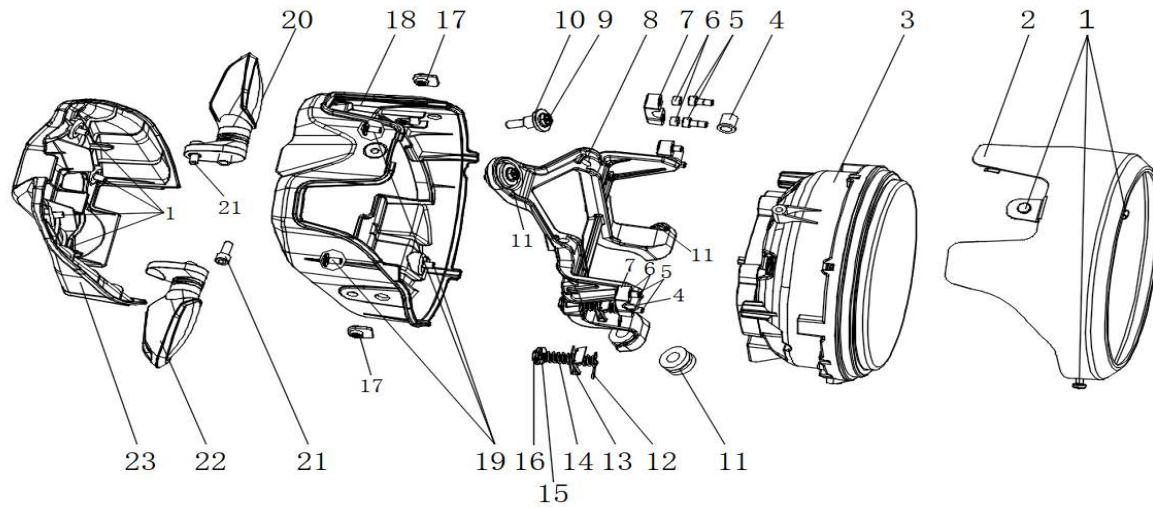
序号	品号	品名/规格		数量	备注	订购数量
S/N.	Part NO.	Name/Specifications		Qty of Per Unit	Remarks	Order Qty
1	420007-R100-001	腰形蘑菇头胶圈	Rubber Ring,Waist-Shaped Mushroom Head	2		
2	390033-R201-000	侧盖-右	Side Cover(Right)	1		3
3	390032-R201-000	侧盖-左	Side Cover(Left)	1		3
4	5004-06012-BS01	内六角台阶螺钉M6X12	Stepping Screw,Inner Hex.	4		
5	390019-R201-000	后挡泥前段	Front Part,Rear Fender	1		3
6	5009-05070-LB00	螺纹夹板	Clip, Screw Thread	4		
7	390017-R201-000	电瓶盒	Case, Battery	1		5
8	5001-06012-LB00	六角法兰面螺栓	Bolt,Hex.Flange	5		
9	332100-R201-000	电源转换器	Power Converter	1		
10	920010-R201-000	3M双面胶	3 m double-sided adhesive	1		
11	390056-R201-000	车架装饰件-左	Frame Decoration(Left)	1		
12	390057-R201-000	车架装饰件-右	Frame Decoration(Right)	1		
13	5001-08012-LB00	六角法兰面螺栓	Bolt,Hex.Flange	2		
14	390046-R201-000	车架装饰件盖板	Decorative Cover Plate,Frame	2		
15	5001-05016-LB00	六角法兰面螺栓	Bolt,Hex.Flange	2		

F-15油箱下护板、油箱下护板装饰件 FUEL TANK LOWER COVER、DECORATIVE COVER FOR LOWER COVER OF TANK



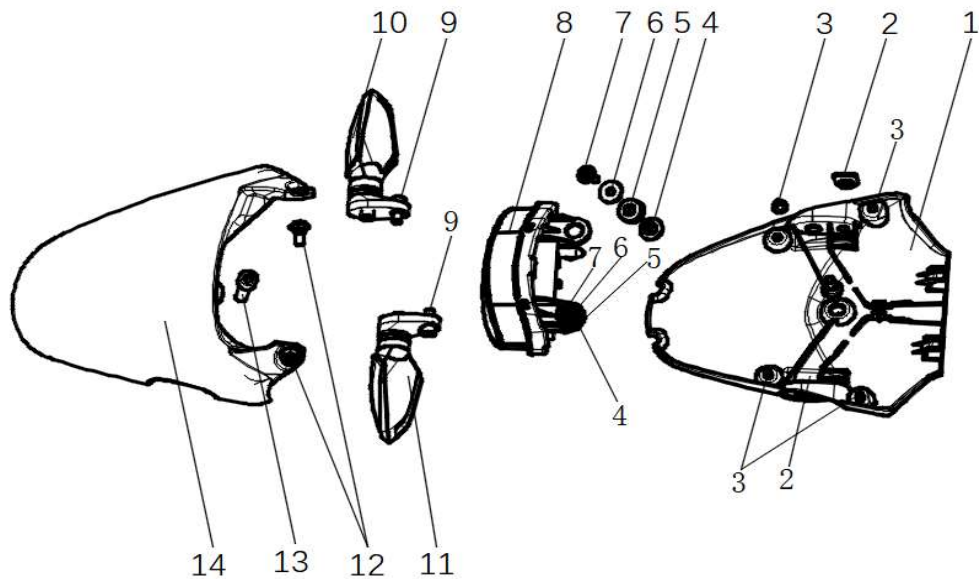
序号	品号	品名/规格		数量	备注	订购数量
S/N.	Part NO.	Name/Specifications		Qty of Per Unit	Remarks	Order Qty
1	390048-R201-000	挡风罩-左	Wind Shied(Left)	1		
2	390049-R201-000	挡风罩-右	Wind Shield(Right)	1		5
3	5006-04013-HX00	自攻螺钉头M4.2X13	Tapping Screw	2		
4	5004-06012-BS01	内六角台阶螺钉M6X12	Stepping Screw,Inner Hex.	4		
5	390030-R201-000	油箱下护板-左	Lower Protecting Plate(Left),Fuel Tank	1		5
6	390031-R201-000	油箱下护板-右	Lower Protecting Plate(Right),Fuel Tank	1		5
7,1	390038-R201-000	油箱下护板装饰件-左	Decorating Plate(Left),Fuel Tank Lower Protecting	1	瑞士	5 (RVM mark)
7,2	390038-R201-00005	油箱下护板装饰件-左	Decorating Plate(Left),Fuel Tank Lower Protecting	1	捷克	
7,3	390038-R201-00004	油箱下护板装饰件-左	Decorating Plate(Left),Fuel Tank Lower Protecting	1	希腊	
8,1	390039-R201-000	油箱下护板装饰件-右	Protecting Plate(Right),Fuel Tank Lower Protecting	1	瑞士	5 (RVM mark)
8,2	390039-R201-00005	油箱下护板装饰件-右	Protecting Plate(Right),Fuel Tank Lower Protecting	1	捷克	
8,3	390039-R201-00004	油箱下护板装饰件-右	Protecting Plate(Right),Fuel Tank Lower Protecting	1	希腊	
9	5001-06020-LB00	六角法兰面螺栓M6X20	Bolt,Hex.Flange	2		
10	5013-06008-LB00	翻边衬套 φ6Xφ18X8	Flanging bushing Φ6x Φ18x8	2		
11	420008-R100-000	工字胶圈	Ring, Rubber I-Shaped	2		
12	390047-R201-000	平叉轴装饰盖板	Decorative Cover Plate,Rear Arm Axle	2		
13	390045-R201-000	点火锁盖	Cap,Ignition Lock	1		2
14	420008-R201-001	工字胶圈	Ring, Rubber I-Shaped	1		
15	5005-05012-HX00	十字盘头螺钉	Screw, Cross-Shaped,Cup Head	10		

F-16前照灯 HEADLAMP



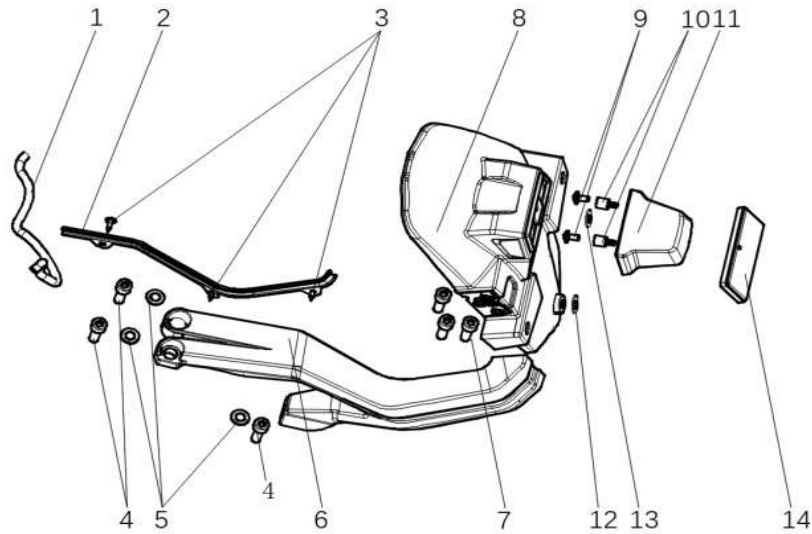
序号	品号	品名/规格		数量	备注	订购数量
S/N.	Part NO.	Name/Specifications		Qty of Per Unit	Remarks	Order Qty
1	5004-05012-BS00	内六角盘头螺钉	Screw,Inner Hex.Flat Head	7		
2	390012-R201-000	前大灯壳	Cover,Headlight	1		5
3	340100-R201-000	前大灯总成	Headlight	1		5
4	420036-R201-000	大灯支架胶套	Rubber,Headlight Bracket	2		
5	5003-05012-LB00	内六角圆柱头螺钉	Hexagon socket socket head screws	4		
6	910004-R201-000	衬套	Collar	4		
7	360022-R201-000	大灯支架压板	Press-plate,Headlight Bracket	2		
8	360014-R201-000	大灯支架	Bracket, Headlight	1		5
9	5004-06020-BS01	内六角盘头螺钉	Screw,Inner Hex.Flat Head	1		
10	5013-06011-LB00	翻边衬套	Bushing,Flange	1		
11	420008-R201-003	工字胶圈	Ring, Rubber I-Shaped	3		
12	5015-03020-LB00	开口销	Pin,Split	1		
13	5009-06080-LB00	螺纹夹板	Clip, Screw Thread	1		
14	5012-01036-LB00	大灯调节弹簧	Adjusting Spring,Headlight	1		
15	5018-06015-LB00	平垫	Washer,Flat	1		
16	5007-06040-BS00	大灯调节螺钉	Headlight Adjusting Screw	1		
17	390400-R201-001	前转向灯固定卡	Fixed Clip,Front Turning Light	2		
18	390053-R201-000	前大灯后板	Rear Plate,Headlight	1		5
19	5005-05012-HX00	十字盘头螺钉	Screw, Cross-Shaped,Cup Head	3		
20	340800-R201-000	前转向灯-左	Front Turning Light(Left)	1		10
21	5003-06020-BS00	内六角圆柱头螺钉	Screw,Inner Hex.Column Head	2		
22	340900-R201-000	前转向灯-右	Front Turning Light(Right)	1		10
23	390054-R201-000	前大灯后板装饰盖	Decorative Cover,Rear Plate,Headlight	1		5

F-17尾灯、转向灯、牌照灯1 TAILLIGHT、CORMERING LAMP、LICENSE PLATE LAMP 1



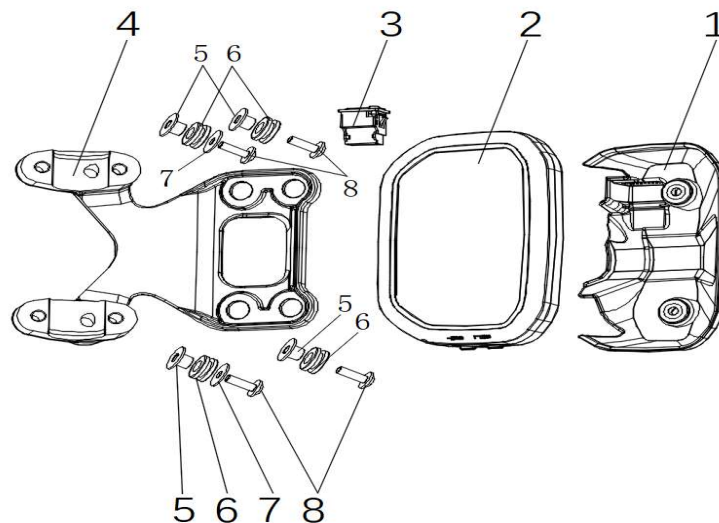
序号	品号	品名/规格		数量	备注	订购数量
S/N.	Part NO.	Name/Specifications		Qty of Per Unit	Remarks	Order Qty
1	390020-R201-000	后挡泥后段	Rear Part,Rear Fender	1		3
2	390400-R201-001	前转向灯固定卡	Fixed Clip,Front Turning Light	2		
3	5006-04013-HX00	自攻钉	Tapping Screw	4		
4	5013-05008-LB01	翻边衬套	Bushing,Flange	2		
5	420008-R201-000	工字胶圈	Ring, Rubber I-Shaped	2		
6	5018-05515-LB00	平垫	Washer,Flat	2		
7	5005-05020-LB00	十字盘头螺钉	Screw, Cross-Shaped,Cup Head	2		
8	340200-R201-000	尾灯总成	Tail Light	1		5
9	5003-06020-BS00	内六角圆柱头螺钉	Screw,Inner Hex.Column Head	2		
10	341000-R201-000	后转向灯-左	Rear Turning Light(Left)	1		10
11	341100-R201-000	后转向灯-右	Rear Turning Light(Right)	1		10
12	5004-06012-BS01	内六角台阶螺钉	Stepping Screw,Inner Hex.	2		
13	5004-06016-BS01	内六角台阶螺钉	Stepping Screw,Inner Hex.	1		
14,1	390004-R201-G00	尾盖(墨绿)	Cap, Rear Tail	1		2 (red + green)
14,2	390004-R201-B00	尾盖(珠光黑)	Cap, Rear Tail	1		
14,3	390004-R201-R00	尾盖(宝石红)	Cap, Rear Tail	1		
14,4	390004-R201-H00	尾盖(匹兹堡灰)	Cap, Rear Tail	1		
14,5	390004-R201-H10	尾盖(矿石灰)	Cap, Rear Tail	1		

F-18尾灯、转向灯、牌照灯2 TAILLIGHT、CORMERING LAMP、LICENSE PLATE LAMP 2



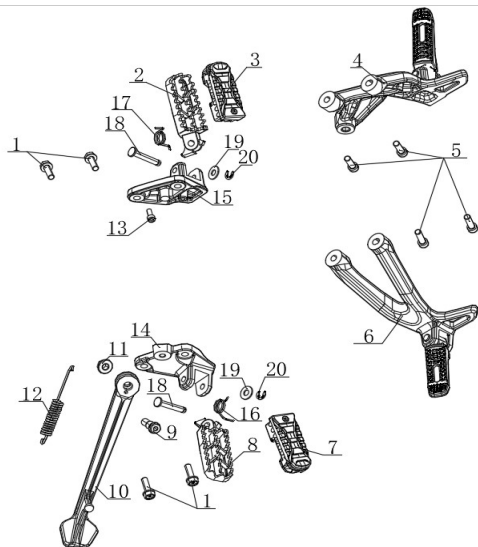
序号	品号	品名/规格		数量	备注	订购数量
S/N.	Part NO.	Name/Specifications		Qty of Per Unit	Remarks	Order Qty
1	330003-R201-000	后牌照灯转接线	Rear plate light switch wiring	1		
2	390044-R201-000	牌照灯压线板	License Light,Press Plate	1		
3	5006-03012-LB00	自攻钉	Tapping Screw	3		
4	5003-06025-LB00	内六角圆柱头螺钉	Screw,Inner Hex.Column Head	3		
5	5013-08010-LB00	翻边衬套	Bushing,Flange	3		
6	390022-R201-000	后轮小挡泥板支架	Bracket,Rear Wheel Small Fender	1		5
7	5003-06025-LB00	内六角圆柱头螺钉	Screw,Inner Hex.Column Head	3		
8	390021-R201-000	后轮小挡泥板	Small Fender, Rear Wheel	1		5
9	5005-04006-BS00	十字半圆头螺钉	Screw, Cross-Shaped,Half Cup Head	2		
10	420034-R201-000	后牌照灯安装柱	Rear Plate light Column	2		
11	340300-R201-000	牌照灯总成	License Light Assy	1		5
12	420009-R100-000	后牌照缓冲胶	Rear Licence Cushion	1		
13	420038-R201-000	牌照灯过线胶圈	Rubber ring,license plate	1		
14	340700-R102-000	后反射器	Rear Reflector	1		

F-19仪表 METER



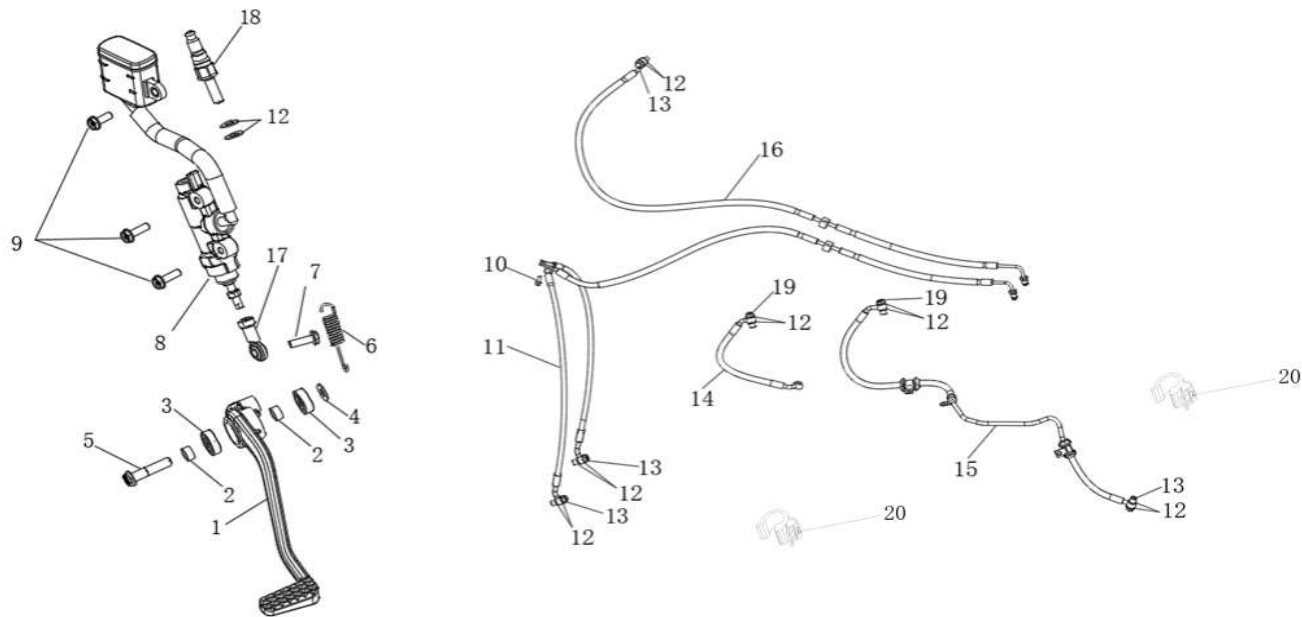
序号	品号	品名/规格		数量	备注	订购数量
S/N.	Part NO.	Name/Specifications		Qty of Per Unit	Remarks	Order Qty
1,1	390013-R201-000	仪表壳	Speed Meter Cover	1	瑞士	2
1,2	390013-R201-00001	仪表壳	Speed Meter Cover	1	希腊/西班牙	
2	330800-R201-000	仪表总成	Speedometer Assy	1		2
3	331300-R201-000	USB充电器	USB Charger	1		
4	370001-R201-000	方向把下卡座	Holder, Handle Bar Lower	1		3
5	5013-05008-LB01	翻边衬套	Bushing, Flange	4		
6	420008-R201-000	工字胶圈	Ring, Rubber I-Shaped	4		
7	5018-05515-LB00	平垫	Washer, Flat	2		
8	5005-05020-LB00	十字盘头螺钉	Screw, Cross-Shaped, Cup Head	4		

F-20前/后脚踏、侧支架、主支架 FRONT&REAR FOOTREST、SIDE STAND、MAIN STAND



序号	品号	品名/规格		数量	备注	订购数量
S/N.	Part NO.	Name/Specifications		Qty of Per Unit	Remarks	Order Qty
1	5001-08030-LB00	六角法兰面螺栓M8×30	Bolt,Hex.Flange	4		
2	370400-R201-000	前脚踏-右	Front Footrest(Right)	1		5
3	371900-R201-000	前脚踏胶-右	Rubber,Front Footrest(Right)	1		5
4	371000-R201-000	后脚踏总成-右	Rear Footrest(Right)	1		5
5	5003-08035-LB00	内六角圆柱头螺钉M8×35	Screw,Inner Hex.Column Head	4		
6	370900-R201-000	后脚踏总成-左	Rear Footrest(Left)	1		5
7	371800-R201-000	前脚踏胶-左	Rubber,Front Footrest(Left)	1		5
8	370300-R201-000	前脚踏-左	Front Footrest(Left)	1		5
9	5007-10043-LB00	侧支架专用螺栓	Bolt,Side Stand	1		
10,1	370013-R201-000	侧支架(NEO SCRAMBLER Version/CITY Ve	Side Stand	1		
10,2	370013-R100-000	侧支架(WILD Version)	Side Stand	1		
11	5008-10115-LB00	六角法兰面自锁螺母	Tapping Nut,Hex.Flange	1		
12	360020-R100-001	侧支架簧	Spring,Side Stand	1		
13	5003-06025-LB00	内六角圆柱头螺钉M6×25	Screw,Inner Hex.Column Head	1		
14	370005-R201-000	前脚踏支架-左	Bracket(Left),Front Footrest	1		5
15	370006-R201-000	前脚踏支架-右	Bracket(Right),Front Footrest	1		5
16	370003-R100-000	脚踏扭簧-左	Footrest,Torsional Spring(Left)	1		5
17	370004-R100-000	脚踏扭簧-右	Footrest,Torsional Spring(Right)	1		5
18	370014-R100-000	销	Pin	2		10
19	5018-08515-BS00	垫片	Washer	2		
20	5020-00710-BS00	卡簧	Circlip	2		

F-21制动系统 BRAKE ASSEMBLY



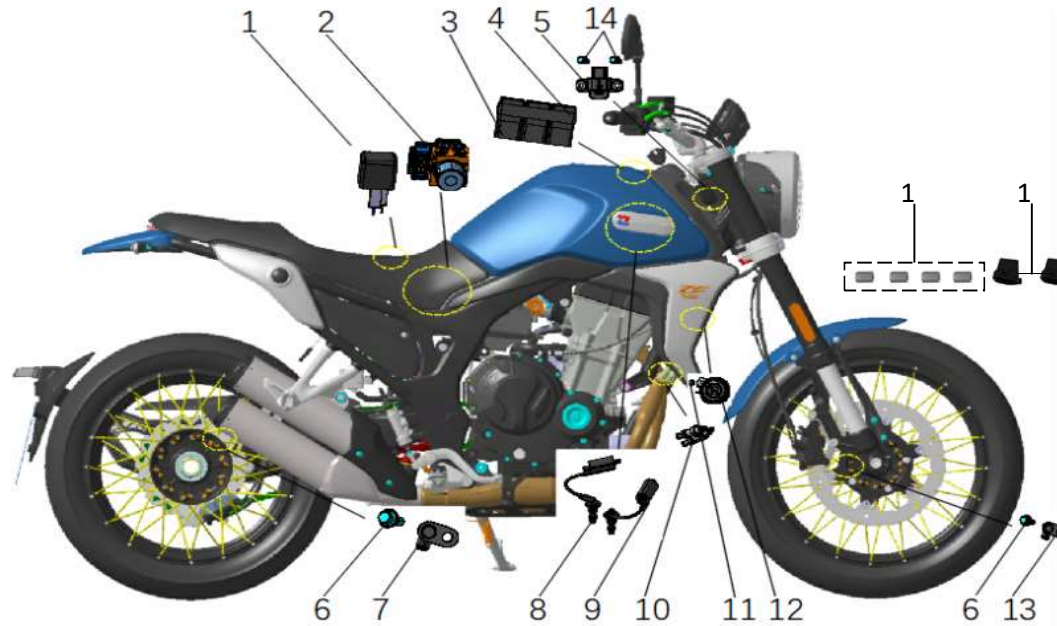
序号	品号	品名/规格		数量	备注	订购数量
S/N.	Part NO.	Name/Specifications		Qty of Per Unit	Remarks	Order Qty
1	370010-R201-000	刹车摇臂	Rocker Arm,Brake	1		10
2	910004-R100-002	衬套 φ8*φ12*6	Collar	2		
3	5101-082207-BS0	轴承	Bearing	2		
4	5018-08012-BS00	平垫 φ8*φ16*1.2	Washer,Flat	1		
5	5001-08035-LB00	六角法兰面螺栓M8X35	Bolt,Hex.Flange	1		
6	360021-R100-000	刹车复位簧	Reset Spring,Brake	1		
7	5001-06020-LB00	六角法兰面螺栓M6X20	Bolt,Hex.Flange	1		
8	350600-R100-000	后制动泵总成 (NEO SCRAMBLER Version)	Pump,Rear Brake	1		5
9	5001-06012-LB00	六角法兰面螺栓M6X12	Bolt,Hex.Flange	3		
10	5003-06016-BS00	内六角圆柱头螺钉M6*16	Screw,Inner Hex.Column Head	1		
11,1	350900-R201-001	制动油管2 (NEO SCRAMBLER Version/CI)	Brake Tubing(2)	1		
11,2	350900-R202-001	制动油管2 (WILD Version)	Brake Tubing(2)	1	目前出口无此状态, 后期可增加	
12	350002-R100-000	铜垫圈	Copper Washer	14		
13	350001-R100-001	过油螺栓M10X1.25X22	Oil Bolt	4		
14	351100-R100-000	制动油管4	Brake Tubing(4)	1		
15	351100-R201-000	制动油管4	Brake Tubing(4)	1		
16	350800-R201-001	制动油管1	Brake Tubing(1)	1		
17	352200-R100-000	后制动杆端轴承	Bearing,rear brake bar	1		
18	350700-R100-000	后制动开关	Rear Brake Switch	1		
19	350001-R100-000	过油螺栓	Oil Bolt	2		
20	350004-R100-000	双线卡	Clip, dual wires	10		

F-22电器1 ELECTRIC PARTS 1



序号	品号	品名/规格		数量	备注	订购数量
S/N.	Part NO.	Name/Specifications		Qty of Per Unit	Remarks	Order Qty
1	331800-R201-000	全车套锁总成	Lock Assy	1		
2	331400-R100-000	电瓶	Battery	1		
3	420900-R100-000	电瓶绑带	Band, Battery	1		
4	332100-R201-000	电源转换器	Power Converter	1		
5	5001-05016-LB00	六角法兰面螺栓	Bolt,Hex.Flange	2		
6	310200-R100-000	ECU	ECU	1		
7	330100-R100-000	启动继电器	Starter Relay Assy	1		
8	5001-06030-LB00	六角法兰面螺栓M6X30	Hexagon flange bolt M6X30	2		
9	330200-R100-000	调压整流器	Rectifier & Regulator Assy	1		
10	5018-06015-LB00	平垫φ6Xφ18X1.5	Washer,Flat	1		
11	370500-R100-000	侧支架熄火开关	Engine Cutoff Switch,Side Stand	1		5
12	5004-06020-BS01	内六角盘头螺钉	Screw,Inner Hex.Flat Head	1		
13	331700-R201-00001	主电缆	Wire Harness Assy	1		2
14	900019-R201-00000	ECU版本标贴	ECU version label	1		

F-22电器2 ELECTRIC PARTS 2



序号	品号	品名/规格		数量	备注	订购数量
S/N.	Part NO.	Name/Specifications		Qty of Per Unit	Remarks	Order Qty
1	330700-R100-000	闪光器	Flasher	1		
2,1	351300-R201-000	ABS总成 (NEO SCRAMBLER Version/CITY Version)	ABS Assy	1		
2,2	351300-R100-000	ABS总成 (WILD Version)	ABS Assy	1	目前出口无此状态, 后期可增加	
3	331600-R100-000	继电器	Relay Assy	3		
4	420029-R100-000	继电器胶套	Rubber Cover,Relay Assy	1		
5	332000-R201-000	侧倾传感器	Sensor,Toppling	1		
6	5001-06012-LB00	六角法兰面螺栓M6X12	Bolt,Hex.Flange	2		
7	351600-R201-000	后轮速传感器	Sensor,Rear Wheel Speed	1		5
8	330300-R100-000	点火线圈-左	Ignition(Left)	1		2
9	330400-R100-000	点火线圈-右	Ignition(Right)	1		2
10	310900-R100-000	氧传感器	Sensor,Oxygen	2		5
11	5001-06012-LB00	六角法兰面螺栓	Bolt,Hex.Flange	1		
12	330600-R100-000	喇叭	Horn	1		
13	351500-R201-000	前轮速传感器	Sensor,Front Wheel Speed	1		5